

RK05
disk drive
engineering drawings

R. Tinga,
23701.

digital equipment corporation • maynard, massachusetts

CUSTOMER PRINT SET INDEX

THIS IS PRINT SET

DRAWING DIRECTORY
MODULE UTILIZATION LIST
READ/WRITE
INDEX SECTOR
CONTROL & INTERLOCK
TRACK ADDRESS DIFFERENCE
POSITION SERVO PREAMP
SERVO POWER AMP CIRCUIT
SERVO POWER AMP
CONTROL PANEL CIRCUIT
CONTROL PANEL
RELAY BOARD CIRCUIT
DECPACK MOTOR RELAYS
CHASSIS WIRING
ACCESSORY LIST
POWER SUPPLY (H743)
WIRE LIST

SEQUENCE

E-DD-RK05-0 SHEET #1 ONLY
C-MU-RK05-0-2
D-CS-G180-0-1
D-CS-M7700-0-1
D-CS-M7702-0-1
D-CS-M7701-0-1
D-CS-G938-0-1
D-CS-H604-0-1
E-UA-H604-0-0
D-CS-5409698-0-1
E-IA-5409698-0-0
D-CS-5409574-0-1
E-IA-5409574-0-0
D-BD-RK05-0-1
A-AL-RK05-0-17
B-DD-H743-0
K-WL-RK05-0-3

SEQUENCE

MFG. PRINT SET
MODULE UTILIZATION (PL)
RK05 TESTER
DECPACK ASSY
DECPACK ASSY (PL)
WIRED ASSY
LINEAR POSITIONER ASSY
LINEAR POSITIONER ASSY (PL)
H743 POWER SUPPLY
A-PL-RK05-0-2
B-DD-RK05-T
D-UA-RK05-0-0
A-PL-RK05-0-0
D-AD-7008696-0-0
D-AD-7008702-0-0
A-PL-7008702-0-0
B-DD-H743-0

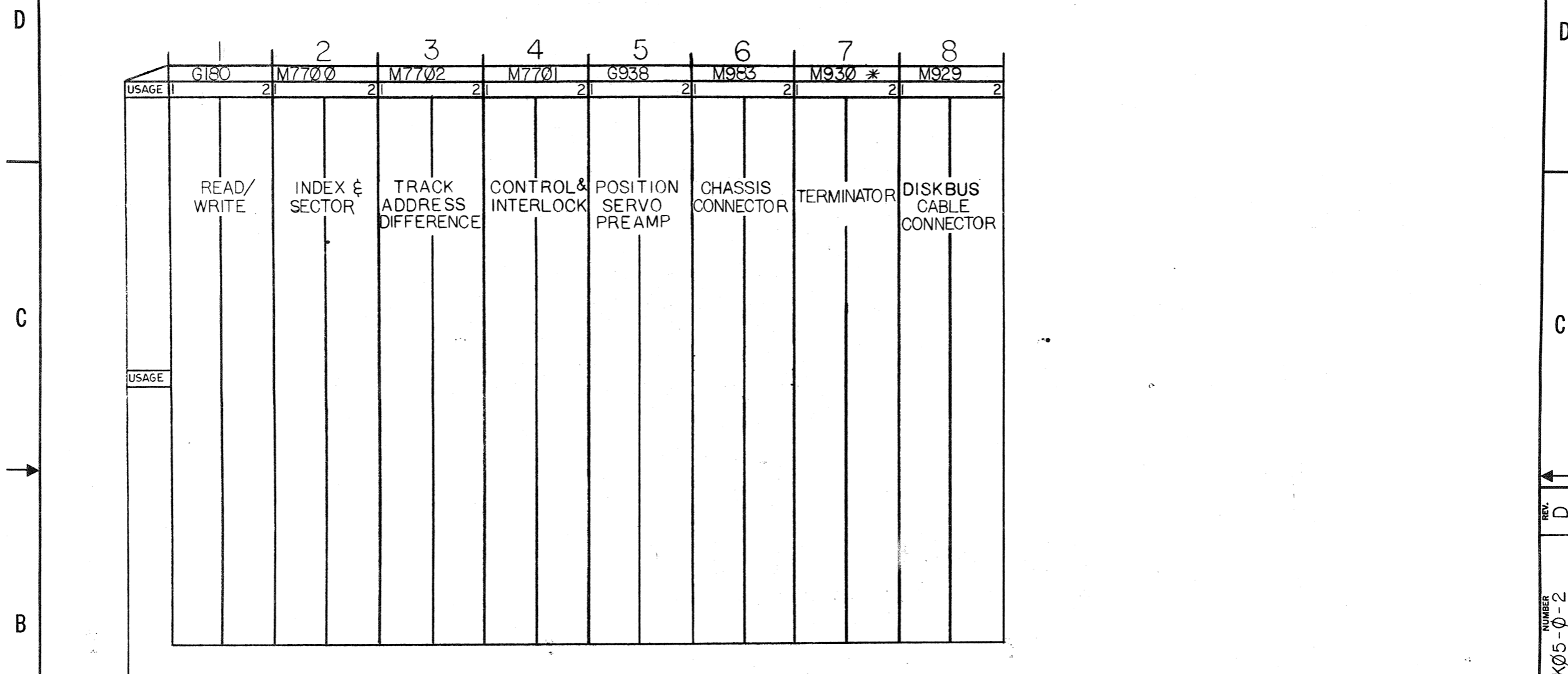
| UNIT VARIATIONS | | PRINT SET TYPE | | | |
|-----------------|----------------------------------|----------------|--|--|--|
| VARIATION | TITLE | RK05-0 | | | |
| RK05-AA | DECPACK 115V 60HZ | X | | | |
| RK05-AB | DECPACK 230V 60HZ | X | | | |
| RK05-BA | DECPACK 115V 50HZ | X | | | |
| RK05-BB | DECPACK 230V 50HZ | X | | | |
| RK05-CA | RK05-AA, H967 | | | | |
| RK05-CD | RK05-BB, H967 | | | | |
| RK05-DE | RK05-AA, H960, 861 POWER CONTROL | | | | |
| RK05-DF | RK05-AB, H960, 861 | | | | |
| RK05-DH | RK05-BA, H960, 861 | | | | |
| RK05-DJ | RK05-BB, H960, 861 | | | | |

| REVISIONS | CHG. NO. | REV |
|-----------|----------|-----|
| | RK05-14 | A |
| | RK05-16 | B |
| | RK05-23 | C |
| | RK05-26 | D |
| | RK05-28 | E |
| | RK05-30 | F |
| | RK05-31 | H |
| | RK05-32 | J |
| | RK05-34 | K |
| | RK05-35 | L |
| | RK05-38 | M |
| | RK05-39 | N |
| | RK05-40 | P |
| | RK05-41 | R |
| | RK05-42 | S |
| | RK05-45 | T |
| | RK05-46 | U |
| | RK05-48 | V |
| | RK05-50 | W |
| | RK05-51 | Y |
| | RK05-52 | Z |
| | RK05-53 | AA |
| | RK05-54 | AB |
| | RK05-55 | AC |
| | RK05-56 | AD |

| USED ON OPTION/MODEL | DRN. | DATE | TITLE | | |
|----------------------|----------------------|---------|--------------|--------|------|
| | J. FLEMING | 1/26/72 | DECPACK ASSY | | |
| | <i>J. Fleming</i> | 5-2-72 | | | |
| | <i>J. Fleming</i> | 5/2/72 | | | |
| | <i>A. P. Sellers</i> | 5/4/72 | | | |
| | <i>A. P. Sellers</i> | 5/4/72 | | | |
| | | | SIZE CODE | NUMBER | REV. |
| | | | B DD | RK05-0 | AD |
| | | | DIST | | |

This drawing and specifications, herein, are the property of Digital Equipment Corporation and shall not be reproduced or copied or used in whole or in part as the basis for the manufacture or sale of items without written permission.

NOTE:
TERMINATOR OR DISKBUS CABLE CONNECTOR MAY BE INTERCHANGED BETWEEN SLOTS 7 AND 8.



* IF MORE THAN ONE DRIVE IS USED, M930 IS REPLACED BY M929 (BC11A), M930 IS USED IN THE LAST DRIVE ON THE BUS.

| CHK | CHANGE NO. | REV. |
|-----|------------|------|
| | RK05-00002 | A |
| | | B |
| | | C |
| | | D |

REVISIONS

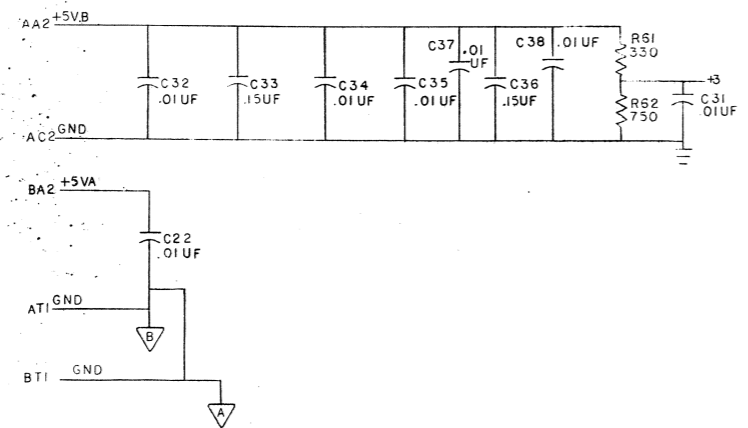
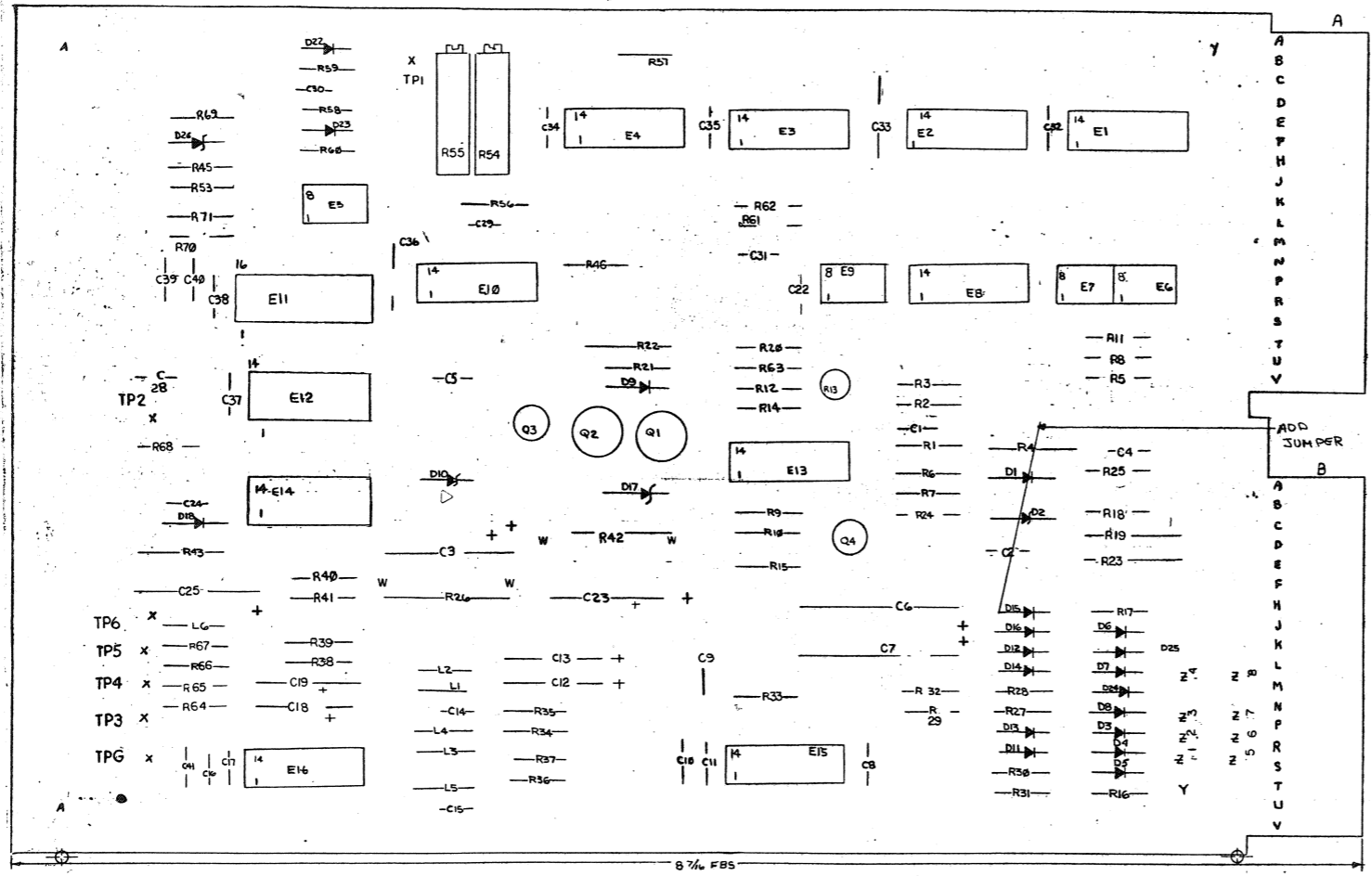
| CHK | CHANGE NO. | REV. | DATE | BY |
|-----|------------|------|----------|--------------|
| | RK05-00002 | A | 11-11-72 | D. JENSEN |
| | RK05-00006 | B | 2-9-72 | JENSEN |
| | RK05-00023 | C | 11-72 | G. SCHNEIDER |
| | RK05-00040 | D | 7-7-73 | G. SCHNEIDER |

| FIRST USED ON OPTION/MODEL | QTY. | DESCRIPTION | PART NO. | ITEM NO. |
|---|------|---------------------------------|----------------|---|
| RK05 | | PARTS LIST | | |
| UNLESS OTHERWISE SPECIFIED DIMENSION IN INCHES TOLERANCES | | DRM <i>D. Schmidt</i> | DATE 11-2-71 | digital EQUIPMENT CORPORATION MAYNARD, MASSACHUSETTS TITLE MODULE UTILIZATION |
| DECIMALS .XXX = .005 .XX = .02 .X = .1 | | CHK <i>J. T. Conroy</i> | DATE 11-9-71 | |
| ANGLES ± 0° 30' | | ENG <i>John W. Jensen</i> | DATE 11-24-71 | |
| REMOVE BURRS AND BREAK SHARP CORNERS SURFACE QUALITY ✓ | | PROJ. ENG. <i>C. L. Summers</i> | DATE 11-24-71 | |
| MATERIAL | ++ | NEXT HIGHER ASSY. | | |
| FINISH | ++ | B-DD-RK05-0 | SIZE CODE C MU | NUMBER RK05-0-2 |
| SCALE NONE | | SHEET OF | | REV. D |
| DIST. | | | | |

DRAWING AND SPECIFICATIONS, HEREIN, ARE THE PROPERTY OF DIGITAL EQUIPMENT CORPORATION AND SHALL BE REPRODUCED OR COPIED OR USED IN WHOLE OR IN PART AS THE BASIS FOR THE MANUFACTURE OR SALE OF ITEMS WITHOUT WRITTEN PERMISSION. DIGITAL EQUIPMENT CORPORATION. COPYRIGHT © 1974

NOTES:

NOTE:
DO NOT INSERT
HANDLE HOLE EYELETS
ON OUTSIDE HANDLE
HOLES: (2 PLCS)



| | | |
|-----------|-----|-----|
| DEC 380 | 1 | 8 |
| DEC 75452 | 4 | 8 |
| IC TYPE | GND | +5V |

GND AND 5V ARE USUALLY PIN 7 AND 14 RESPECTIVELY EXCEPTIONS ARE STATED ABOVE

IC PIN LOCATIONS

| | | | | |
|---|------------------|----------------------------|------------|----|
| 1 | D26 | DIODE IN748A (3.9V ZENER) | 1100122 | 79 |
| 1 | R69 | RES. 180 1/4W 5% | 1301322 | 78 |
| 2 | R7,R10 | RES. 100 1/4W 5% | 1300229 | 77 |
| 1 | | NOISE SHIELD | 5009893 | 76 |
| 2 | | HANDLE,FLIP CHIP-GREEN | 9008337-01 | 75 |
| 7 | TP6,TP1 THRU TP6 | SWAGE LUG | 9007791 | 74 |
| 2 | | HEX NUT,NYLON,*2-56 | 9007263 | 73 |
| 2 | | EYELET *6S4-7 | 9006732 | 72 |
| 2 | | INTERNAL LOCK WASHER *2-56 | 9006631 | 71 |
| 2 | | HEX NUT *2-56 | 9006555 | 70 |
| 2 | | SCREW 4/40X3/8 | 9006011-4 | 69 |
| 2 | | SCREW PAN HD *2-56X5/16 | 9006002-1 | 68 |
| 2 | | KEP NUT 4/40 | 9006557 | 67 |

| | | | | |
|----|---------------------------|------------------------------|---------------|----|
| 3 | E6,E7,E9 | I.C. DEC 75452 | 1910645 | 66 |
| 2 | E15,16 | I.C. DEC 733 | 1910644 | 65 |
| 1 | E14 | I.C. DEC 1414 | 1910337 | 64 |
| 1 | E5 | I.C. DEC 741 | 1910298 | 63 |
| 1 | E1 | I.C. DEC 8881 | 1909705 | 62 |
| 2 | E2,E8 | I.C. DEC 380 | 1909485 | 61 |
| 1 | E10 | I.C. DEC 9601 | 1909373 | 60 |
| 1 | E13 | I.C. DEC 7472 | 1905588 | 59 |
| 2 | E4,E12 | I.C. DEC 7400 | 1905575 | 58 |
| 1 | E3 | I.C. DEC 7474 | 1905547 | 57 |
| 1 | L6 | INDUCTOR 120UH | 1610663 | 56 |
| 2 | L1,L2 | INDUCTOR 56UH | 1610661 | 55 |
| 3 | L3,L4,L5 | INDUCTOR 100UH | 1610662 | 54 |
| 1 | Q3 | TRANSISTOR DEC 6534C | 1503409-02 | 53 |
| 1 | Q4 | TRANSISTOR DEC 3009B | 1503100 | 52 |
| 2 | Q1,Q2 | TRANSISTOR 2N2904 | 1501742 | 51 |
| | | | 50 | |
| 1 | R13 | POT. 1K 1/2W 20% 62PR | 1309150-03 | 49 |
| 2 | R54,55 | POT. 10K 3/4W 10% 76PR | 1309143-10 | 48 |
| 2 | R16,R17 | RES. 27K 1/4W 5% | 1305346 | 47 |
| 2 | R27,R28 | RES. 6.2K 1/4W 5% | 1303179 | 46 |
| 1 | R60 | RES. 220K 1/4W 5% | 1302092 | 45 |
| 1 | R4 | RES. 270 1/2W 5% | 1300285 | 44 |
| 2 | R40,R41 | RES. 560 1/4W 5% | 1301890 | 43 |
| 6 | R6,9,45,53,70,71 | RES. 5.6K 1/4W 5% | 1301874 | 42 |
| 1 | R11 | RES. 1K 1/4W 5% | 1301475 | 41 |
| 1 | R58 | RES. 3.3K 1/4W 5% | 1300439 | 40 |
| 1 | R62 | RES. 750 1/4W 5% | 1301401 | 39 |
| 2 | R15,R21 | RES. 1.2K 1/4W 5% | 1301320 | 38 |
| 2 | R30,R31 | RES. 15K 1/4W 5% | 1300496 | 37 |
| 8 | R5,8,18,39,39,57 | RES. 10K 1/4W 5% | 1300479 | 36 |
| 1 | R59 | RES. 4.7K 1/4W 5% | 1300447 | 35 |
| 1 | E11 | I.C. DEC 7113 | 1301436 | 34 |
| 16 | R1,R2,R3,R20,R34-37 | RES. 1K 1/4W 5% | 1300365 | 33 |
| | R46,R56,R63-68 | | | |
| 2 | R24,R14 | RES. 470 1/4W 5% | 1300316 | 31 |
| 1 | R63 | RES. 470 1/2W 5% | 1300315 | 30 |
| 3 | R22,R25,R61 | RES. 33K 1/4W 5% | 1300295 | 29 |
| 2 | R29,R32 | RES. 220 1/4W 5% | 1300271 | 28 |
| 2 | R26,R42 | RES. 10K 1/4W 5% | 1300262 | 27 |
| 1 | R19 | RES. 10K 1/4W 5% | 1300260 | 26 |
| 1 | R12 | RES. 150 1/4W 5% | 1300250 | 25 |
| 1 | R23 | RES. 150 1/4W 5% | 1300249 | 24 |
| 1 | R33 | RES. 47 1/4W 5% | 1300202 | 23 |
| 8 | I-B | GOLD WIREWRAP PINS | 1210385-1 | 22 |
| 18 | D103-9,D11-16,D22-25 | DIODE D672 | 1105275 | 21 |
| 1 | D2 | DIODE IN 751A (5.1V ZENER) | 110994 | 20 |
| | | | 19 | |
| 3 | D10,D17,D18 | DIODE IN 753A (6.2V ZENER) | 1102421 | 18 |
| 13 | C9,C33,C36 | CAP. 15UF 50V 10% POLYCARBON | 1010031 | 17 |
| 1 | C15 | CAP. 18PF 100V 5% D.M. | 1002608 | 16 |
| 4 | C12,C13,C18,C19 | CAP. 15UF 35V 20% S. TANT | 1002180 | 15 |
| 14 | C410,11,16,17,22,24,28,31 | CAP. .01UF 100V 20% DISC | 1001610 | 14 |
| | 32,34,35,37,38 | | | |
| 2 | C6,C7 | CAP. 10UF 35V 20% S. TANT | 1000069 | 13 |
| 3 | C3,C23,C25 | CAP. 6.8UF 35V 20% S. TANT | 1000067 | 12 |
| 1 | C2 | CAP. 680PF 100V 5% D.M. | 1000026 | 11 |
| 2 | C5,C30 | CAP. 470PF 100V 5% D.M. | 1000024 | 10 |
| 1 | C29 | CAP. 150PF 100V 5% D.M. | 1000019 | 9 |
| 1 | C41 | CAP. 27PF 100V 5% D.M. | 1001739 | 8 |
| 1 | C14 | CAP. 56PF 100V 5% D.M. | 1000012 | 7 |
| 3 | C1,C39,C40 | CAP. 47PF 100V 5% D.M. | 1000011 | 6 |
| 1 | C8 | CAP. 33PF 100V 5% D.M. | 1000009 | 5 |
| | | ETCHED CIRCUIT BOARD | 5009743 | 4 |
| | | MODULE ECO HISTORY | B-MH-G180-0-6 | 3 |
| | | ASSY. DRILLING HOLE LAYOUT | E-AH-G180-0-5 | 2 |
| | | X-Y COORDINATE HOLE LOCATION | K-CO-G180-0-4 | 1 |

| QTY | REF. DESIGNATION | DESCRIPTION | PART NO. | ITEM NO. |
|-------------------|------------------|-------------|----------|----------|
| PARTS LIST | | | | |
| ETCH BOARD REV. L | | | | |

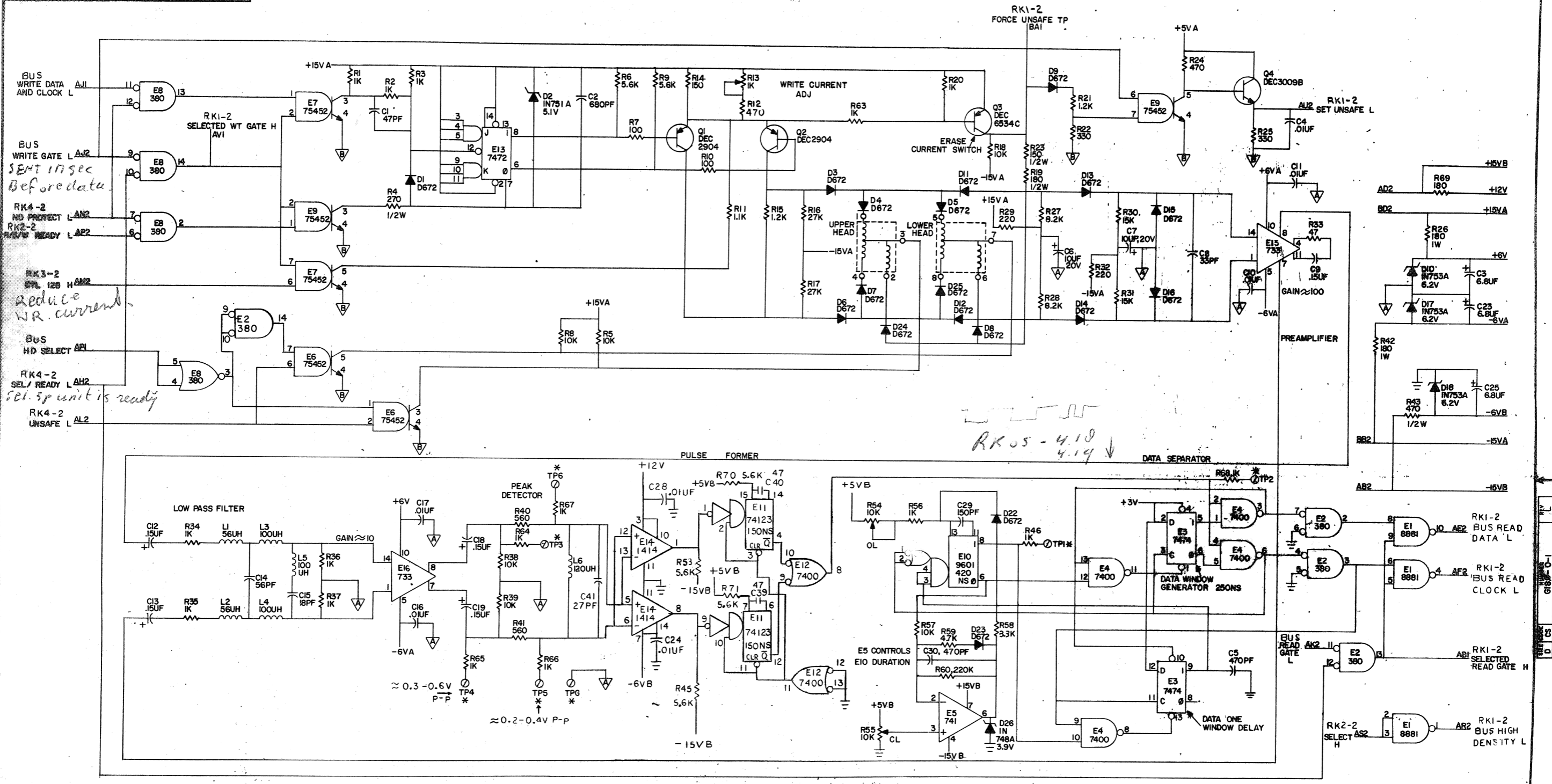
| | | | |
|------------|--------------|------|----------|
| DRN. | R. DOUCETTE | DATE | 10-22-71 |
| CHK'D. | NANCY MADRE | DATE | 11-30-71 |
| ENG. | DALE JENSEN | DATE | 1-22-72 |
| PROJ. ENG. | A. KARLSBERG | DATE | 1-22-72 |
| PROD. | | DATE | |

| | |
|-----------|----------------------|
| TITLE | DEC PACK READ/ WRITE |
| SIZE CODE | D CS |
| NUMBER | G180-0-1 |
| REV. | L |

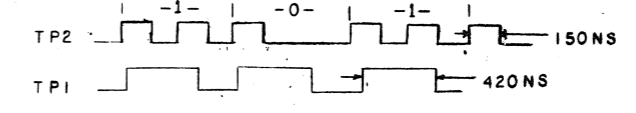
| |
|--|
| SEMICONDUCTOR CONVERSION CHART |
| DEC NO. EIA NO. DEC NO. EIA NO. |
| 2N2904 2N2118A IN753A SAME |
| DEC 3009B 2N3009 IN751A SAME |
| DEC 6534C MPS6534 D672 IN3653 |

THIS SCHEMATIC IS FURNISHED ONLY FOR TEST AND MAINTENANCE PURPOSES. THE CIRCUITS ARE PROPRIETARY IN NATURE AND SHOULD BE TREATED ACCORDINGLY. COPYRIGHT 1971 BY DIGITAL EQUIPMENT CORPORATION

1-0-0910 50 0



UNLESS OTHERWISE INDICATED:
 * INDICATES SWAGE LUG
 ▽ = ANALOG GND "A" BTI.
 ▽ = ANALOG GND "B" ATI
 ⊥ = DIGITAL GND AC2
 --- = COMPONENTS NOT MOUNTED ON BOARD
 ALL TIMES INDICATED ARE NOMINAL



SLOT-1

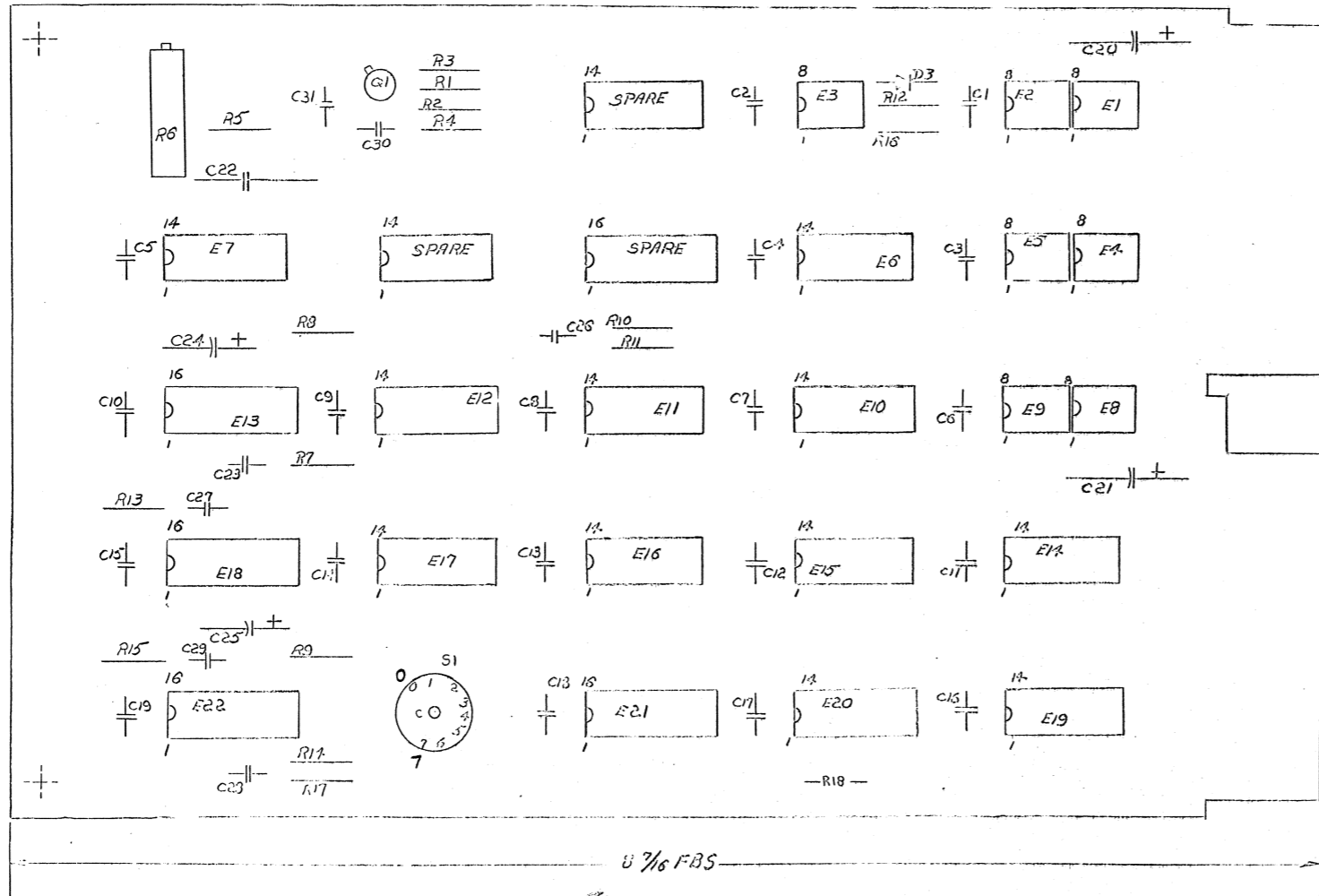
| REV | DATE | TRANSISTOR & DIODE CONVERSION CHART | | | | TITLE |
|-----|----------|-------------------------------------|--------|--------|------|------------------------------|
| | | DEC | EIA | DEC | EIA | |
| 1 | 12/18/71 | 2N2904 | 2N2904 | IN753A | SAME | DEC PACK READ/WRITE RK1-2 |
| 2 | 12/18/71 | 2N2904 | 2N2904 | IN753A | SAME | |
| 3 | 12/18/71 | 2N2904 | 2N2904 | IN753A | SAME | |
| 4 | 12/18/71 | 2N2904 | 2N2904 | IN753A | SAME | |

| | | | |
|-----------|------|----|------|
| REVISIONS | DATE | BY | CHKD |
| | | | |

| | | | |
|------|------|----------|------|
| SIZE | CODE | NUMBER | REV. |
| D | CS | G100-0-1 | L |

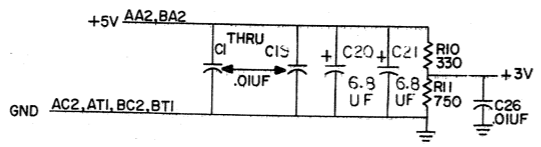
THIS SCHEMATIC IS FOR USE ONLY FOR TEST AND MAINTENANCE PURPOSES. THE CIRCUITS ARE PROPRIETARY IN NATURE AND SHOULD BE TREATED ACCORDINGLY. COPYRIGHT © 1971 BY DIGITAL EQUIPMENT CORPORATION.

1-0-0022W SD Q 1003 12/5



A B O D F H J K L M N P R S T U V

NOTES:
 PIN 7 = GND ON E2, E5, E7, E11, E13
 PIN 4 = +5V ON E14, E17, E20, E21, E23
 PIN 4 = GND ON E1, E3, E4, E9,
 PIN 8 = +5V ON E10, E15, E16
 PIN 10 = GND ON E8, E12
 PIN 5 = +5V ON E18
 PIN 1 = GND ON E22
 PIN 8 = +5V ON E19
 PIN 8 = GND ON E6, E18, E19
 PIN 16 = +5V



| QTY | REP. DESIGNATION | DESCRIPTION | DEC PART NO. | REV |
|-----|-----------------------|------------------------------|----------------|-----|
| 2 | C20, 21 | CAP. 6.8UF 35V 20% | 1000067 | 40 |
| 1 | R6 | RESISTOR 4.7K 1/4W 5% | 1300447 | 38 |
| 1 | C22 | CAP. 0.01UF 100V 10% MYLAR | 1005784 | 38 |
| 2 | | HANDLE, FLIP CHIP - MAGENTA | 9008337-06 | 36 |
| 4 | | SOLET | 9006732 | 35 |
| 1 | E20 | I.C. DEC 7401 | 1905590 | 34 |
| 3 | E13, 16, 22 | I.C. DEC 74123 | 1910136 | 33 |
| 7 | E1-E8, E9, E9 | I.C. DEC 74152 | 1910645 | 32 |
| 1 | E7 | I.C. DEC 74121 | 1910230 | 31 |
| 1 | E21 | I.C. DEC 74145 | 1910047 | 30 |
| 1 | E14 | I.C. DEC 74104 | 1909686 | 29 |
| 2 | E15, 19 | I.C. DEC 380 | 1909485 | 28 |
| 2 | E6, 11 | I.C. DEC 7493 | 1909094 | 27 |
| 1 | E10 | I.C. DEC 7410 | 1905576 | 26 |
| 2 | E12, 16 | I.C. DEC 7400 | 1905575 | 25 |
| 1 | E17 | I.C. DEC 7474 | 1905247 | 24 |
| 1 | Q1 | TRANSISTOR DEC 3639C | 1502762-01 | 23 |
| 1 | R13 | RES. 18K 1/4W 5% | 1302465 | 22 |
| 3 | R14, 15, 8 | RES. 30K 1/4W 5% | 1302394 | 21 |
| 1 | R6 | POT. 10K 3/4W 10% | 1309143-10 | 20 |
| 1 | R9 | RES. 22K 1/4W 5% | 1301808 | 19 |
| 1 | R11 | RES. 750 1/4W 5% | 1301401 | 18 |
| 3 | R3, R7, R18 | RES. 10K 1/4W 5% | 1300479 | 17 |
| 2 | R4, 10 | RES. 130 1/4W 5% | 1300295 | 16 |
| 1 | R12 | RES. 150 1/4W 5% | 1300250 | 15 |
| 1 | R1 | RES. 100 1/4W 5% | 1300229 | 14 |
| 1 | S1 | SWITCH ROTARY 8 POS | 1210042 | 13 |
| 1 | D1 | DIODE AZ5 (2.4) | 1101938 | 12 |
| 1 | R5, 16, 17 | RES. 1K 1/4W 5% | 1002865 | 11 |
| 1 | C24 | CAP. 1.5UF 35V 20% S.TANT | 1002180 | 10 |
| 1 | C25 | CAP. 1.0UF 35V 10% S.TANT | 1001776 | 9 |
| 2F | C1 thru C19, C26, C31 | CAP. .01UF 100V 20% DISC | 1001610 | 8 |
| 1 | C29 | CAP. 470PF 100V 5% D.M. | 1000024 | 7 |
| 2 | C23, C30 | CAP. 330PF 100V 5% D.M. | 1000023 | 6 |
| 2 | C28, 27 | CAP. 100PF 100V 5% D.M. | 1000016 | 5 |
| 1 | | ETCHED CIRCUIT BOARD | 5009716 | 4 |
| | | MODULE MFG HISTORY | B-MH-M7700-0-6 | 3 |
| | | ASSY/DRILLING HOLE LAYOUT | E-MH-M7700-0-5 | 2 |
| | | X-Y COORDINATE HOLE LOCATION | K-00-M7700-0-4 | 1 |
| | | DESCRIPTION | DEC PART NO. | REV |

PART NUMBER M7700-0-1

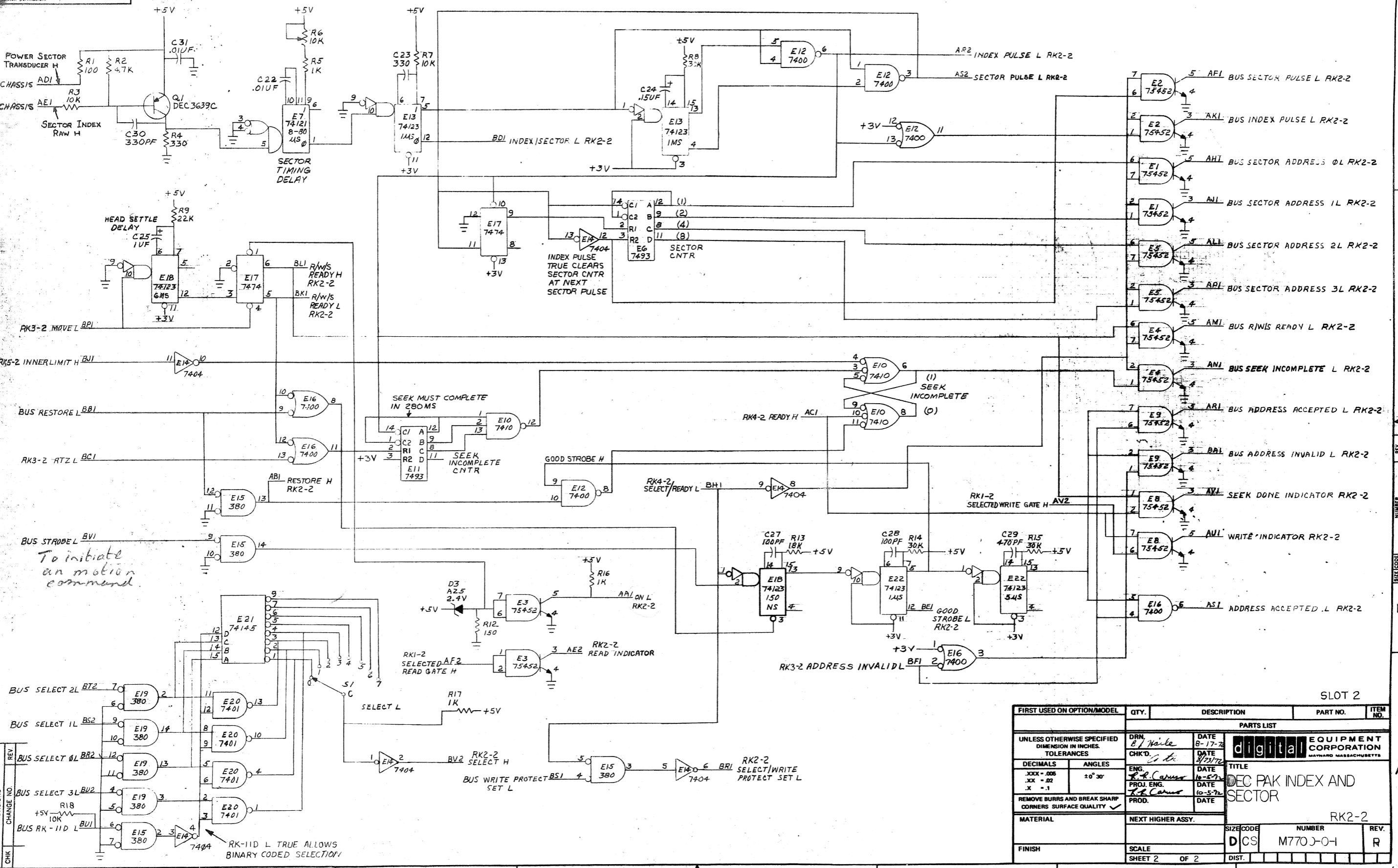
| REV | DATE | BY | CHKD |
|-----|----------|----------|------|
| 1 | 11/27/71 | W. H. B. | |
| 2 | 12/2/71 | W. H. B. | |
| 3 | 12/2/71 | W. H. B. | |
| 4 | 12/2/71 | W. H. B. | |
| 5 | 12/2/71 | W. H. B. | |
| 6 | 12/2/71 | W. H. B. | |
| 7 | 12/2/71 | W. H. B. | |
| 8 | 12/2/71 | W. H. B. | |
| 9 | 12/2/71 | W. H. B. | |
| 10 | 12/2/71 | W. H. B. | |
| 11 | 12/2/71 | W. H. B. | |
| 12 | 12/2/71 | W. H. B. | |
| 13 | 12/2/71 | W. H. B. | |
| 14 | 12/2/71 | W. H. B. | |
| 15 | 12/2/71 | W. H. B. | |
| 16 | 12/2/71 | W. H. B. | |
| 17 | 12/2/71 | W. H. B. | |
| 18 | 12/2/71 | W. H. B. | |
| 19 | 12/2/71 | W. H. B. | |
| 20 | 12/2/71 | W. H. B. | |
| 21 | 12/2/71 | W. H. B. | |
| 22 | 12/2/71 | W. H. B. | |
| 23 | 12/2/71 | W. H. B. | |
| 24 | 12/2/71 | W. H. B. | |
| 25 | 12/2/71 | W. H. B. | |
| 26 | 12/2/71 | W. H. B. | |
| 27 | 12/2/71 | W. H. B. | |
| 28 | 12/2/71 | W. H. B. | |
| 29 | 12/2/71 | W. H. B. | |
| 30 | 12/2/71 | W. H. B. | |
| 31 | 12/2/71 | W. H. B. | |
| 32 | 12/2/71 | W. H. B. | |
| 33 | 12/2/71 | W. H. B. | |
| 34 | 12/2/71 | W. H. B. | |
| 35 | 12/2/71 | W. H. B. | |
| 36 | 12/2/71 | W. H. B. | |
| 37 | 12/2/71 | W. H. B. | |
| 38 | 12/2/71 | W. H. B. | |
| 39 | 12/2/71 | W. H. B. | |
| 40 | 12/2/71 | W. H. B. | |

TRANSISTOR AND DIODE CONVERSION CHART

| DEC | EIA | DEC | EIA |
|-----------|---------|-----|-----|
| D664 | IN360R | | |
| DEC6331 | MP86031 | | |
| AZ9(2.4V) | IN4370 | | |

digital EQUIPMENT CORPORATION
 TITLE: DEC PAK INDEX AND SECTOR
 SIZE: D CS
 NUMBER: M7700-0-1
 REV: 15
 PRINTED CIRCUIT REV: K

Dimensions and specifications herein are the property of Digital Equipment Corporation and shall not be reproduced or copied in whole or in part as a basis for the manufacture or sale of items without written permission.



BRUNING 40-323 15840
DEC FORM NO DRD 102-B

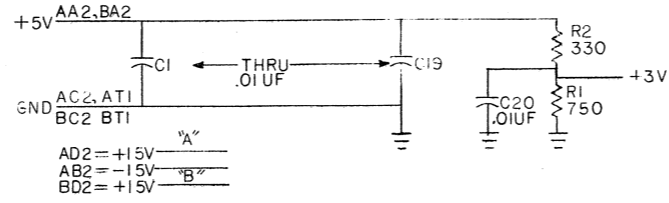
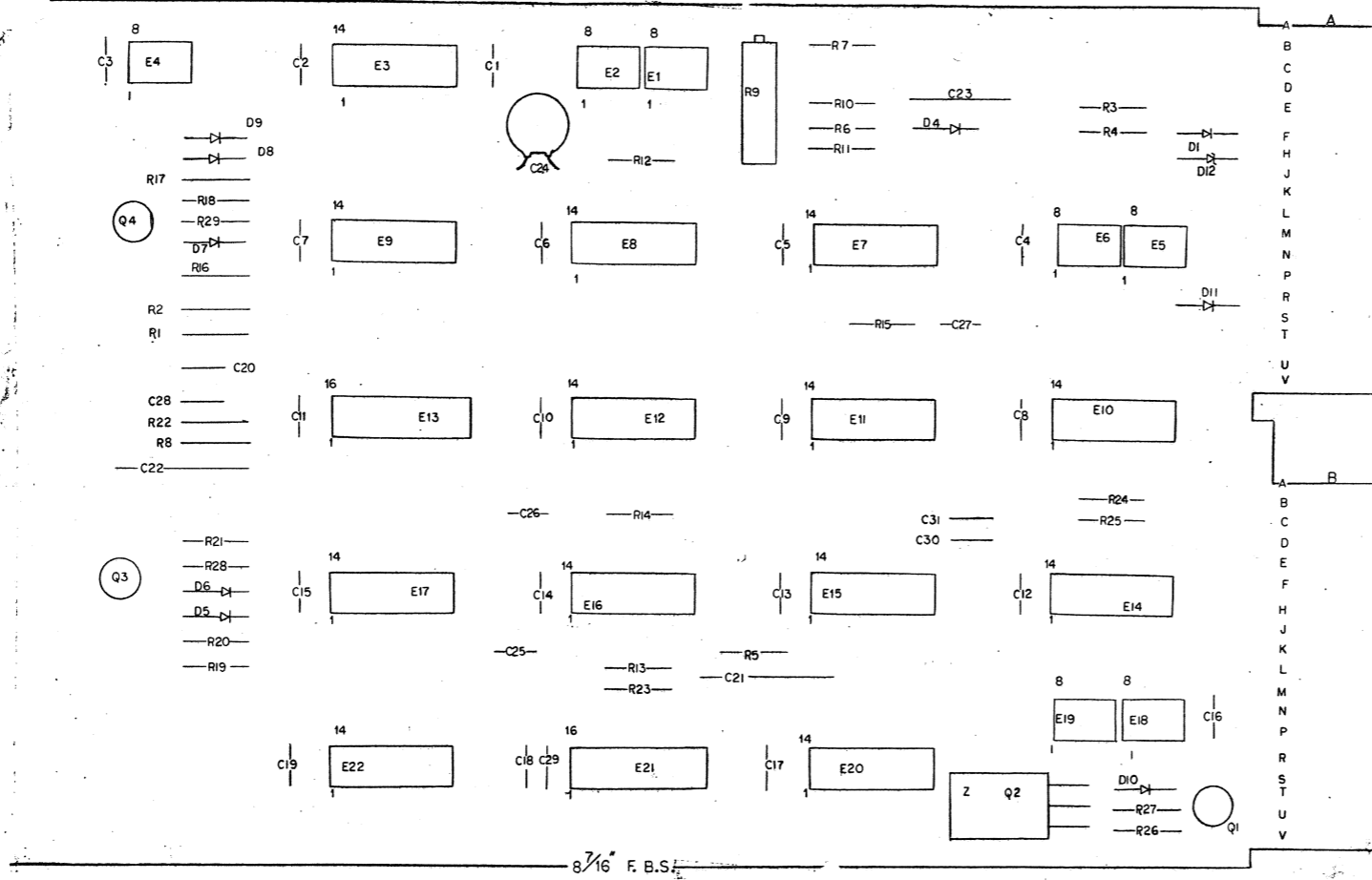
| FIRST USED ON OPTION/MODEL | QTY. | DESCRIPTION | PART NO. | ITEM NO. | |
|---|----------------------------|-----------------|--|---------------------|-----------|
| PARTS LIST | | | | | |
| UNLESS OTHERWISE SPECIFIED DIMENSION IN INCHES TOLERANCES | DRN B. J. Waite | DATE 8-17-72 | digital EQUIPMENT CORPORATION MAYNARD, MASSACHUSETTS | | |
| DECIMALS | CHK'D. S. D. | DATE 3/23/72 | | | |
| ANGLES | ENG. R. R. Caruso | DATE 10-5-72 | TITLE DEC PAK INDEX AND SECTOR | | |
| .XXX - .000 .XX - .02 .X - .1 | PROJ. ENG. R. R. Caruso | DATE 10-5-72 | | | |
| REMOVE BURRS AND BREAK SHARP CORNERS SURFACE QUALITY | PROD. | DATE | RK2-2 | | |
| MATERIAL | NEXT HIGHER ASSY. | DATE | | | |
| FINISH | SCALE | SHEET 2 OF 2 | SIZE CODE D CS | NUMBER M770J-0-1 | REV. R |

REV. D
NUMBER M770J-0-1
REV. D
CS

SLOT 2

"THIS DRAWING AND SPECIFICATIONS, HEREIN, ARE THE PROPERTY OF DIGITAL EQUIPMENT CORPORATION AND SHALL NOT BE REPRODUCED OR COPIED OR USED IN WHOLE OR IN PART AS THE BASIS FOR THE MANUFACTURE OR SALE OF ITEMS WITHOUT WRITTEN PERMISSION.
COPYRIGHT © 1974 DIGITAL EQUIPMENT CORPORATION"

NOTES:



| | | |
|--|-----|-----|
| IC TYPE | GND | +5V |
| GND AND 5V ARE USUALLY PIN 7 AND 14 RESPECTIVELY EXCEPTIONS ARE STATED ABOVE | | |
| IC PIN LOCATIONS | | |

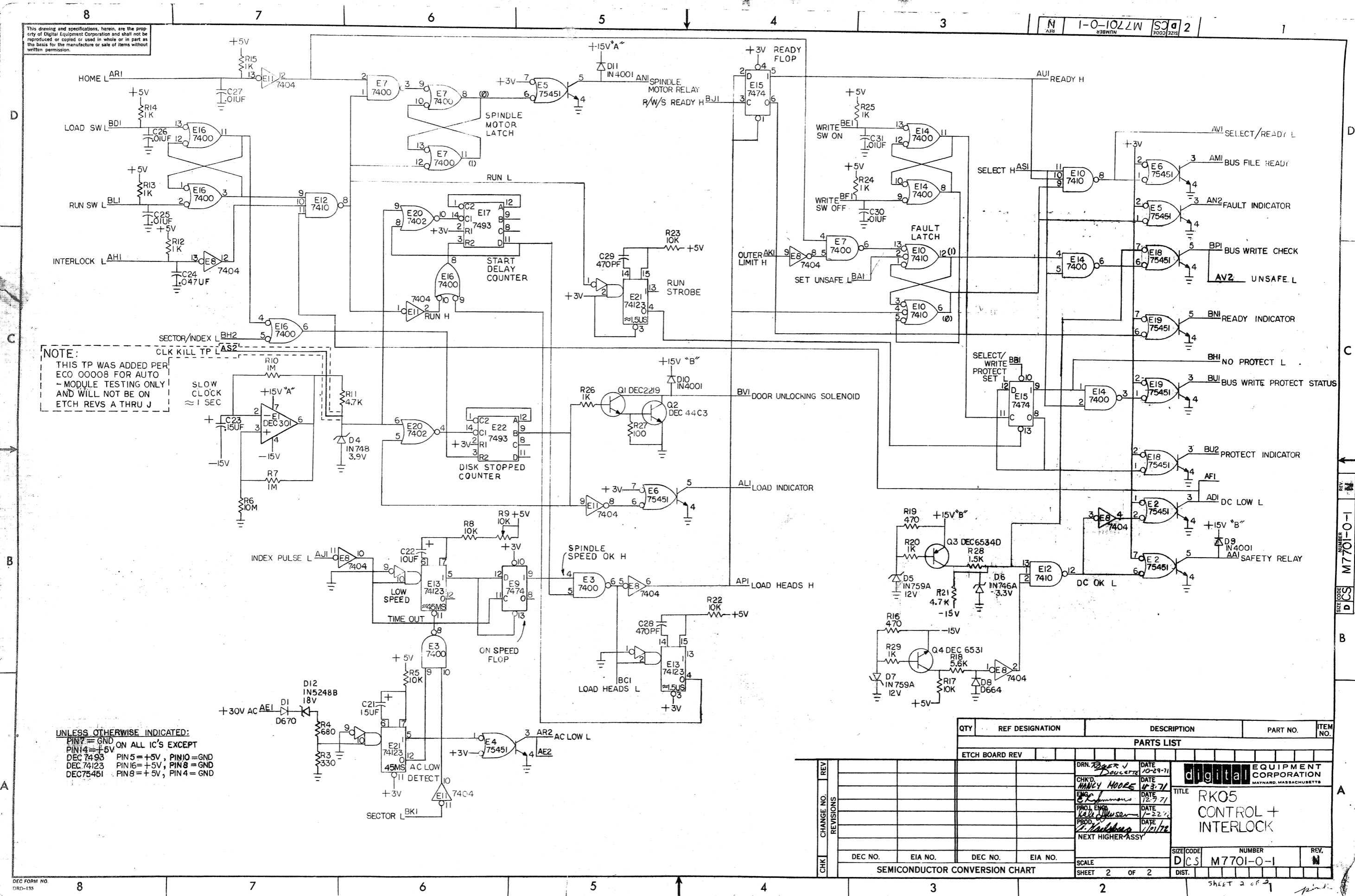
| QTY | REF. DESIGNATION | DESCRIPTION | PART NO. | ITEM NO. |
|-----|-----------------------------|------------------------------|----------------|----------|
| 1 | C24 | CAP. .047UF 16V DISC | 1009678 | 50 |
| 1 | D12 | DIODE IN5248B 18V 5% | 1110766 | 49 |
| 1 | | KEP NUT #4 | 9006557 | 48 |
| 1 | | SCREW 4-40 X 5/16 | 9006010-1 | 47 |
| 2 | | HANDLE, FLIP CHIP-MAGENTA | 9008337-06 | 46 |
| 4 | | EYELET #GS4-7 | 9006732 | 45 |
| 1 | E1 | I.C. DEC 301 | 1910282 | 44 |
| 6 | E2,4,6,5,18,19 | I.C. DEC 75451 | 1910406 | 43 |
| 2 | E21, E13 | I.C. DEC 74123 | 1910436 | 42 |
| 2 | E22, E17 | I.C. DEC 7493 | 1909054 | 41 |
| 2 | E9, E15 | I.C. DEC 7474 | 1905547 | 40 |
| 2 | E12, 10 | I.C. DEC 7410 | 1905576 | 39 |
| 2 | E11, E8 | I.C. DEC 7404 | 1909686 | 38 |
| 1 | E20 | I.C. DEC 7402 | 1909004 | 37 |
| 4 | E3,7,16,14 | I.C. DEC 7400 | 1905575 | 36 |
| 1 | Q2 | TRANSISTOR DEC 4403 | 1510171 | 35 |
| 1 | Q3 | TRANSISTOR DEC 6534D | 1503409-00 | 34 |
| 1 | Q1 | TRANSISTOR DEC 2219 | 1501881 | 33 |
| 1 | Q4 | TRANSISTOR DEC 6531 | 1509338 | 32 |
| 1 | R9 | RES. 10K 3/4W 10% 76PR | 1309143-10 | 31 |
| 1 | R6 | RES. 10M 1/4W 5% | 1302666 | 30 |
| 2 | R7, R10 | RES. 1M 1/4W 5% | 1309595 | 29 |
| | | | | 28 |
| | | | | 27 |
| 5 | R17,5,22,23,8 | RES. 10K 1/4W 5% | 1300479 | 26 |
| 1 | R18 | RES. 5.6K 1/4W 5% | 1301874 | 25 |
| 1 | R11 | RES. 4.7K 1/4W 5% | 1300447 | 24 |
| 1 | R4 | RES. 680 1/4W 5% | 1300424 | 23 |
| 1 | R28 | RES. 1.5K 1/4W 5% | 1300391 | 22 |
| 9 | R12,13,14,15,20,24,25,26,29 | RES. 1K 1/4W 5% | 1300365 | 21 |
| 1 | R1 | RES. 750 1/4W 5% | 1301401 | 20 |
| 2 | R16, R19 | RES. 470 1/4W 5% | 1300316 | 19 |
| 2 | R2, R3 | RES. 330 1/4W 5% | 1300295 | 18 |
| 1 | R27 | RES. 100 1/4W 5% | 1300229 | 17 |
| A/R | | GRIPLETS | 1210244-0 | 16 |
| 2 | D5, D7 | DIODE IN759A 12V 5% | 1110643 | 15 |
| 1 | D4 | DIODE IN748 3.9V 10% | 1100121 | 14 |
| 1 | D6 | DIODE IN746A 3.3V 5% | 1104860 | 13 |
| 3 | D9, D10, D11 | DIODE IN4001 | 1102942 | 12 |
| 1 | D1 | DIODE D670 | 1102162 | 11 |
| 1 | D8 | DIODE D664 | 1100114 | 10 |
| 2 | C28, C29 | CAP. 470PF 100V 5%DM | 1000024 | 9 |
| 1 | C23 | CAP. .15UF 35V 20%TANT | 1002180 | 8 |
| 1 | C22 | CAP. 10UF 20V 10%TANT | 1004813 | 7 |
| 1 | C21 | CAP. .15UF 20V 10%TANT | 1004812 | 6 |
| 25 | C1-20, 25-27, 30, 31 | CAP. .01UF 100V 20% DISC. | 1001610 | 5 |
| 1 | | ETCHED CIRCUIT BOARD | 5009714 | 4 |
| | | MODULE ECO HISTORY | B-MH-M7701-0-6 | 3 |
| | | ASSY/DRILLING HOLE LAYOUT | E-AH-M7701-0-5 | 2 |
| | | X-Y COORDINATE HOLE LOCATION | K-CO-M7701-0-4 | 1 |

| FIRST USED ON OPTION MODEL | | | | PARTS LIST | | | |
|----------------------------|---------|-----------|---------|------------|---------|---------|---------|
| ETCH BOARD REV. | K | DEC NO. | EIA NO. | DEC NO. | EIA NO. | DEC NO. | EIA NO. |
| IN748 3.9V | SAME | DEC 6534D | MPS6534 | | | | |
| IN746A 3.3V | SAME | DEC 4403 | | | | | |
| IN4001 | SAME | IN759A | SAME | | | | |
| D670 | IN3653 | | | | | | |
| DEC6531 | MPS6531 | | | | | | |
| DEC664 | IN3606 | | | | | | |
| DEC2219 | 2N2219 | | | | | | |

DALE JENSON
M7701-0-1

digital
TITLE DISK ENG.
CONTROL +
INTERLOCK

This drawing and specifications, herein, are the property of Digital Equipment Corporation and shall not be reproduced or copied or used in whole or in part as the basis for the manufacture or sale of items without written permission.



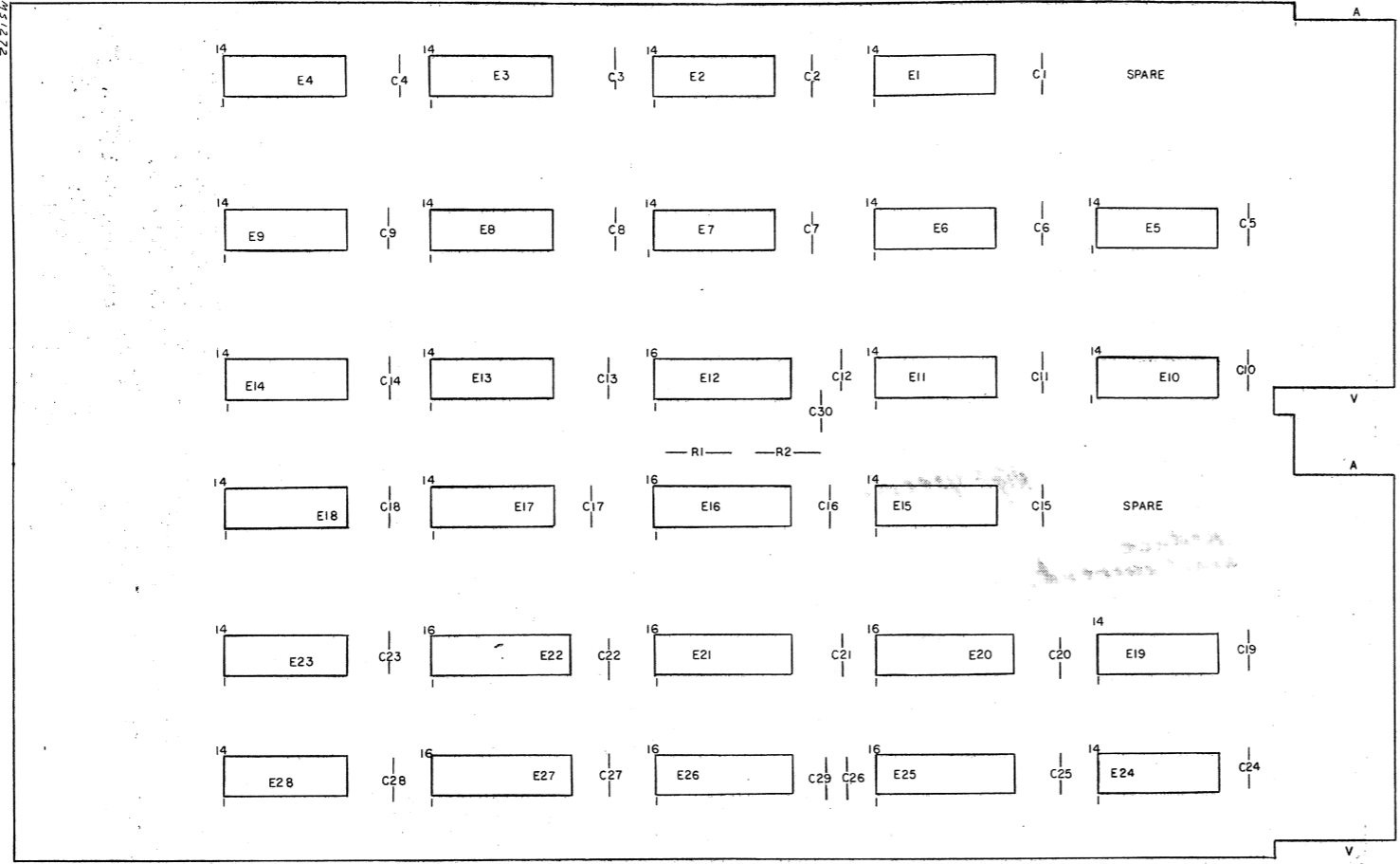
NOTE:
THIS TP WAS ADDED PER
ECO 00008 FOR AUTO
MODULE TESTING ONLY
AND WILL NOT BE ON
ETCH REVS A THRU J

UNLESS OTHERWISE INDICATED:
PIN 7 = GND ON ALL IC'S EXCEPT
DEC 7493 PIN 5 = +5V, PIN 10 = GND
DEC 74123 PIN 16 = +5V, PIN 8 = GND
DEC 75451 PIN 8 = +5V, PIN 4 = GND

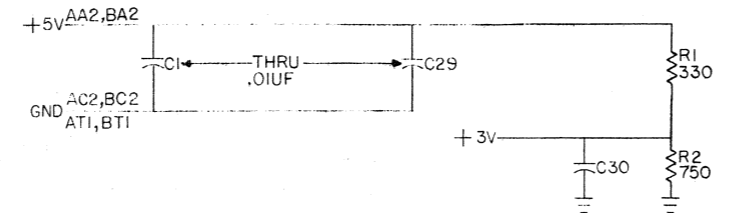
| QTY | REF DESIGNATION | DESCRIPTION | PART NO. | ITEM NO. |
|--------------------------------|-----------------|-------------|----------|-------------------------|
| PARTS LIST | | | | |
| ETCH BOARD REV | | | | |
| REV | CHANGE NO. | REVISIONS | DATE | BY |
| 1 | | | 10-29-71 | SAUCER |
| 2 | | | 11-3-71 | MANEY MOORE |
| 3 | | | 12-9-71 | ENG. [Signature] |
| 4 | | | 1-22-72 | PROJ. ENGR. [Signature] |
| 5 | | | 1/1/72 | PROD. [Signature] |
| 6 | | | | NEXT HIGHER ASSY |
| DEC NO. | | EIA NO. | | SCALE |
| | | | | SHEET 2 OF 2 |
| SEMICONDUCTOR CONVERSION CHART | | SIZE CODE | | NUMBER |
| | | DCS | | M7701-0-1 |
| | | DIST. | | REV. |
| | | | | M |

This drawing and specifications, herein, are the property of Digital Equipment Corporation and shall not be reproduced or copied or used in whole or in part as the basis for the manufacture or sale of items without written permission.

REV. C M7702-0-1



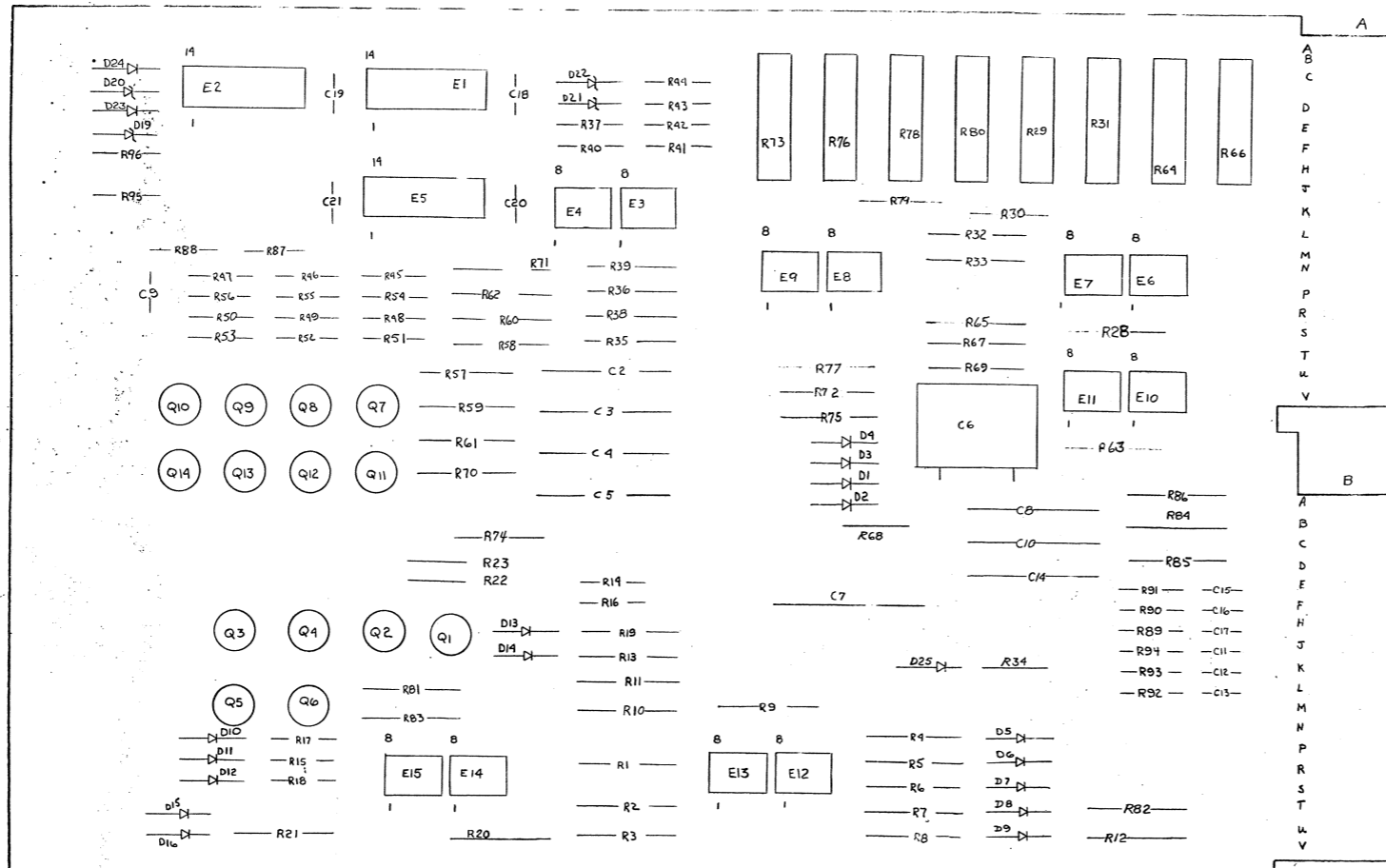
UNLESS OTHERWISE INDICATED:
 PIN 8 = +5V IEC380
 PIN 1 = GND
 PIN 5 = +5V DEC 7483
 PIN 12 = GND
 PIN 16 = +5V DEC 74175
 PIN 8 = GND
 PIN 16 = +5V DEC 74193
 PIN 9 = GND
 PIN 14 = +5V
 PIN 7 = GND ALL OTHER IC'S



| QTY | REF DESIGNATION | DESCRIPTION | PART NO. | ITEM NO. |
|-----|--------------------|------------------------------|----------------|----------|
| 4 | | EYELET #GSL-7 | 9006732 | 22 |
| 2 | | HANDLE, FLIP CHIP - MAGENTA | 9008337-06 | 21 |
| 2 | E20, E25 | I.C. DEC 74175 | 1910651 | 20 |
| 2 | E5, E17 | I.C. DEC 7437 | 1910091 | 19 |
| 2 | E19, E24 | I.C. DEC 380 | 1909485 | 18 |
| 2 | E12, E16 | I.C. DEC 74193 | 1910018 | 17 |
| 2 | E23, E28 | I.C. DEC 7486 | 1910011 | 16 |
| 4 | E21, E22, E26, E27 | I.C. DEC 7483 | 1909932 | 15 |
| 2 | E7, E11 | I.C. DEC 7404 | 1909686 | 14 |
| 1 | E1 | I.C. DEC 7402 | 1909004 | 13 |
| 1 | E14 | I.C. DEC 7440 | 1905579 | 12 |
| 2 | E15, E18 | I.C. DEC 7410 | 1905576 | 11 |
| 4 | E2, E6, E10, E13 | I.C. DEC 7400 | 1905575 | 10 |
| 4 | E3, E4, E8, E9 | I.C. DEC 7474 | 1905547 | 9 |
| 1 | R2 | RES. 750 $\frac{1}{4}$ W 5% | 1301401 | 8 |
| 1 | R1 | RES. 330 $\frac{1}{4}$ W 5% | 1300295 | 7 |
| | | GRIPLET | 1210244-0 | 6 |
| 30 | C1 - C30 | CAP. .01uP 100V 20% DISC | 1001610 | 5 |
| 1 | | ETCHED CIRCUIT BOARD | 5009710 | 4 |
| | | MODULE ECO HISTORY | B-MH-M7702-0-6 | 3 |
| | | ASSY/DRILLING HOLE LAYOUT | E-AH-M7702-0-5 | 2 |
| | | X-Y COORDINATE HOLE LOCATION | E-CO-M7702-0-4 | 1 |

| PARTS LIST | | | | |
|--------------------------------|-----------------|---------------|---|----------|
| QTY | REF DESIGNATION | DESCRIPTION | PART NO. | ITEM NO. |
| ETCH BOARD REV C | | | | |
| DRN. Roger J. Doucette | | DATE 11-17-71 | digital EQUIPMENT CORPORATION MAYNARD, MASSACHUSETTS | |
| CHKD. Smith | | DATE 11-19-71 | TITLE DEC PACK CYL ADDR AND DIFF | |
| ENG. C.K. Simmons | | DATE 12-16-71 | NEXT HIGHER ASSY RK3-1 | |
| PRG. ENG. C.K. Simmons | | DATE 12-16-71 | SCALE DCS M7702-0-1 | |
| PROD. | | DATE | REV. C | |
| SEMICONDUCTOR CONVERSION CHART | | | | |
| DEC NO. | | EIA NO. | | REV. C |
| SHEET 1 OF 2 | | | | |

This drawing and specifications, herein, are the property of Digital Equipment Corporation and shall not be reproduced or copied or used in whole or in part as the basis for the manufacture or sale of items without written permission.



| QTY | REF DESIGNATION | DESCRIPTION | PART NO. | ITEM NO. |
|-----|---|------------------------------|---------------|----------|
| 3 | R28, 63, 77 | RES. 1.96K 1/8W 1% MF | 1304B33 | 55 |
| 1 | R74 | RES. 1.47K 1/8W 1% MF | 1305108 | 54 |
| 3 | R95, 96, 34 | RES. 10K 1/4W 5% | 1300479 | 53 |
| A/R | | GRIFLET | 1210244-0 | 52 |
| 2 | | HANDLE, FLIP CHIP - GREEN | 9008337-01 | 51 |
| 4 | | EYELET #GS4-7 | 9006732 | 50 |
| 10 | E6 - E15 | I.C. DEC 72741 | 1916298 | 49 |
| 2 | E3, E4 | I.C. DEC 301 | 1910282 | 48 |
| 1 | E2 | I.C. DEC 7413 | 1909989 | 47 |
| 1 | E1 | I.C. DEC 7404 | 1905686 | 46 |
| 1 | E5 | I.C. DEC 7400 | 1905575 | 45 |
| 8 | Q1-4, Q11-14 | TRANSISTOR 2N5245 | 1509681 | 44 |
| 6 | Q5-Q10 | TRANSISTOR DEC 6534D | 1504409-00 | 43 |
| 1 | R86 | RES. 2.7 1/2W 10% | 1309444 | 42 |
| 1 | R20 | RES. 200K 1/8W 1% MF | 1305336 | 41 |
| 12 | R11, R12, R13, R14, R15, R16, R17, R18, R19, R21, R22, R23, R24, R25, R26, R27, R28, R29, R30, R31, R32, R33, R34, R35, R36, R37, R38, R39, R40, R41, R42, R43, R44, R45, R46, R47, R48, R49, R50, R51, R52, R53, R54, R55, R56, R57, R58, R59, R60, R61, R62, R63, R64, R65, R66, R67, R68, R69, R70, R71, R72, R73, R75, R76, R77, R78, R79, R80, R81, R82, R83, R84, R85, R87, R88, R89, R90, R91, R92, R93, R94, R96, R97, R98, R99 | RES. 19.6K 1/8W 1% MF | 1309119 | 40 |
| 1 | R7 | RES. 11.5K 1/8W 1% MF | 1309415 | 39 |
| 1 | R21 | RES. 3.9K 1/8W 1% MF | 1309413 | 38 |
| 1 | R75 | RES. 24.3K 1/8W 1% MF | 1309418 | 37 |
| 5 | R29, 64, 73, 76, 78 | RES. 10K 3/4W 10% 76PR | 1309443-10 | 36 |
| 3 | R31, 66, 80 | POT. 2K 3/4W 10% 76PR | 1309443-08 | 35 |
| 1 | R4 | RES. 68.1K 1/8W 1% MF | 1305252 | 34 |
| 1 | R8 | RES. 5.62K 1/8W 1% MF | 1305128 | 33 |
| 2 | R72, R12 | RES. 6.81K 1/8W 1% MF | 1304870 | 32 |
| 6 | R11, R12, R23, 30, 65, 79 | RES. 7.5K 1/2W 5% | 1304841 | 31 |
| 2 | R13, R19 | RES. 4.47K 1/8W 1% MF | 1304856 | 30 |
| 5 | R9, 57, 59, 61, 70 | RES. 10K 1/8W 1% MF | 1303312 | 29 |
| 1 | R5 | RES. 34.8K 1/8W 1% MF | 1303156 | 27 |
| 1 | R6 | RES. 21.5K 1/8W 1% MF | 1303155 | 26 |
| 1 | R2 | RES. 13.3K 1/8W 1% MF | 1302412 | 25 |
| 1 | R3 | RES. 909K 1/8W 1% MF | 1304855 | 24 |
| 1 | R22 | RES. 100K 1/2W 5% | 1302466 | 23 |
| 5 | R58, 60, 62, 71, R82 | RES. 511 1/8W 1% MF | 1302411 | 22 |
| 1 | R88 | RES. 750 1/2W 5% | 1301101 | 21 |
| 7 | R15, 17, 46, 49, 52, 55, 1 | RES. 15K 1/2W 5% | 1300496 | 20 |
| 5 | R18, R17, R50, 53, 56 | RES. 3.9K 1/2W 5% | 1300444 | 19 |
| 9 | R14, 16, 43, 44, 45, 48, 51, 54, 68 | RES. 1.5K 1/2W 5% | 1300391 | 18 |
| 3 | R 37, 40, 87 | RES. 330 1/2W 5% | 1300295 | 17 |
| 6 | R89-94 | RES. 22 1/2W 10% | 1300188 | 16 |
| 2 | R84, R85 | RES. 10 1/2W 5% | 1300168 | 15 |
| 2 | D15, D16 | DIODE - 1N758A 10V | 1100125 | 14 |
| 4 | D19 - 22 | DIODE 1N746A | 1104860 | 13 |
| 10 | D5 - 14 | DIODE D664 | 1100114 | 12 |
| 7 | D1 - D4, 25, 23, 24 | DIODE D662 | 1100113 | 11 |
| 1 | C7 | CAP. .022UF 100V 10% MYLAR | 1002323 | 10 |
| 1 | C6 | CAP. .2700PF 100V MICA | 1001637 | 9 |
| 3 | C8, 10, 14 | CAP. .15UF 20V 10% TANT | 1001612 | 8 |
| 11 | C9, 11, 12, 13, 15-21 | CAP. .01UF 100V 20% DISC | 1001610 | 7 |
| 4 | C2, 3, 4, 5 | CAP. .015UF 50V 2% POLY CARB | 1010646 | 6 |
| 1 | | ETCHED CIRCUIT BOARD | 5009388 | 4 |
| | | MODULE ECO HISTORY | B-MH-0938-0-6 | 3 |
| | | ASSY/DRILLING HOLE LAYOUT | B-AH-0938-0-5 | 2 |
| | | X-Y COORDINATE HOLE LOCATION | K-CO-0938-0-4 | 1 |

UNLESS OTHERWISE INDICATED:
 PIN 14 = +5V, PIN 7 = GND ON ALL IC'S.
 EXCEPT LM 301 + 72741.

| CHK | CHANGE NO. | REV |
|-------------|------------|---------|
| [Signature] | 65340 | NONE |
| [Signature] | 2N5245 | |
| [Signature] | D662 | IN 645 |
| [Signature] | D664 | IN 3606 |
| [Signature] | IN 7464 | SAME |
| [Signature] | DEC NO. | EIA NO. |
| [Signature] | DEC NO. | EIA NO. |

| REV | DESCRIPTION |
|---------|-------------|
| 65340 | NONE |
| 2N5245 | |
| D662 | IN 645 |
| D664 | IN 3606 |
| IN 7464 | SAME |
| DEC NO. | EIA NO. |
| DEC NO. | EIA NO. |

DRN. Roger J. Doucette
 CHK'D. [Signature]
 ENG. [Signature]
 PROJ. ENG. [Signature]
 PROD. [Signature]
 NEXT HIGHER ASSY

DATE 12-8-71
 DATE 12-9-71
 DATE 30 Dec 71
 DATE 30 Dec 71
 DATE 31 Dec 72

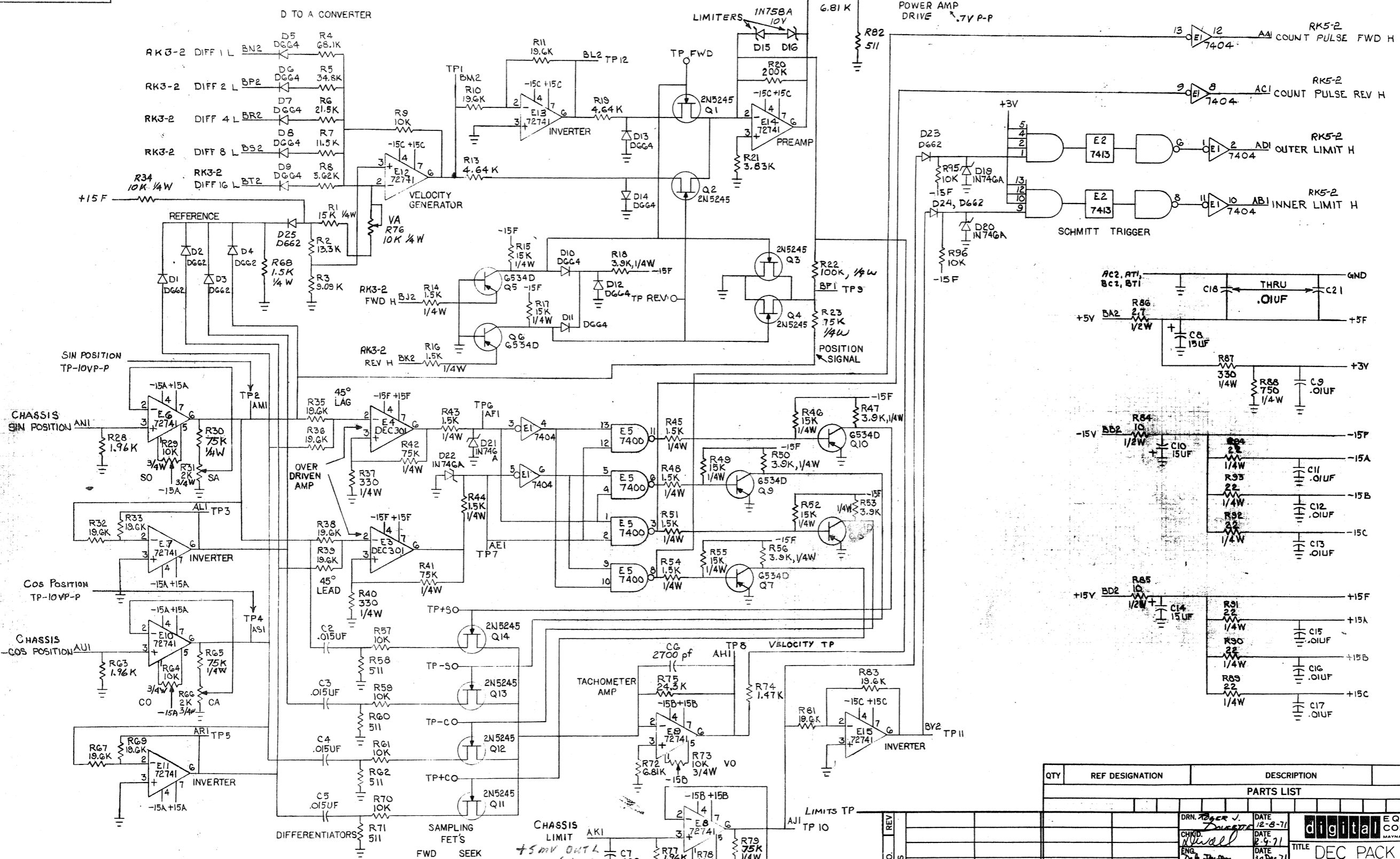
digital EQUIPMENT CORPORATION
 MAYNARD MASSACHUSETTS

TITLE: **DEC PACK HEAD POSITION SERVO PREAMP**
 RK5-1

SCALE: D/C5
 SHEET 1 OF 2

SIZE CODE: D/C5
 NUMBER: G938-0-1
 REV: L

This drawing and specifications herein are the property of Digital Equipment Corporation and shall not be reproduced or copied in whole or in part as the basis for the manufacture or sale of items without written permission.



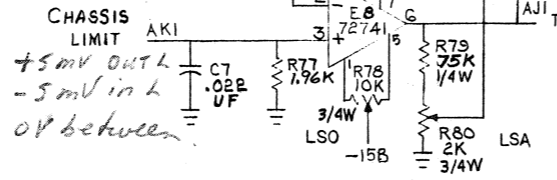
NOTE:
 INT46A ZENER DIODES ARE 3.3V UNLESS OTHERWISE INDICATED;
 RESISTORS ARE 1/8W

DIFFERENTIATORS

| ORDER | FWD | SEEK |
|-------|-----|------|
| 1 | Q13 | |
| 2 | Q11 | |
| 3 | Q14 | |
| 4 | Q12 | |

SAMPLING FETS

| ORDER | FWD | SEEK |
|-------|-----|------|
| 1 | Q13 | |
| 2 | Q11 | |
| 3 | Q14 | |
| 4 | Q12 | |



SLOT 5

| QTY | REF DESIGNATION | DESCRIPTION | PART NO. | ITEM NO. |
|------------|-----------------|-------------|----------|----------|
| PARTS LIST | | | | |
| | | | | |
| | | | | |

| | | | |
|---------------------------------|----------------|--|--|
| DRN. <i>Waller</i> | DATE 12-8-71 | | TITLE DEC PACK HEAD POSITION SERVO PREAMP RK5-2 |
| CHKD. <i>Waller</i> | DATE 2-4-71 | | |
| ENG. <i>Da B. Johnson</i> | DATE 30 Dec 71 | | |
| PROJ. ENG. <i>Da B. Johnson</i> | DATE 30 Dec 71 | | |
| PRD. <i>A. Sullivan</i> | DATE 1/18/72 | | |

| | | |
|-----------|----------|------|
| SIZE CODE | NUMBER | REV. |
| DCS | G938-0-1 | L |

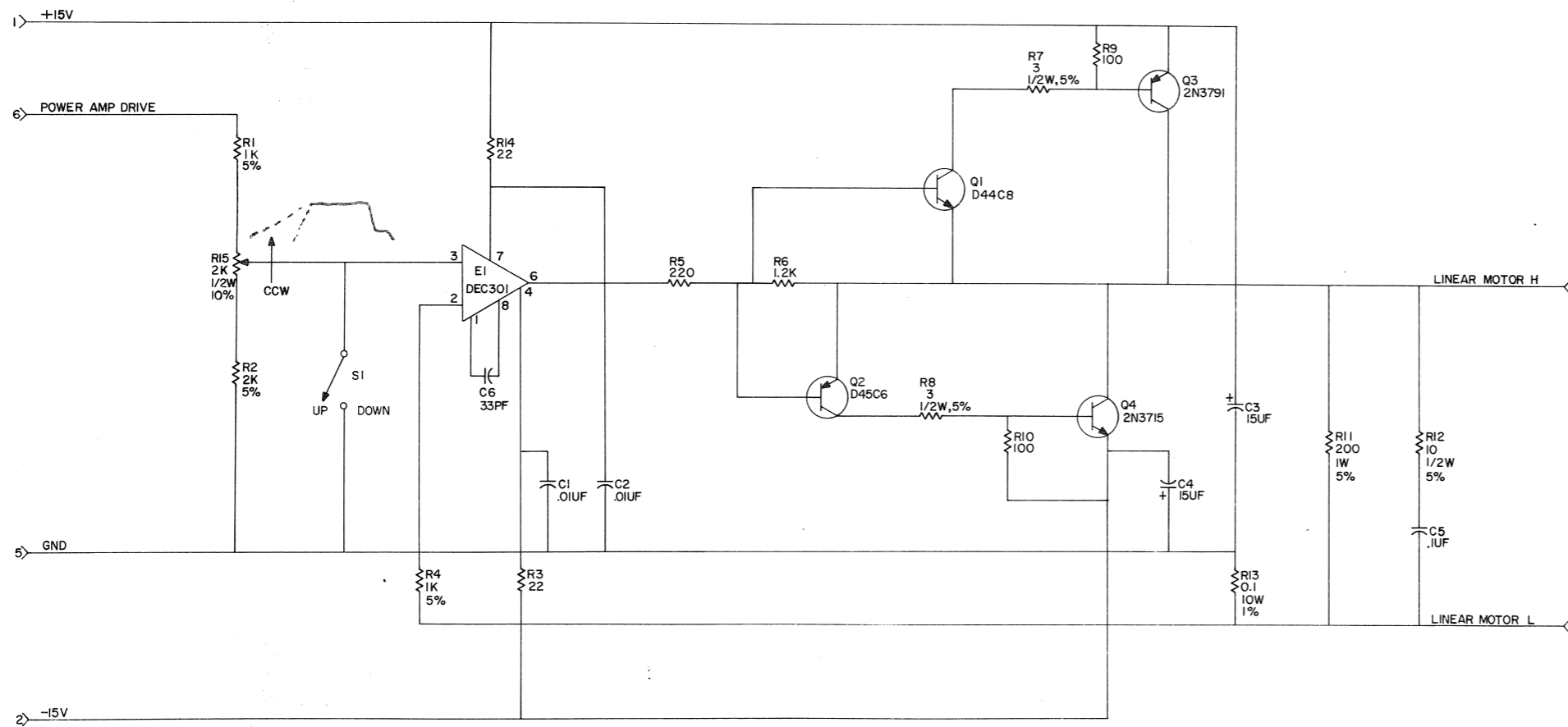
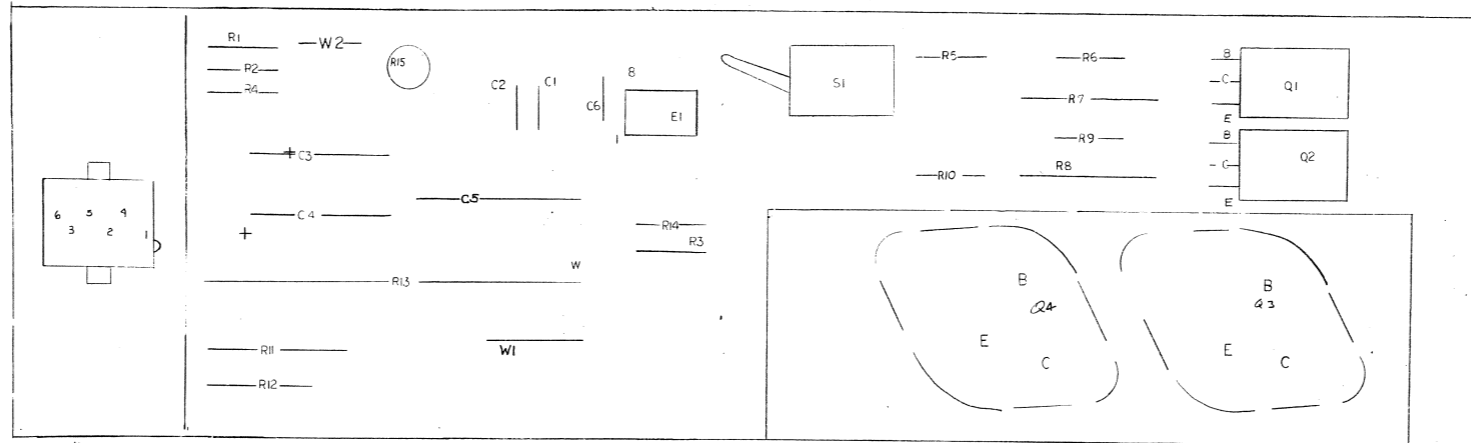
SEMICONDUCTOR CONVERSION CHART

| | |
|-----|-------------|
| REV | DESCRIPTION |
| | |

PART NUMBER G938-0-1
 SIZE CODE DCS
 REV. L

THIS SCHEMATIC IS FURNISHED ONLY FOR TEST AND MAINTENANCE PURPOSES. THE CIRCUITS ARE PROPRIETARY IN NATURE AND SHOULD BE TREATED ACCORDINGLY. COPYRIGHT 1971 BY DIGITAL EQUIPMENT CORPORATION.

1-0-809H SJ: G
3000 1/15



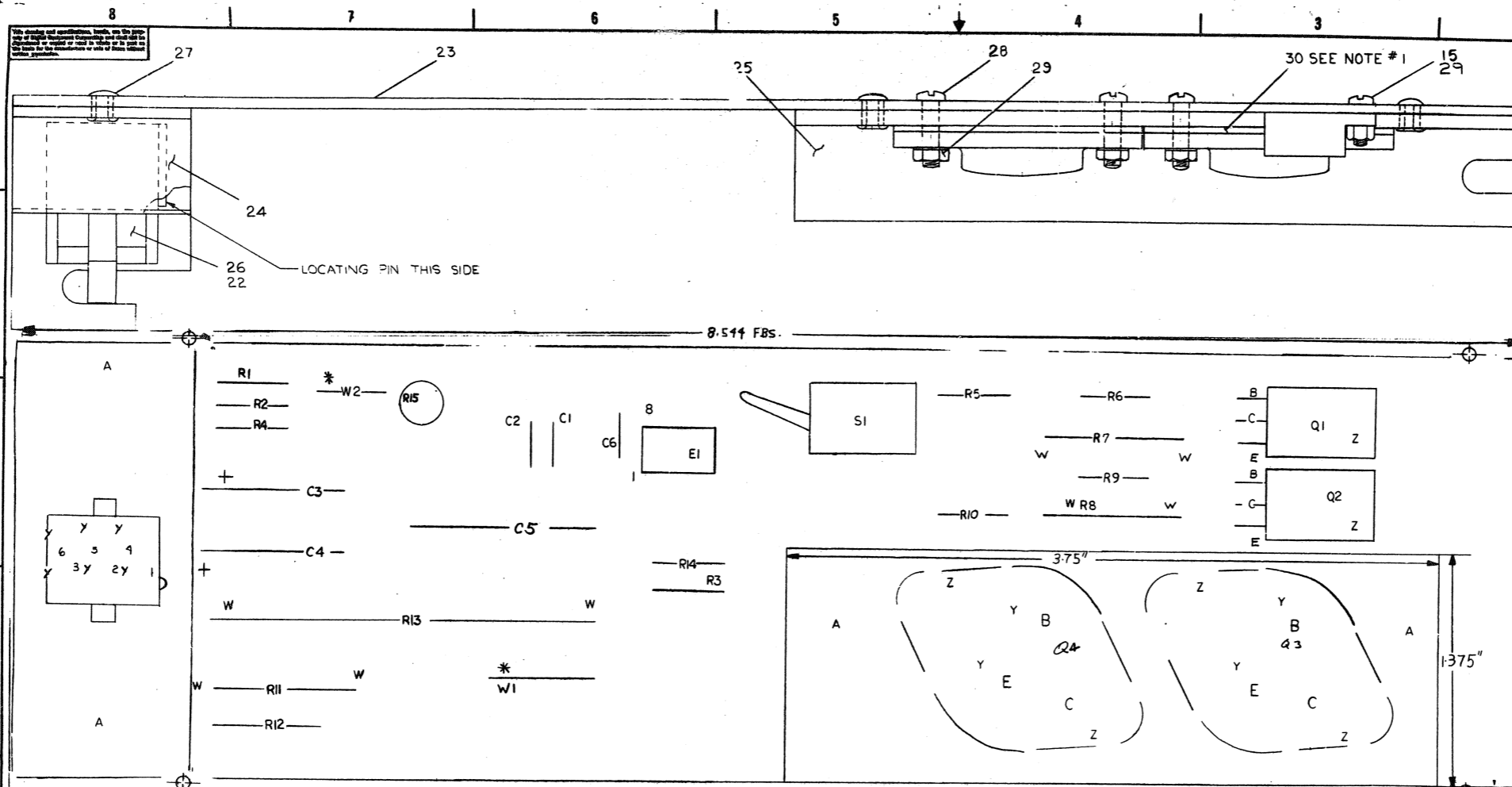
UNLESS OTHERWISE INDICATED:
RES. ARE 1/4W, 10%
R13 IS A CURRENT SAMPLING RES.

| REV | BY | DATE | DESCRIPTION |
|-----|------------|----------|------------------------|
| 1 | W. L. APAL | 11/15/71 | INITIAL DESIGN |
| 2 | D. JENSEN | 12/10/71 | REVISED FOR PRODUCTION |
| 3 | D. JENSEN | 12/10/71 | REVISED FOR PRODUCTION |

| CHK'D | DATE |
|--------------|----------|
| B. J. Jansen | 11/15/71 |
| D. J. Jansen | 12/10/71 |
| D. J. Jansen | 12/10/71 |

| TRANSISTOR & DIODE CONVERSION CHART | | | |
|-------------------------------------|--------|-----|------|
| DATE | DEC | EIA | DATE |
| 11/15/71 | 2N3715 | | |
| 12/10/71 | D45C6 | | |
| 12/10/71 | D44C8 | | |

| | | | |
|------------------------|--|---|------------------|
| digital | | TITLE: DECPAK HEAD POS. SERVO PWR. AMP. | |
| EQUIPMENT CORPORATION | | SITE CODE: D CS | NUMBER: H604-0-1 |
| MAYFORD, MASSACHUSETTS | | REV: J | DATE: 12/10/71 |



NOTES:
 1. APPLY ITEM NO 31 (THERMAL JOINT (SERVO BOARD)) BETWEEN TRANSISTORS (Q.3 & Q.4) AND ITEM NO 30 (WASHER), ALSO BETWEEN ITEM NO 30 (WASHER) AND ITEM NO 25 (BRACKET, HEAT SINK).

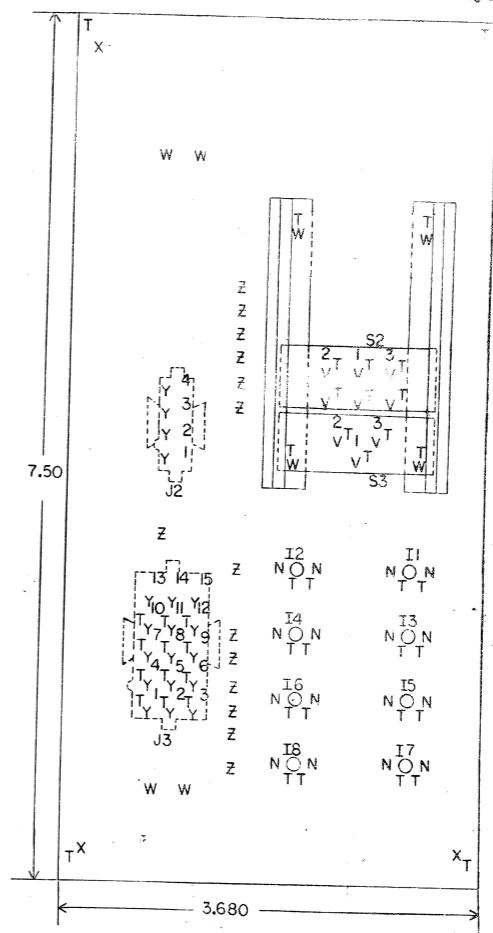
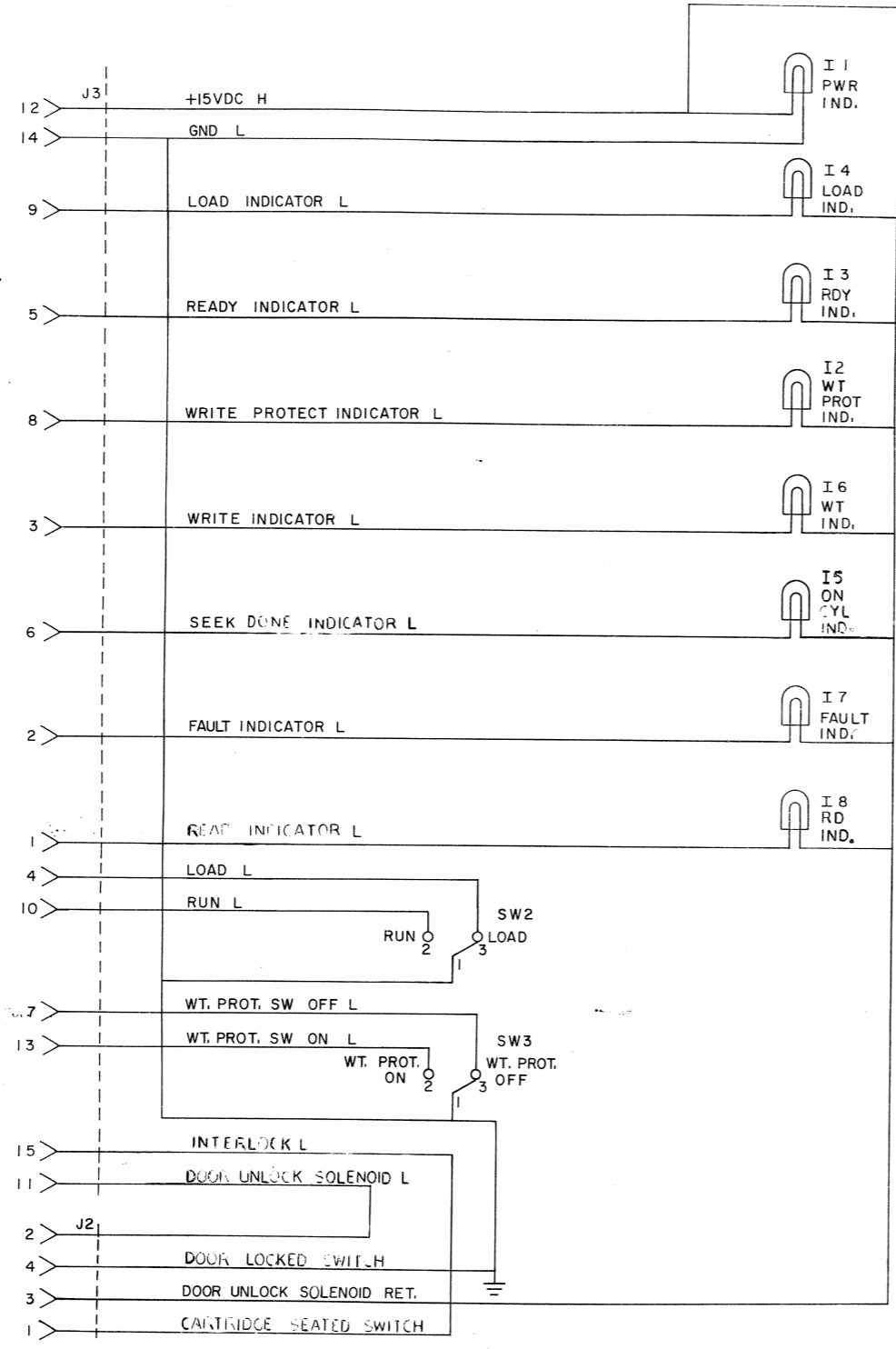
| IC TYPE | QND | +V | ITEM NO | ANG | FROM PT | TO PT |
|---------|-----|----|---------|-----|---------|-------|
| | | | | | | |
| | | | | | | |
| | | | | | | |
| | | | | | | |
| | | | | | | |

| REF | DESCRIPTION | QTY | REF DESIGNATION | DESCRIPTION | PART NO. |
|-----|------------------------------------|-----|-----------------|-------------|--------------------|
| | ASSY HOLE DRILLING LAYOUT | | | | D-M-H604-0-33 |
| | * #22 AWG JUMPER WIRE | | | | 3107560-01 32 |
| | COMPOUND THERMAL JOINT | | | | 9008268 31 |
| | INSULATOR WASHER | | | | 9006721 30 |
| | KEP NUT 4-40 | | | | 9006557 29 |
| | SCR BINDER HD, SLOTTED #4-40X.44 | | | | 9006012-4 28 |
| | EYELET .1210D A .210L6 | | | | 9006732 27 |
| | HOUSING | | | | 1209350-06 26 |
| | BRACKET, HEAT SINK | | | | C-MD-5505810-00 25 |
| | BRACKET, SERVO BOARD | | | | C-MD-5503612-00 24 |
| | ETCHED CIRCUIT BOARD | | | | 9009741 23 |
| | PINS FOR MATE-N-LOCK | | | | 1209456 22 |
| | IC LM301 | | | | 1910282 21 |
| | TRANS 2N3715 | | | | 1503068 20 |
| | TRANS 2N3791 | | | | 1509581 19 |
| | TRANS DEC D45C6 | | | | 1510414 18 |
| | TRANS DEC D44CB OR TIP 31A | | | | 1510421 17 |
| | RES 1K, .25W, 5% | | | | 1300365 16 |
| | SCREW, 4-40X.14 BINDER HD, SLOTTED | | | | 9006009-4 15 |
| | POT 2K 1/2W 10% 62PR | | | | 1309410 14 |
| | RES 1.2K, .25W, 10% | | | | 1300386 13 |
| | RES 220, .25W, 10% | | | | 1300275 12 |
| | RES 200, 1W, 5% | | | | 1302392 11 |
| | RES 100, .25W, 10% | | | | 1300231 10 |
| | RES 22, .25W, 10% | | | | 1300188 9 |
| | RES 10, .5W, 5% | | | | 1300168 8 |
| | RES 3, .5W, 5% | | | | 1301643 7 |
| | RES 1, 10W, 1% | | | | 1309108 6 |
| | SWITCH TOGGLE T-800H | | | | 1210209 5 |
| | CAP 15UF, 20V, 10% | | | | 1004812 4 |
| | CAP 33PF, 100V, 5% | | | | 1000009 3 |
| | CAP .1UF, 100V, 10% | | | | 1002342 2 |
| | CAP .01UF, 100V, 20% | | | | 1001610 1 |
| | C1, C2 | | | | |
| | RES 2K 1/4W 5% | | | | 1302388 34 REF |
| | | | | | 35 REF |
| | | | | | 34 REF |

| DEC NO. | EIA NO. | DEC NO. | EIA NO. |
|---------|---------|---------|---------|
| | | | |
| | | | |

EQUIPMENT CORPORATION
 HEAD POSITION SERVO POWER AMP
 EJA H604-0-0

THIS SCHEMATIC IS FURNISHED ONLY FOR TEST AND MAINTENANCE PURPOSES. THE CIRCUITS ARE PROPRIETARY IN NATURE AND SHOULD BE TREATED ACCORDINGLY. COPYRIGHT 1971 BY DIGITAL EQUIPMENT CORPORATION



| REV | CHG NO | REV | CHK'D | DATE |
|-----|--------|-----|-----------|----------|
| 1 | D | 1 | D. JENSEN | 11/20/71 |
| 2 | D | 2 | D. JENSEN | 11/20/71 |
| 3 | D | 3 | D. JENSEN | 11/20/71 |
| 4 | D | 4 | D. JENSEN | 11/20/71 |
| 5 | D | 5 | D. JENSEN | 11/20/71 |
| 6 | D | 6 | D. JENSEN | 11/20/71 |
| 7 | D | 7 | D. JENSEN | 11/20/71 |
| 8 | D | 8 | D. JENSEN | 11/20/71 |
| 9 | D | 9 | D. JENSEN | 11/20/71 |
| 10 | D | 10 | D. JENSEN | 11/20/71 |
| 11 | D | 11 | D. JENSEN | 11/20/71 |
| 12 | D | 12 | D. JENSEN | 11/20/71 |
| 13 | D | 13 | D. JENSEN | 11/20/71 |
| 14 | D | 14 | D. JENSEN | 11/20/71 |
| 15 | D | 15 | D. JENSEN | 11/20/71 |

DRN. S. COOPER DATE 11-20-71
 CHK'D DATE
 ENG. D. JENSEN DATE 11-20-71
 PROD. DATE

| TRANSISTOR & DIODE CONVERSION CHART | | | |
|-------------------------------------|-----|-----|-----|
| DEC | EIA | DEC | EIA |
| | | | |
| | | | |
| | | | |
| | | | |

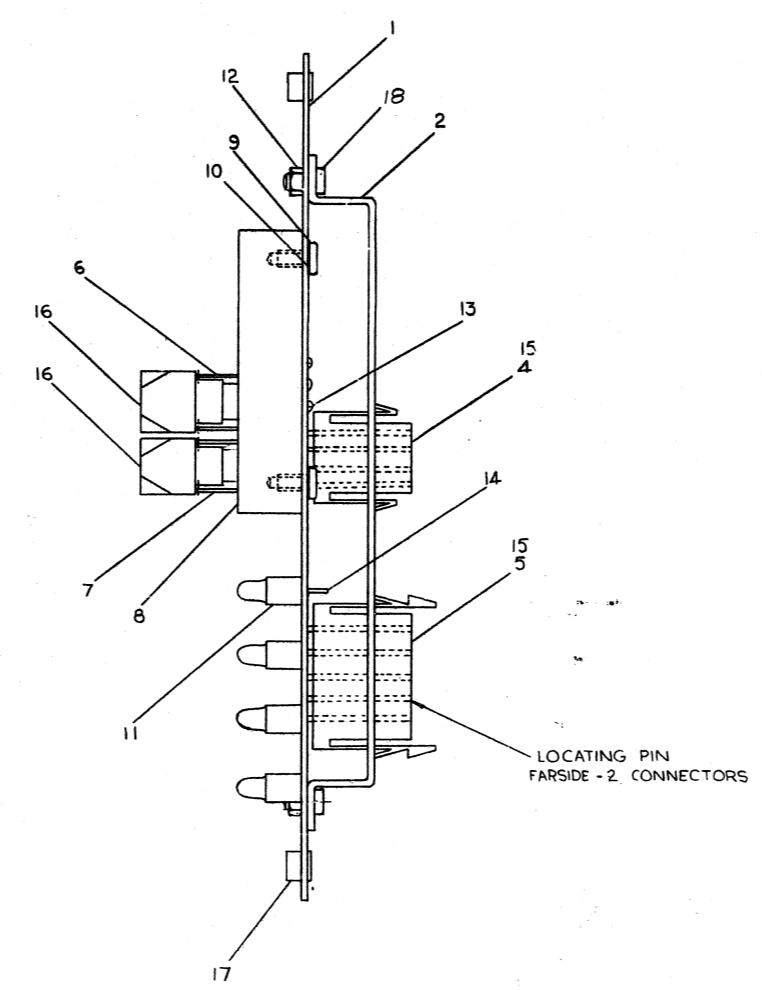
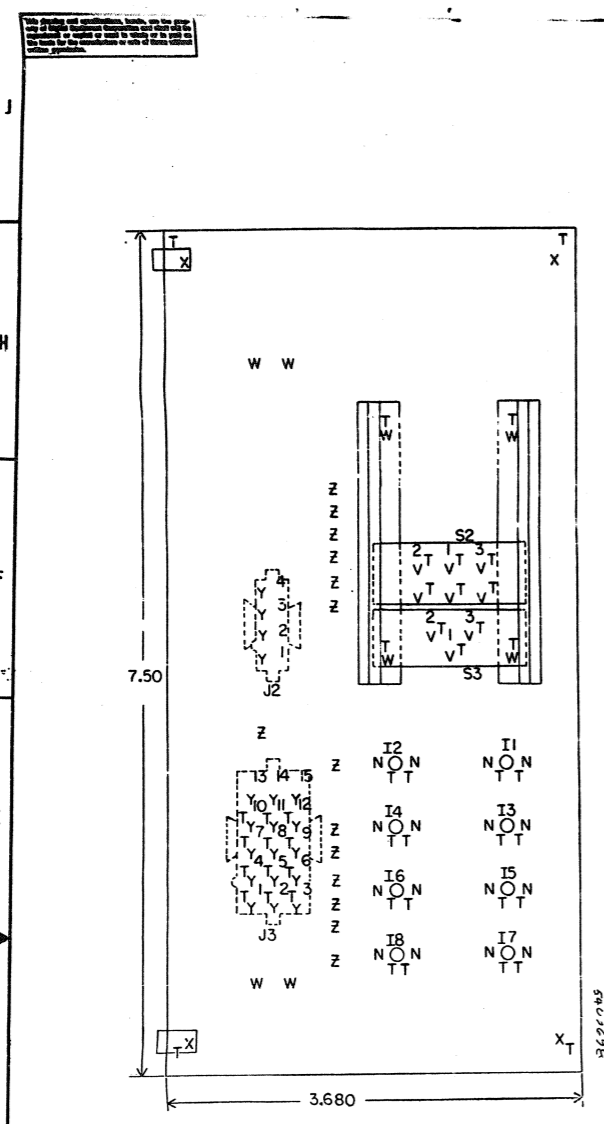
digital EQUIPMENT CORPORATION

TITLE: RK05 CONTROL PANEL

NUMBER: 5409698-0-1

REV. D

REV. D
 NUMBER 5409698-0-1
 SIZE CODE C CS



| IC TYPE | QND | +5V | ITEM NO | AWG | FROM PT | TO PT |
|------------------|-----|-----|---------|-----|---------|-------|
| IC PIN LOCATIONS | | | | | | |
| JUMPER LIST | | | | | | |

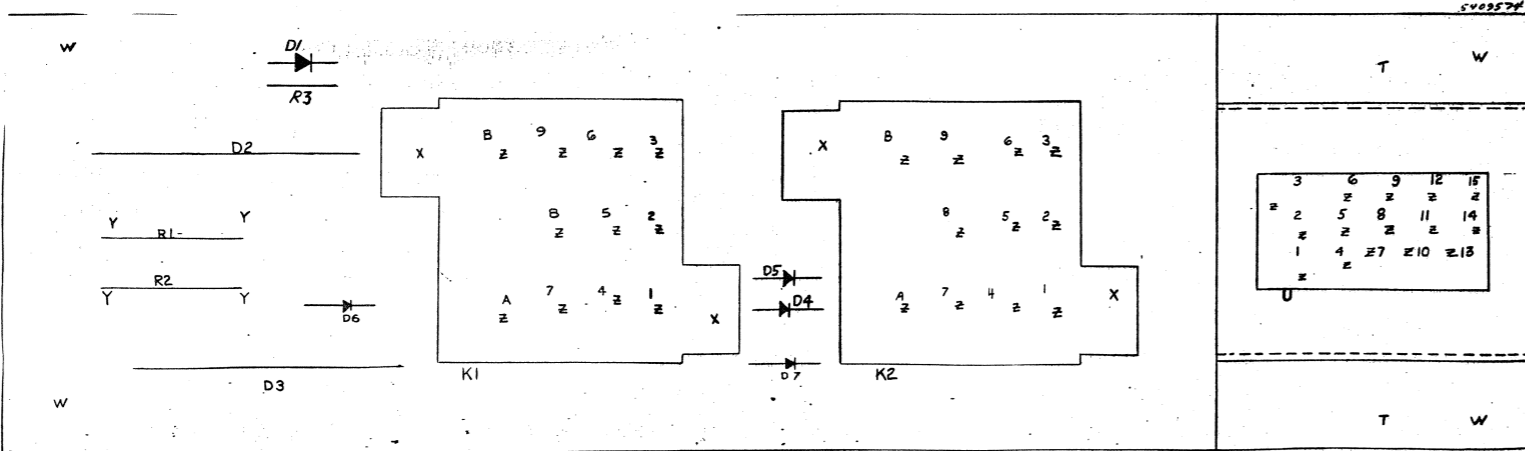
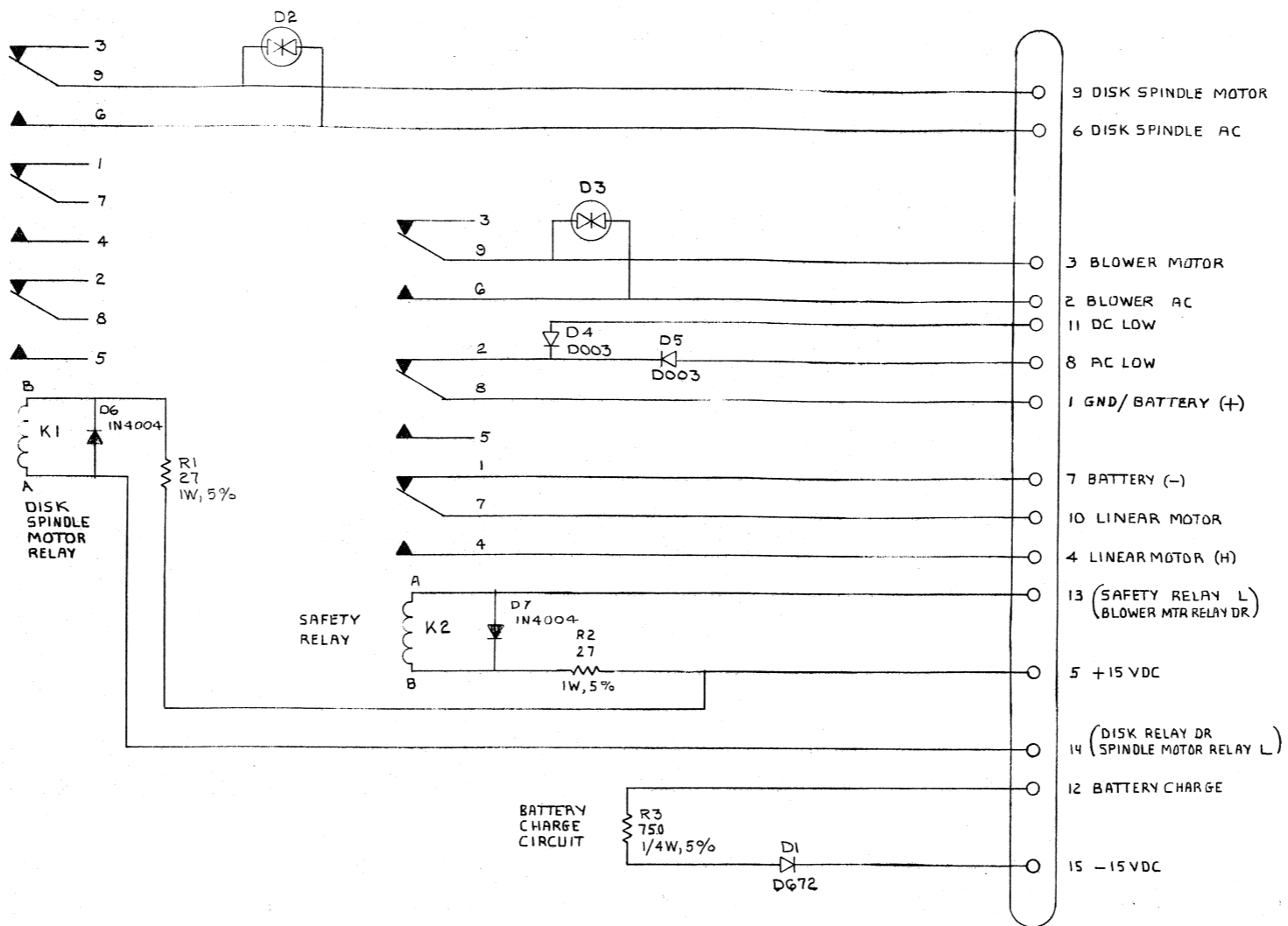
| REF | DESCRIPTION | QTY | PART NO. |
|-----|---------------------------------|------------------|----------------|
| 4 | ASSY/DRILLING HOLE LAYOUT | 1 | DAH-5409698-05 |
| 4 | SCR, PHL PAN HD *4-40x5/16 LG | 9006010-1 | 18 |
| 4 | NUT CLIP #6-32 | 9008423 | 17 |
| 2 | SWITCH BUTTON | 1205317-07 | 16 |
| 18 | PIN SOCKET MATE-N-LOCK | 1209456 | 15 |
| 16 | TERMINAL SOLDERLESS | 9007912 | 14 |
| 16 | EYELET FEED THROUGH | 9006781 | 13 |
| 4 | NUT KEPS #4-40 | 9006557 | 12 |
| 8 | LAMP | 1209169 | 11 |
| 4 | LOCK WASHER INTERNAL 6-32 | 9006633 | 10 |
| 4 | SCREW PHL PAN HEAD 6-32x5/16 LG | 9006021-1 | 9 |
| 2 | SWITCH MOUNTING BAR | B-HD-5509698-0-0 | 8 |
| 1 | SWITCH, ROCKER | 1205375 | 7 |
| 1 | SWITCH, ROCKER | 1205941 | 6 |
| 1 | HOUSING, SOCKET MATE-N-LOCK 5PH | 1209350-15 | 5 |
| 1 | HOUSING, SOCKET MATE-N-LOCK 4PH | 1209350-04 | 4 |
| 1 | CONNECTOR BRACKET | C-MD-5509698-0-0 | 3 |
| 1 | ETCHED CIRCUIT BOARD | 9009697 | 1 |
| REF | MODULE ECO HISTORY | B-MH-5409698-0-6 | |
| REF | X-Y CO-ORDINATE HOLE LOCATION | K-CD-5409698-0-4 | |
| REF | CIRCUIT SCHEMATIC | C-CS-5409698-0-1 | |

| | | | | | |
|--------------------------------|---------|------------------|---------|---|--|
| FIRST USED ON OPT/MOD RK05 | | ETCH BOARD REV D | | PARTS LIST | |
| DEC NO. | EIA NO. | DEC NO. | EIA NO. | EQUIPMENT CORPORATION | |
| SEMICONDUCTOR CONVERSION CHART | | | | TITLE RK7-2 CONTROL PANEL (RK05) | |
| D. JENSEN | | | | EIA 5409698-0-0 | |

This drawing and specifications, herein, are the property of Digital Equipment Corporation and shall not be reproduced or copied or used in whole or in part as the basis for the manufacture or sale of items without written permission.

REV. F 5409574-0-1

- NOTE:
1. RELAY CONTACTS ARE SHOWN IN THE DE-ENERGIZED POSITIONS.
 2. SAFETY RELAY L AND BLOWER MTR RELAY DR ARE THE SAME SIGNAL.
 3. SPINDLE MOTOR RELAY L AND DISK RELAY DR ARE THE SAME SIGNAL.



REVISIONS

| REV | CHK | CHANGE NO. | DATE |
|-----|-----------|------------|---------|
| 1 | N. FIELD | | 2/13/75 |
| 2 | R. JENSEN | | 2/15/73 |
| 3 | D. JENSEN | | 2/15/73 |
| 4 | D. JENSEN | | 2/15/73 |
| 5 | D. JENSEN | | 2/15/73 |

| QTY | REF DESIGNATION | DESCRIPTION | PART NO. | ITEM NO. |
|-----|-----------------|-------------|----------|----------|
| | D003 | IN994 | | |
| | D672 | IN3653 | | |

| | |
|----------------------|---------------|
| DRN. ROGER J. FROST | DATE 12-9-71 |
| CHK'D. J. QUINN | DATE 12-15-71 |
| ENG. D. JENSEN | DATE 12-15-71 |
| PROJ. ENG. D. JENSEN | DATE 12-15-71 |
| PROD. J. QUINN | DATE 12-15-71 |

TITLE: DEC PACK MOTOR RELAYS

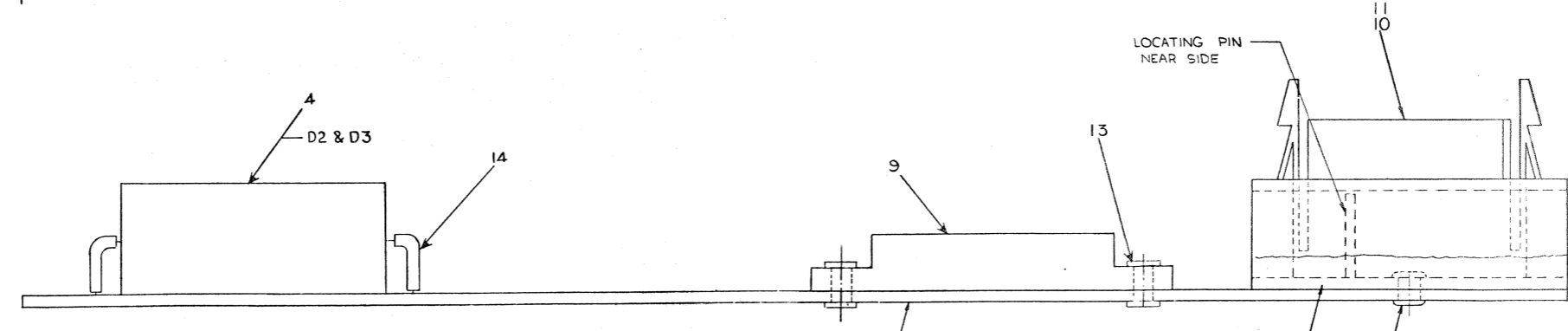
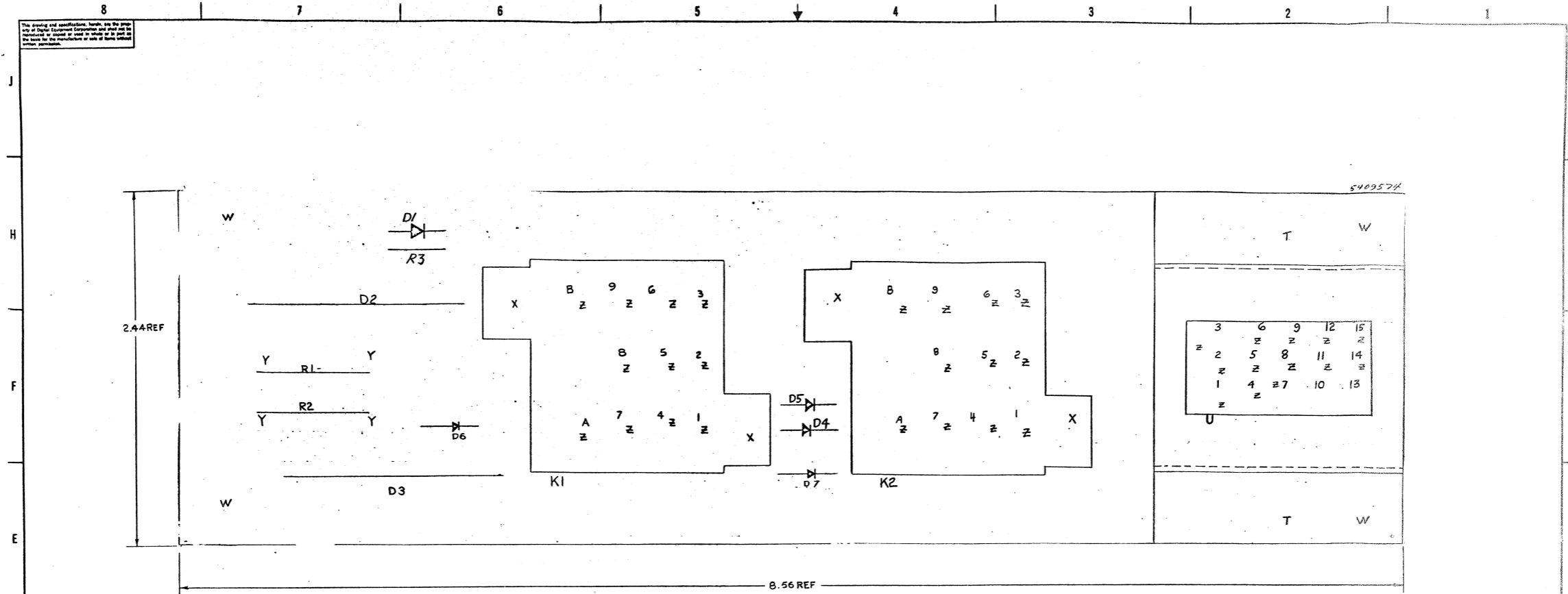
digital EQUIPMENT CORPORATION
MAYNARD, MASSACHUSETTS

SCALE: DIST. 1 OF 1

SIZE CODE: DCS 5409574-0-1 REV. F

SIZE CODE NUMBER DCS 5409574-0-1 F

This drawing and specifications, hereto, are the property of Digital Equipment Corporation and shall not be reproduced or used in whole or in part in any other drawing or specification without the written permission of Digital Equipment Corporation.



| IC TYPE | GND | +5V | ITEM NO | AWG | FROM PT | TO PT |
|------------------|-----|-----|---------|-----|---------|-------|
| IC PIN LOCATIONS | | | | | | |
| JUMPER LIST | | | | | | |

| QTY | REF DESIGNATION | DESCRIPTION | PART NO. | ITEM NO. |
|-----|-----------------|----------------------|----------|----------|
| 2 | D1, D7 | DIODE 1N4004 | 1105795 | 76 |
| 1 | R3 | 1/4W 5% RESISTOR | 1105795 | 76 |
| 2 | D2, D3 | DIODE 1N4004 | 1105795 | 76 |
| 1 | R1, R2 | 1/4W 5% RESISTOR | 1105795 | 76 |
| 1 | R4 | 1/4W 5% RESISTOR | 1105795 | 76 |
| 1 | R5 | 1/4W 5% RESISTOR | 1105795 | 76 |
| 1 | R6 | 1/4W 5% RESISTOR | 1105795 | 76 |
| 1 | R7 | 1/4W 5% RESISTOR | 1105795 | 76 |
| 1 | K1 | RELAY | 1105795 | 76 |
| 1 | K2 | RELAY | 1105795 | 76 |
| 1 | CON | 15 PIN MATE-N-LOCK | 1105795 | 76 |
| 1 | PCB | ETCHED CIRCUIT BOARD | 1105795 | 76 |

CAUTION
CHANGE COULD AFFECT U.L. LISTING

| | | | |
|--------------------------------|--|------------------------|--|
| FIRST USED ON | | PARTS LIST | |
| RK05 | | ETCH BOARD REV F | |
| DRAWN BY: [Signature] | | DATE: [Date] | |
| CHECKED BY: [Signature] | | DATE: [Date] | |
| TITLE: DECPACK MOTOR RELAYS | | EQUIPMENT COORDINATION | |
| D-672 1N3653 | | DATE: [Date] | |
| D-103 1N3653 | | DATE: [Date] | |
| D-11A RK05-0-0 | | DATE: [Date] | |
| DEC NO. EIA NO. | | SCALE: 4:1 | |
| SEMICONDUCTOR CONVERSION CHART | | SHEET 1 OF 1 | |

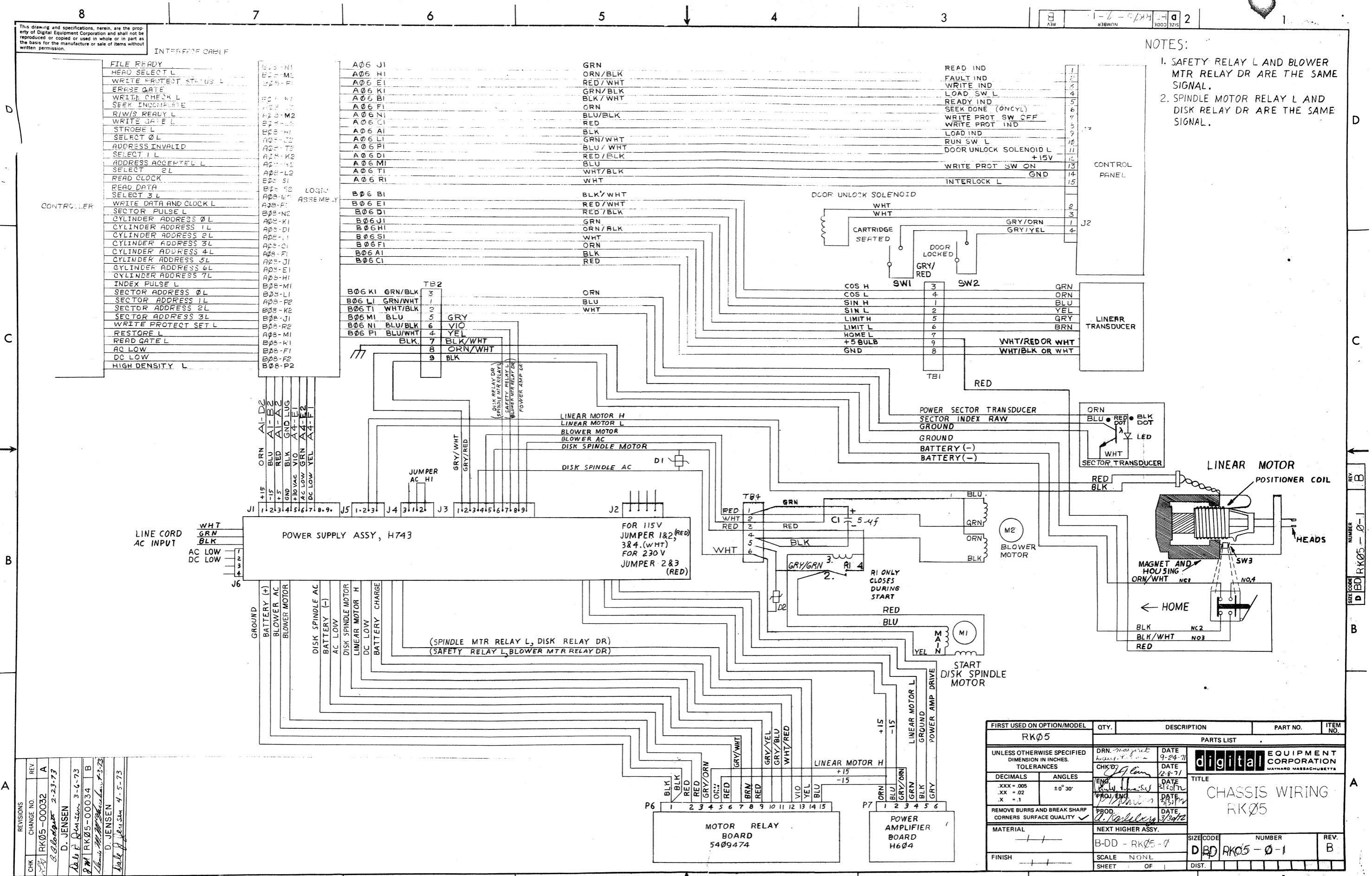
This drawing and specifications, herein, are the property of Digital Equipment Corporation and shall not be reproduced or copied or used in whole or in part as the basis for the manufacture or sale of items without written permission.

INTERFACER ORAL F

REV 1-1-73
 SIZE CODE
 #388
 a 2

NOTES:

1. SAFETY RELAY L AND BLOWER MTR RELAY DR ARE THE SAME SIGNAL.
2. SPINDLE MOTOR RELAY L AND DISK RELAY DR ARE THE SAME SIGNAL.



| FIRST USED ON OPTION/MODEL | QTY. | DESCRIPTION | PART NO. | ITEM NO. |
|--|----------|-----------------|---------------|---|
| RK05 | | | | |
| UNLESS OTHERWISE SPECIFIED DIMENSION IN INCHES. TOLERANCES | | | | |
| DECIMALS | ANGLES | PARTS LIST | | |
| XXX - .005 | ± 0° 30' | DRN. Margaret | DATE 9-24-71 | digital EQUIPMENT CORPORATION MAYNARD, MASSACHUSETTS |
| XX - .02 | | CHK'D J. Jensen | DATE 12-8-71 | |
| X - .1 | | ENG. J. Jensen | DATE 3/5/72 | |
| | | PROD. G. V. ... | DATE 3/5/72 | |
| REMOVE BURRS AND BREAK SHARP CORNERS SURFACE QUALITY | | | | |
| MATERIAL | | | | |
| NEXT HIGHER ASSY. | | | | |
| FINISH | | | SIZE CODE | NUMBER |
| SCALE NONE | | | B-DD - RK05-0 | |
| SHEET OF | | | D-BD RK05-0-1 | REV. B |

REVISIONS

| CHK | CHANGE NO. | REV |
|-----|------------|-----|
| | 1 | A |
| | 2 | B |
| | 3 | C |
| | 4 | D |

D. JENSEN
 3-6-73
 D. JENSEN
 3-6-73
 D. JENSEN
 4-5-73

DIGITAL EQUIPMENT CORPORATION
MAYNARD, MASSACHUSETTS

ACCESSORY LIST

LEGEND

- D DOCUMENT
- DN DOCUMENT CHANGE NOTICE
- PA PAPER TAPE ASCII
- PB PAPER TAPE BINARY
- PM PAPER TAPE READ-IN-MODE

QUANTITY / VARIATION

| | | |
|--|--|--------------|
| MADE BY DATE G. Schneider | CHECKED <i>[Signature]</i> DATE 8/17/72 | SECTION |
| ENG <i>[Signature]</i> DATE 8/17/72 | PROD <i>[Signature]</i> DATE 8/17/72 | ISSUED SECT. |

| ITEM NO. | DWG. NO. / PART NO. | DESCRIPTION | ALL RK05's for all RK05's | ALL RK05's for all RK8E's | | | | | | | KIT CHECK | BY | DATE | INSTALLATION CHECK | BY | DATE |
|--|---------------------------|--|---------------------------|---------------------------|--|--|--|--|--|--|-----------|----|------|--------------------|----|------|
| 1 | RK05-0 | Customer Print Set (B-DD-RK05-0 Sheet one only) | 1 | 1 | | | | | | | | | | | | |
| 2 | DEC-RK05-TPB-1 | ILLUSTRATED PARTS BREAK DOWN FOR RK05 | 1 | 1 | | | | | | | | | | | | |
| 3 | DEC-00-RK05-DA | Maintenance Manual | 1 | 1 | | | | | | | | | | | | |
| 4 | BC 11A-6 | Unibus Cable 6 feet | 1 | 1 | | | | | | | | | | | | |
| 5 | 2200007 | Head Cleaning Kit | 1 | 1 | | | | | | | | | | | | |
| 6 | 3010350-00 | Disk Cartridge 12 Sector | 1 | 0 | | | | | | | | | | | | |
| 7 | 3010350-02 | Disk Cartridge 16 Sector | 0 | 1 | | | | | | | | | | | | |
| 8* | A-AD-7009276-Q-0 | Mounting Hardware KIT | 1 | 1 | | | | | | | | | | | | |
| 9* | 1209152-0-2 REF | Slide Chassis (Use set that was issued to Assy Line) | 1 | 1 | | | | | | | | | | | | |
| NOTE: The following items are additionally required when unit is shipped in a rack. | | | | | | | | | | | | | | | | |
| 10 | 749691-1 | Shipping Bracket (Left Hand) | 1 | 1 | | | | | | | | | | | | |
| 11 | 749691-2 | Shipping Bracket (Right Hand) | 1 | 1 | | | | | | | | | | | | |
| 12** | 3611382 | Drive Identification Numbers | 1 | 1 | | | | | | | | | | | | |
| *NOTE: If unit is shipped in a rack, Items 8 and 9 are mounted to the rack. | | | | | | | | | | | | | | | | |
| **NOTE: Attach the drive identification number set to the instruction sheet #DEC-16-(379)-1094-N573 using transparent adhesive tape. Insert sheet behind front cover of maintenance manual | | | | | | | | | | | | | | | | |

| | | | | | |
|---------------------------|-----------|---------------------|---------------------|-----------|----------------------|
| TITLE DECpack Assembly | ASSY. NO. | SIZE CODE A AL | NUMBER RK05-0-17 | REV. E | ECO NO RK05-00052 |
| SHEET 1 OF 1 | DIST. | | | | |

DRAWING DIRECTORY

CUSTOMER PRINT SET INDEX

THIS IS PRINT SET

| | | | | | |
|--|--|--|--|--|--|
| | | | | | |
|--|--|--|--|--|--|

DRAWING DIRECTORY
CIRCUIT SCHEMATIC
±5V REGULATOR
CIRCUIT SCHEMATIC
±15V REGULATOR
CIRCUIT SCHEMATIC

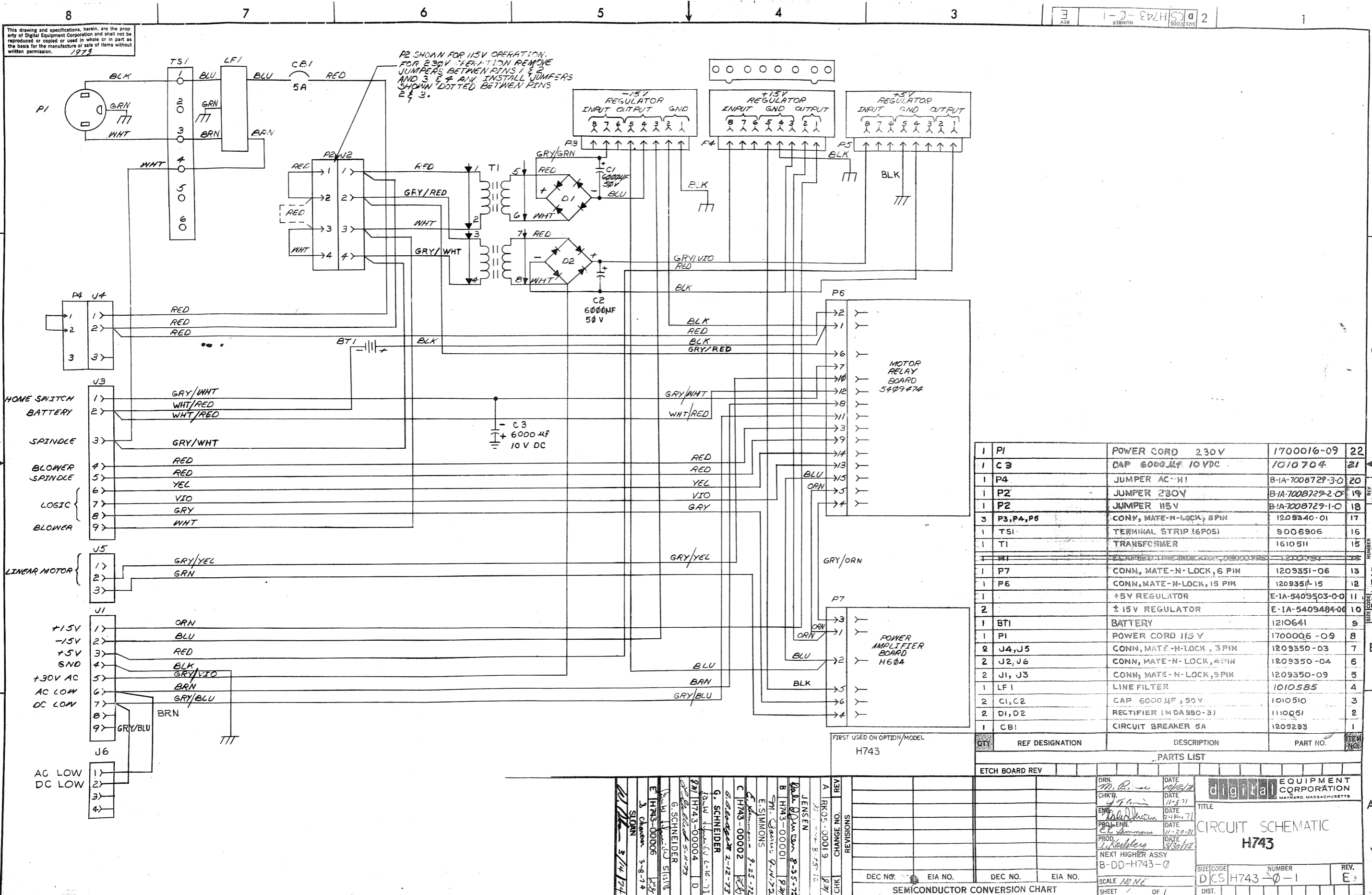
SEQUENCE TB-DD-H743-*φ* SHEET #1 ONLY
D-CS-H743-*φ*-1
E-1A-5409503-0-0
D-CS-5409503-0-1
E-1A-5409484-0-0
D-CS-5409484-0-1

SEQUENCE T
MFG PRINTS
POWER SUPPLY D-UA-H743-0-0
POWER SUPPLY (PL) A-PL-H743-0-0
DRAWING DIRECTORY B-DD-H743-*φ*
PACKAGING INSTRUCTION A-PI-3700130-0-0

| VARIATION | TITLE | PRINT SET TYPE | | | | | |
|-----------|-------------------|----------------|--|--|--|--|--|
| | | | | | | | |
| H743-AA | POWER SUPPLY 115V | X | | | | | |
| H743-AB | POWER SUPPLY 230V | X | | | | | |
| | | | | | | | |
| | | | | | | | |
| | | | | | | | |
| | | | | | | | |
| | | | | | | | |
| | | | | | | | |
| | | | | | | | |
| | | | | | | | |
| | | | | | | | |
| | | | | | | | |
| | | | | | | | |
| | | | | | | | |
| | | | | | | | |
| | | | | | | | |
| | | | | | | | |
| | | | | | | | |
| | | | | | | | |
| | | | | | | | |
| | | | | | | | |
| | | | | | | | |
| | | | | | | | |
| | | | | | | | |
| | | | | | | | |
| | | | | | | | |

| REVISIONS | CHG. NO. | REV | | | | | | | | | | |
|-----------|----------|--------|--------|--------|--------|--------|--------|--------|---------|---|--|--|
| | | A | B | C | D | E | F | H | J | K | | |
| DATE | RK05-19 | H743-1 | H743-2 | H743-3 | H743-4 | H743-5 | H743-6 | H743-7 | H743-10 | | | |
| | | | | | | | | | | | | |

| USED ON OPTION/MODEL | | DRN. | DATE | TITLE | SIZE CODE | | NUMBER | REV |
|----------------------|------|-----------------|---------|---------------------|-----------|----|----------------|-----|
| | RK05 | J. FLEMING | 12/6/71 | POWER SUPPLY (H743) | B | DD | H743- <i>φ</i> | K |
| | | CHK'D. | DATE | | | | | |
| | | <i>A.G. ...</i> | 7-7-72 | | | | | |
| | | PROJ ENG. | DATE | | | | | |
| | | <i>M. ...</i> | 4/22/72 | | | | | |
| | | PROD. | DATE | | | | | |
| | | <i>A. ...</i> | 4/11/72 | | | | | |
| | | FIELD SERV. | DATE | | | | | |
| | | <i>C. ...</i> | | | | | | |
| SHEET 1 OF 3 | | | | DIST | 6 | | | |



This drawing and specifications, herein, are the property of Digital Equipment Corporation and shall not be reproduced or copied or used in whole or in part as the basis for the manufacture or sale of items without written permission.
1973

P2 SHOWN FOR 115V OPERATION.
FOR 230V OPERATION REMOVE
JUMPERS BETWEEN PINS 1 & 2
AND 3 & 4 AND INSTALL JUMPERS
SHOWN DOTTED BETWEEN PINS
2 & 3.

| QTY | REF DESIGNATION | DESCRIPTION | PART NO. | REV |
|-----|-----------------|---------------------------|------------------|-----|
| 1 | PI | POWER CORD 230V | 1700016-09 | 22 |
| 1 | C3 | CAP 6000µF 10VDC | 1010704 | 21 |
| 1 | P4 | JUMPER AC-HI | B-1A-7008729-3-0 | 20 |
| 1 | P2 | JUMPER 230V | B-1A-7008729-2-0 | 19 |
| 1 | P2 | JUMPER 115V | B-1A-7008729-1-0 | 18 |
| 3 | P3, P4, P5 | CONN, MATE-N-LOCK, 8PIN | 1209340-01 | 17 |
| 1 | TS1 | TERMINAL STRIP 16POS | 9006906 | 16 |
| 1 | T1 | TRANSFORMER | 1610511 | 15 |
| 1 | P7 | CONN, MATE-N-LOCK, 6 PIN | 1209351-06 | 13 |
| 1 | P6 | CONN, MATE-N-LOCK, 15 PIN | 1209351-15 | 12 |
| 1 | P1 | +5V REGULATOR | E-1A-5409503-0-0 | 11 |
| 2 | P1 | ±15V REGULATOR | E-1A-5409484-0-0 | 10 |
| 1 | BT1 | BATTERY | 1210641 | 9 |
| 1 | PI | POWER CORD 115V | 1700006-09 | 8 |
| 2 | J4, J5 | CONN, MATE-N-LOCK, 3PIN | 1209350-03 | 7 |
| 2 | J2, J6 | CONN, MATE-N-LOCK, 4PIN | 1209350-04 | 6 |
| 2 | J1, J3 | CONN, MATE-N-LOCK, 9PIN | 1209350-09 | 5 |
| 1 | LF1 | LINE FILTER | 1010585 | 4 |
| 2 | C1, C2 | CAP 6000µF, 50V | 1010510 | 3 |
| 2 | D1, D2 | RECTIFIER (M DA990-3) | 1110051 | 2 |
| 1 | CB1 | CIRCUIT BREAKER 5A | 1205293 | 1 |

| ETCH BOARD REV | | PARTS LIST | |
|----------------|----------|------------|----------|
| REV | DATE | REV | DATE |
| 1 | 11-5-71 | 1 | 11-5-71 |
| 2 | 11-24-71 | 2 | 11-24-71 |
| 3 | 11-24-71 | 3 | 11-24-71 |
| 4 | 11-24-71 | 4 | 11-24-71 |

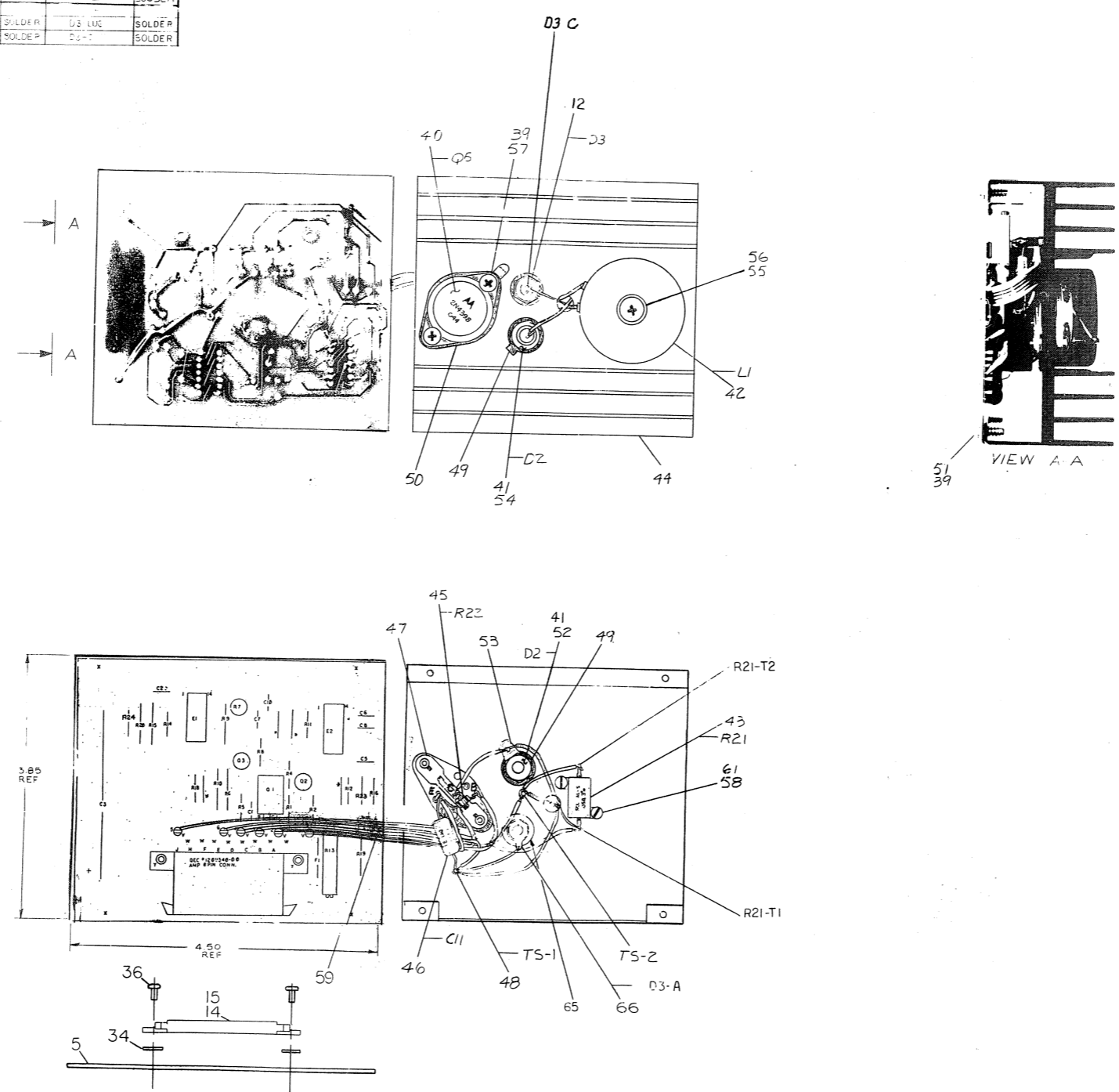
| REV | DATE | REV | DATE |
|-----|----------|-----|----------|
| 1 | 11-5-71 | 1 | 11-5-71 |
| 2 | 11-24-71 | 2 | 11-24-71 |
| 3 | 11-24-71 | 3 | 11-24-71 |
| 4 | 11-24-71 | 4 | 11-24-71 |

The drawing and specifications herein are the property of Digital Equipment Corporation and shall not be reproduced or copied in whole or in part or the base for the manufacture or sale of items without written permission.

| ITEM NO | DESCR | FROM | TO | CONNECTION | WITH |
|---------|---------|--------|--------|------------|------|
| 19 | WHT | TS-1 | TS-2 | SOLDER | |
| 59 | GRN | TS-1 | TS-2 | SOLDER | |
| 59 | BLK | TS-1 | TS-2 | SOLDER | |
| 59 | GRN | TS-1 | TS-2 | SOLDER | |
| 59 | YEL | R21-T1 | D2-LUG | SOLDER | |
| 62 | WHT/GRN | TS-1 | D2 | SOLDER | |
| 59 | BLK | LI | D2-LUG | SOLDER | |
| 59 | BLK | LI | TS-2 | SOLDER | |
| 59 | GRN | TS-1 | D2-LUG | SOLDER | |
| 59 | YEL | R21-T1 | D2-T | SOLDER | |

| ITEM NO | DESCRIPTION | POL | FROM | TO | POL |
|---------|----------------|-----|------|------|-----|
| 19 | RES 20 5% 1/4W | + | TS-E | TS-B | - |
| 40 | CAP 100 1001 | + | CS-E | TS-1 | - |

NOTES:
 1 R15 IS USED FOR OUTPUT VOLTAGE ADJUSTMENT.
 R7 IS USED FOR OUTPUT CURRENT ADJUSTMENT.
 2 # INDICATES JUMPERS TO BE INSTALLED.



| QTY | REF DESIGNATION | DESCRIPTION | PART NO | ITEM NO | |
|-----|-----------------|-------------------------------|------------------------------|------------------|----|
| 1 | D3 | SOLDER LUG | 9006764 | 86 | |
| 1 | D3 | 1 X FLAT WASHER | 9006614 | 85 | |
| 1 | D3 | CAP 330UF 10V | 1000400 | 84 | |
| 2 | A/R | WIRE 22 AWG TRACER WHT/GRN | 9101400-95 | 82 | |
| 2 | A/R | WASHER INT TOOTH LOCK #2 | 9006631 | 81 | |
| 2 | A/R | WIRE 22 AWG | 9101500-91 | 80 | |
| 2 | A/R | 20 CONNECTOR CABLE | 9101512 | 79 | |
| 2 | 2 | SCR BINDING HD 2.5X3/16 SSI | 9006000-4 | 58 | |
| 1 | 1 | SCR PHIL PAN HD 6-32X1/2 SST | 9006024-1 | 57 | |
| 1 | 1 | SCR PHIL TRUSS HD 10-32X1 SST | 9006077-3 | 56 | |
| 1 | 1 | WASHER INT TOOTH LOCK #10 | 9006635 | 55 | |
| 1 | 1 | BUSHING | 9004441 | 54 | |
| 1 | 1 | SOLDER LUG | 9008150 | 53 | |
| 1 | 4 | NUT HEX 10-32 | 9008564 | 52 | |
| 1 | 4 | SCR PHIL PAN HDHS 32X3/8 S.T | 9008407 | 51 | |
| 1 | 2 | THERMAL INSULATOR | 9008419 | 50 | |
| 1 | 2 | THERMAL INSULATOR | 9008424 | 49 | |
| 1 | 1 | TS1 TS2 | 9008060 | 48 | |
| 1 | 1 | INSULATED TERM STANDOFF | 1210130 | 47 | |
| 1 | 1 | TRANSISTOR SOCKET | 1005507 | 46 | |
| 1 | 1 | CAP 1 UF 100-10 | 1005507 | 45 | |
| 1 | 2 | R22, R23 | RES 100 S 1/4 W | 1300229 | 44 |
| 1 | 1 | R21 | RES 0.1K 1/4 W | 1300229 | 43 |
| 1 | 1 | LI | HEAT SINK | D-1A-530943-0-0 | 42 |
| 1 | 1 | D2 | 120 OHM DIODE | 1310507 | 41 |
| 1 | 1 | D2 | IN 3889 DIODE | 1110491 | 40 |
| 1 | 1 | D2 | 2N 4398 TRANSISTOR | 1505870 | 39 |
| 1 | 1 | D2 | WASHER INT TOOTH #6 | 9006633 | 38 |
| 1 | 1 | R11 | RES 27 1/4W 5 | 1301532 | 37 |
| 1 | 1 | R16 | RES 1.5K 1/4W 5 | 1300391 | 36 |
| 1 | 2 | R15 | EYELETS WA 1733 STIMPSON | 9006145 | 35 |
| 1 | 6 | R15 | SPLIT LUGS | 9006735 | 34 |
| 1 | 2 | E1 E2 | WASHER NYLON | 9006707 | 33 |
| 1 | 1 | D1 | IC 723C 0.1 P. REGULATOR | 1910415 | 32 |
| 1 | 1 | D1 | TRANSISTOR D45CE G.E | 1910414 | 31 |
| 1 | 2 | D2 D3 | TRANSISTOR DEC 6534D | 1503409-00 | 30 |
| 1 | 1 | R8 | RES 2.7K 1/4W 5 | 1309880 | 29 |
| 1 | 2 | R9 R15 | RES 3.3K 1/2W 1 | 1308413 | 28 |
| 1 | 1 | R7 | RES 1K 1/2W 20 | 1308150-3 | 27 |
| 1 | 1 | R13 | RES 1K 10 76PR | 1308143-07 | 26 |
| 1 | 1 | R20 | RES 2.74K 1/8W 1 WF | 1303303 | 25 |
| 1 | 1 | R6 | RES 1K 1/8W 1 WF | 1303114 | 24 |
| 1 | 1 | R19 | RES 1K 1/4W 5 | 1302802 | 23 |
| 1 | 1 | R14 | RES 56 1/4W 5 | 1300445 | 22 |
| 1 | 1 | R10 | RES 4.7K 1/2W 5 | 1301972 | 21 |
| 1 | 1 | R5 | RES 270 1/4W 5 | 1300447 | 20 |
| 1 | 1 | R4 | RES 4.7K 1/4W 5 | 1300447 | 19 |
| 1 | 1 | R12 R12 | RES 1K 1/4W 5 | 1300385 | 18 |
| 1 | 1 | R18 | RES 330 1/4W 5 | 1300295 | 17 |
| 1 | 1 | R24 | RES 0.1K 1/4W 10% | 1300297 | 16 |
| 1 | 1 | R24 | CONNECTION PIN | 1209456 | 15 |
| 1 | 1 | F1 | CONN 8 PIN AMP | 120940-01 | 14 |
| 1 | 1 | F1 | FUSE 5 AMP | 129070 | 13 |
| 1 | 1 | D3 | DIODE 1N4563B 5.6V | 111241 | 12 |
| 1 | 1 | C8 | CAP 02 UF 100V-50% DISC | 1000004 | 11 |
| 1 | 1 | C3 | CAP 330 UF 30V-10% ELEC | 1010509 | 10 |
| 1 | 3 | C1 C5, C10 | CAP 01 UF 100V 20% DISC | 1001810 | 9 |
| 1 | 1 | C7 | CAP 1000 PF 100V 5% MICA | 1000016 | 8 |
| 1 | 1 | C2 | CAP 100 PF 100V 5% CM | 1000016 | 7 |
| 1 | 1 | D6 | CAP 88 PF 100V 5% CM | 1000014 | 6 |
| 1 | 1 | D6 | ETCH CIRCUIT BOARD | 5000502 | 5 |
| 1 | 1 | D6 | MODULE ECU HISTORY | B-M-5409503-0-6 | 4 |
| 1 | 1 | D6 | ASST DRILLING HOLE LAYOUT | D-M-5409503-0-6 | 3 |
| 1 | 1 | D6 | X-Y COORDINATE HOLE LOCATION | S-D-5409503-0-4 | 2 |
| 1 | 1 | D6 | CIRCUIT SCHEMATIC | D-CS-5409503-0-1 | 1 |

| REV | DESCRIPTION |
|-----|---------------|
| 1 | ISSUE FOR FAB |

| REV | DESCRIPTION |
|-----|---------------|
| 1 | ISSUE FOR FAB |

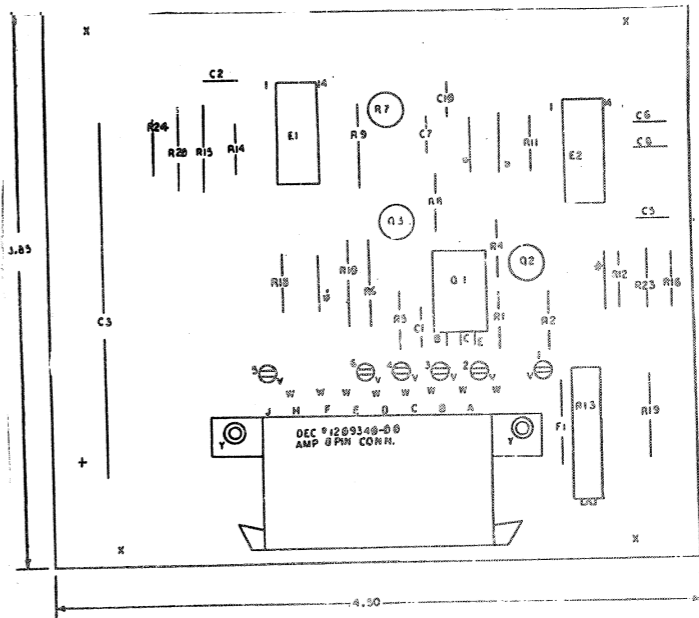
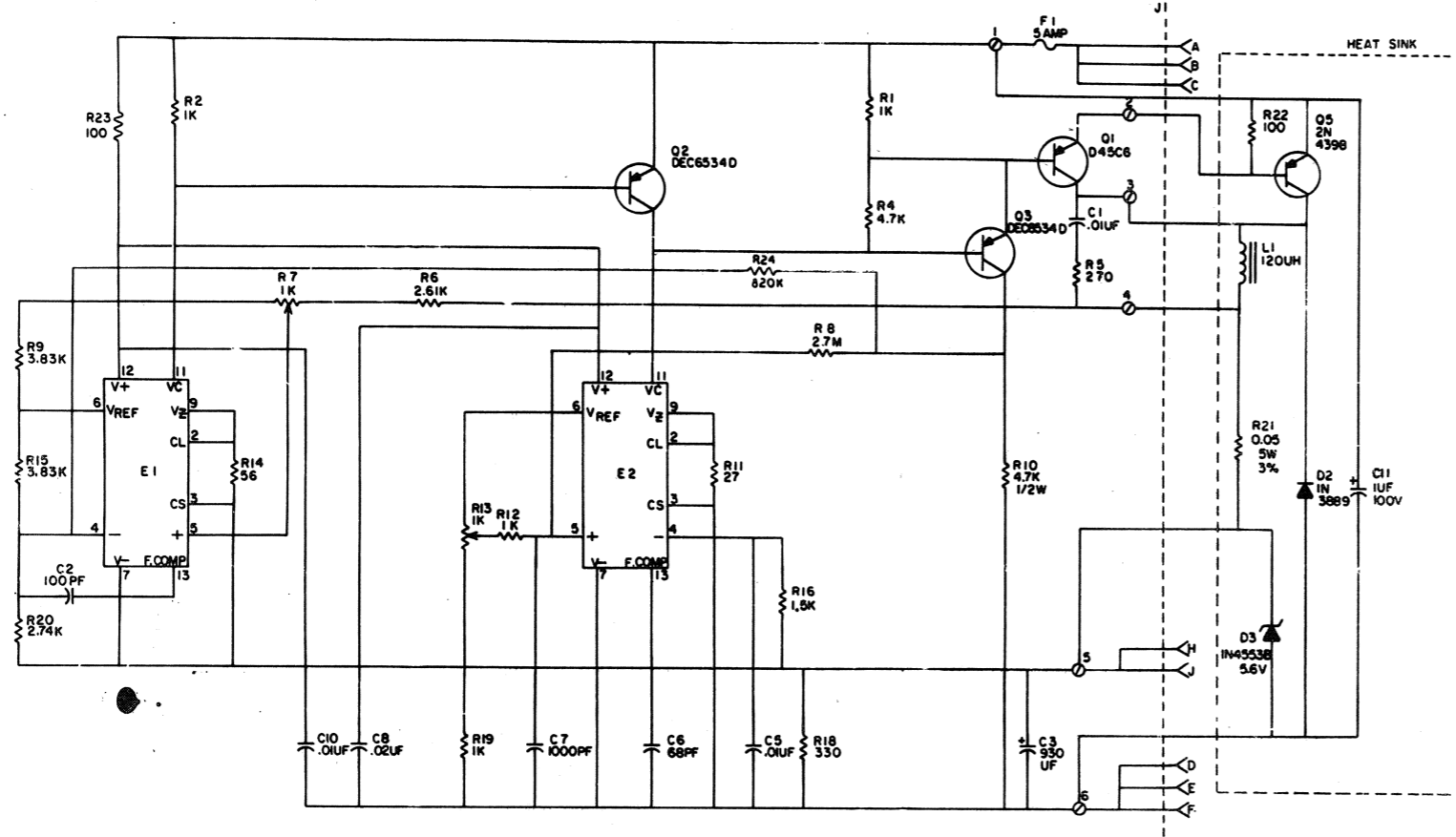
| | | |
|---------|------------|-----------|
| ITEM NO | N 3889 | SAME |
| ITEM NO | N 4399 | SAME |
| ITEM NO | D 45C6 | SAME |
| ITEM NO | N 4441 | SAME |
| ITEM NO | DEC 6534 D | MINI 6534 |
| ITEM NO | IN 752 A | SAME |

SEMICONDUCTOR CONVERSION CHART

| | | | |
|----------------------------|------|------|------|
| UNLESS OTHERWISE SPECIFIED | DATE | DATE | DATE |
| UNLESS OTHERWISE SPECIFIED | DATE | DATE | DATE |
| UNLESS OTHERWISE SPECIFIED | DATE | DATE | DATE |

DIGITAL EQUIPMENT CORPORATION
 TITLE: +5 VOLT POWER REGULATOR
 PART NO: E 1A 5409503-0-0
 SHEET 1 OF 1

THIS SCHEMATIC IS FURNISHED ONLY FOR TEST AND MAINTENANCE PURPOSES THE CIRCUITS ARE PROPRIETARY IN NATURE AND SHOULD BE TREATED ACCORDINGLY COPYRIGHT 1971 BY DIGITAL EQUIPMENT CORPORATION



DATE CODE D CS NUMBER 5409503-0-1 REV M

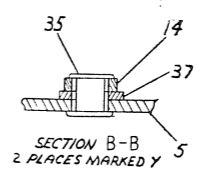
| REV | DATE | BY | CHKD | APP'D |
|-----|--------|---------------|------|-------|
| 1 | 6-2-71 | S. CORPORA | | |
| 2 | 6-7-71 | W. H. HENRICH | | |
| 3 | 7-7-71 | W. H. HENRICH | | |
| 4 | 7-7-71 | W. H. HENRICH | | |
| 5 | 7-7-71 | W. H. HENRICH | | |
| 6 | 7-7-71 | W. H. HENRICH | | |
| 7 | 7-7-71 | W. H. HENRICH | | |
| 8 | 7-7-71 | W. H. HENRICH | | |
| 9 | 7-7-71 | W. H. HENRICH | | |
| 10 | 7-7-71 | W. H. HENRICH | | |
| 11 | 7-7-71 | W. H. HENRICH | | |
| 12 | 7-7-71 | W. H. HENRICH | | |
| 13 | 7-7-71 | W. H. HENRICH | | |
| 14 | 7-7-71 | W. H. HENRICH | | |
| 15 | 7-7-71 | W. H. HENRICH | | |
| 16 | 7-7-71 | W. H. HENRICH | | |
| 17 | 7-7-71 | W. H. HENRICH | | |
| 18 | 7-7-71 | W. H. HENRICH | | |
| 19 | 7-7-71 | W. H. HENRICH | | |
| 20 | 7-7-71 | W. H. HENRICH | | |

| TRANSISTOR & DIODE CONVERSION CHART | | | |
|-------------------------------------|--------|--------|--------|
| DEC | EIA | DEC | EIA |
| DEC6534C | 2N3889 | 2N3889 | 2N3889 |
| D45C6 | 2N3889 | 2N3889 | 2N3889 |
| 2N4398 | 2N4398 | 2N4398 | 2N4398 |

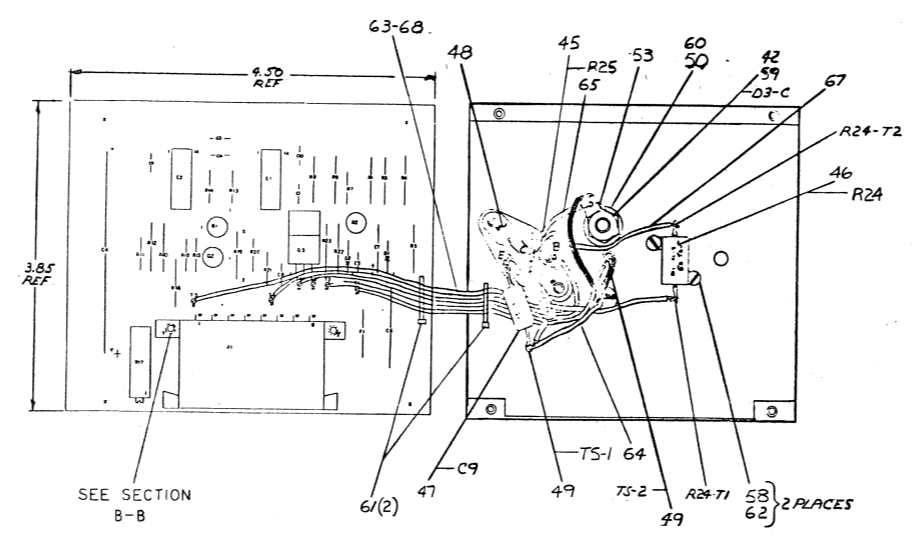
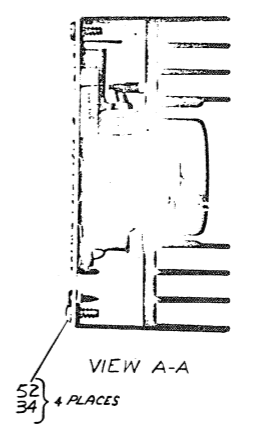
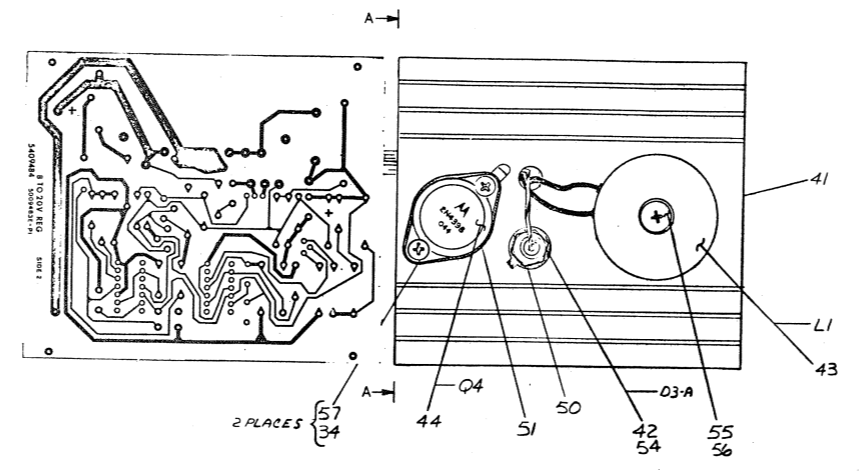
| TITLE | | NUMBER | | REV | |
|------------------------|------|-------------|-----|---------------------|--|
| 15 VOLT REGULATOR | | 5409503-0-1 | | M | |
| DATE | CODE | NUMBER | REV | | |
| D | CS | 5409503-0-1 | M | | |
| EQUIPMENT CORPORATION | | | | PRINTED CIRCUIT REV | |
| MAYFORD, MASSACHUSETTS | | | | F | |

PINKY

| WIRE TABLE | | | | | EXTERNAL COMPONENTS | | | | | | |
|------------|-------------|--------|--------|-------------|---------------------|--------|-----------------|------|-------------|------|------|
| ITEM | DESCRIPTION | LENGTH | STRIP | CONNECTIONS | ITEM NO. | LENGTH | DESCRIPTION | POL. | CONNECTIONS | | |
| NO. | AWG | COLOR | INCHES | LENGTH | FROM | TO | | | FROM | TO | POL. |
| 43 | | BLK | 27/8 | 1/2 | L1 | D3-B | RES-100-39W-5.3 | | C4-B | C4-B | |
| 45 | 1/8 | BLU | 27/8 | 1/2 | G4-C | D3-B | | | C4-B | C4-B | |
| 47 | 1/8 | GRN | 43/8 | 1/2 | D3-A | D3-B | | | C4-B | C4-B | |
| 48 | 1/8 | WHT | 57/8 | 1/2 | D3-A | D3-B | | | C4-B | C4-B | |
| 49 | 1/8 | GRN | 43/8 | 1/2 | D3-A | D3-B | | | C4-B | C4-B | |
| 50 | 1/8 | GRN | 43/8 | 1/2 | D3-A | D3-B | | | C4-B | C4-B | |
| 51 | 1/8 | GRN | 43/8 | 1/2 | D3-A | D3-B | | | C4-B | C4-B | |
| 52 | 1/8 | BLU | 57/8 | 1/2 | D3-A | D3-B | | | C4-B | C4-B | |
| 53 | 1/8 | GRN | 57/8 | 1/2 | D3-A | D3-B | | | C4-B | C4-B | |
| 54 | 1/8 | GRN | 57/8 | 1/2 | D3-A | D3-B | | | C4-B | C4-B | |
| 55 | 1/8 | GRN | 57/8 | 1/2 | D3-A | D3-B | | | C4-B | C4-B | |

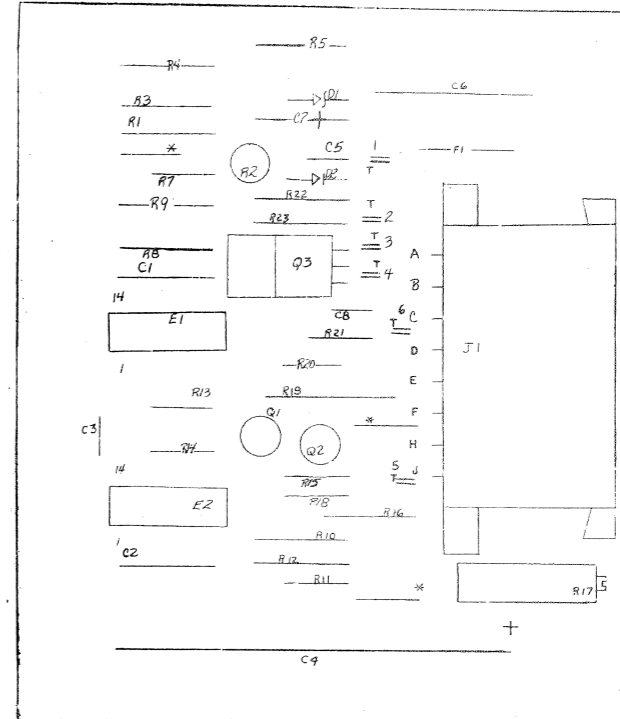
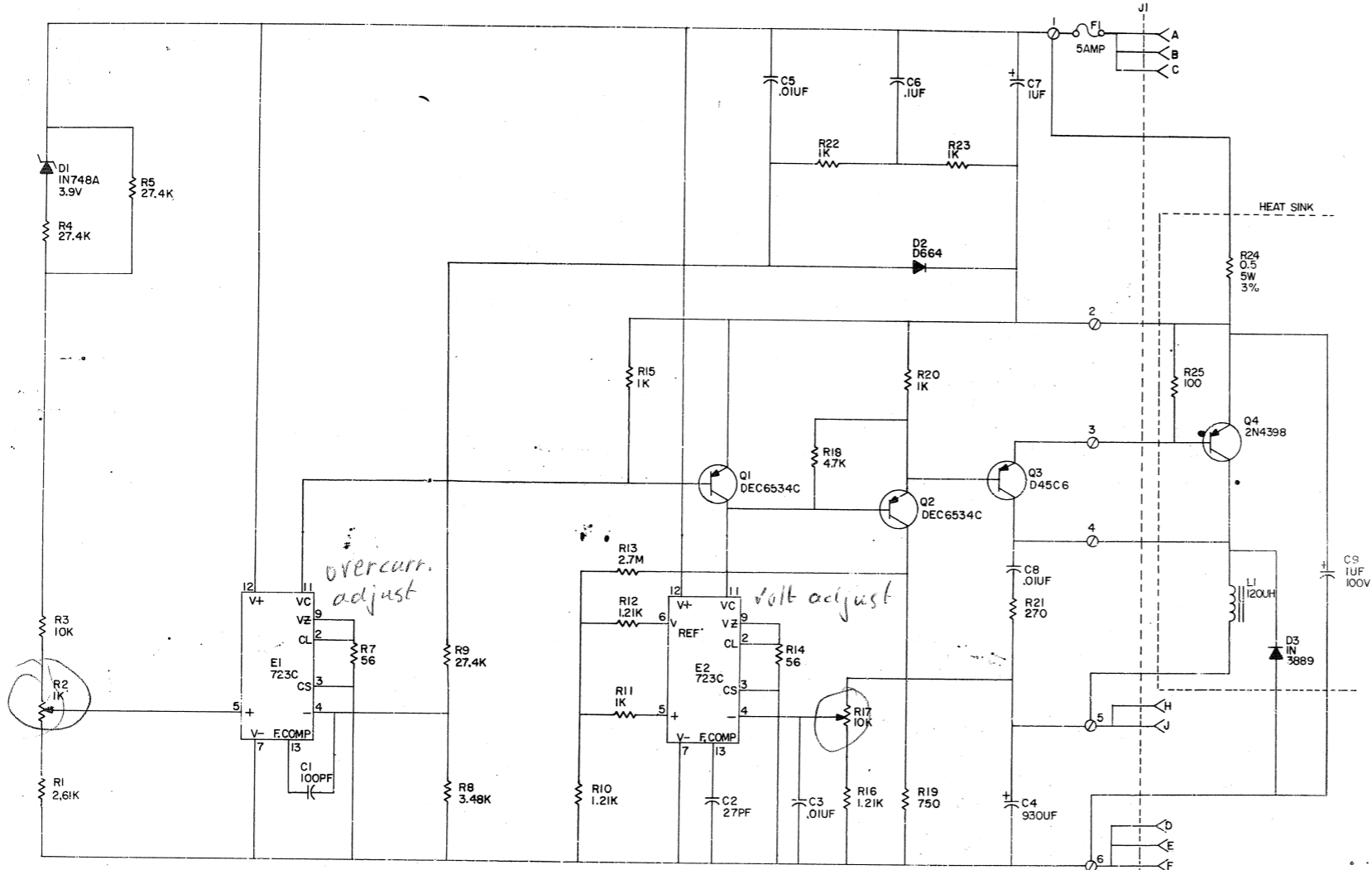


- NOTES**
1. R17 IS USED FOR OUTPUT VOLTAGE ADJUSTMENT. R2 IS USED FOR OUTPUT POWER ADJUSTMENT.
 2. CUT LEADS OF RES. (R25) SO THERE IS 3/8" OF A LEAD LEFT AT BOTH ENDS.
 3. CUT LEADS OF CAP. (C9) SO THERE IS 1/2" OF A LEAD LEFT AT BOTH ENDS.
 4. THERMAL COMPOUND (ITEM #39) IS TO BE APPLIED TO BOTH SIDES OF ALL THERMAL INSULATORS (ITEM #51) BOTH SIDES OF EACH INSULATOR SHOULD BE COMPLETELY COVERED, LEAVING NO VOIDS WHEN INSTALLED. CARE MUST BE EXERCISED SO THAT NO EXTRA COMPOUND INTERFERES WITH ANY ELECTRICAL CONNECTION MADE TO ANY DEVICE.



| QTY. | | DESCRIPTION | | PARTS LIST | | REV. |
|----------------------------|-----------|-------------|--------|-------------|-------------------------------|------|
| | | | | | | |
| UNLESS OTHERWISE SPECIFIED | | | | | | |
| DIMENSIONS IN INCHES | | | | | | |
| TOLERANCES | | | | | | |
| DECIMALS | FRACTIONS | ANGLES | PLACES | DATE | TITLE | |
| ±.001 | ± 1/16 | ± 15° | 3 | 7/27 | DIGITAL EQUIPMENT CORPORATION | |
| MATERIAL | | | | | | |
| FINISH | | | | | | |
| SCALE 1:1 | | | | | | |
| SHEET 1 OF 1 | | | | | | |
| | | DATE | | NUMBER | | REV. |
| | | 7/27 | | 5109484-0-0 | | E |
| 8 TO 20V REGULATOR | | | | | | |

THIS SCHEMATIC IS FURNISHED ONLY FOR TEST AND MAINTENANCE PURPOSES. THE CIRCUITS ARE PROPRIETARY IN NATURE AND SHOULD BE TREATED ACCORDINGLY. COPYRIGHT 1971 BY DIGITAL EQUIPMENT CORPORATION.



| QTY. | REF. DESIGNATION | DESCRIPTION | DEC PART NO. |
|------|------------------|-----------------------------------|------------------|
| 1 | R6 | FOR FUTURE USE | |
| 1 | J1 | CONNECTOR PINS | 1209456 |
| 1 | F1 | AMP 5 PIN CONNECTOR (MATE & LOCK) | 1209340-09 |
| 2 | | FUSE 5 AMP | 1209070 |
| 6 | | EYELET | 9006745 |
| 2 | | SPLIT LUGS | 9006735 |
| 2 | | WASHER, NYLON | 9006707 |
| 2 | R1, 2 | DIP REGULATOR 723C | 1302415 |
| 1 | Q3 | TRANSISTOR D45C6 | 1302414 |
| 1 | Q1, 2 | TRANSISTOR DEC 6534C | 1303409-02 |
| 1 | R3 | RES. 2.7M 5% 1/8W | 1309880 |
| 1 | R4 | RES. 2.7M 5% 1/8W | 1309880 |
| 3 | R4, 9, 5 | RES. 27.4K 1/8W 1% MF | 1309411 |
| 1 | R2 | RES. VARIABLE 1K 1/8W | 1309150-33 |
| 1 | R17 | RES. VARIABLE 10K 3/4W | 1309141-10 |
| 1 | R8 | RES. 3.48K 1/8W 1% MF | 1305113 |
| 1 | R9 | RES. 2.7M 5% 1/8W | 1305113 |
| 1 | R3 | RES. 10K 1/8W 1% MF | 1303312 |
| 2 | R22, 23 | RES. 1K 1/8W 1% MF | 1303414 |
| 1 | R1 | RES. 2.61K 1/8W 1% MF | 1303303 |
| 3 | R10, 17, 16 | RES. 1.21K 1/8W 1% MF | 1302871 |
| 2 | R7, 14 | RES. 56 1/8W 5% | 1302602 |
| 1 | R19 | RES. 750 1W 5% | 1302385 |
| 1 | R21 | RES. 270 1/8W 5% | 1301972 |
| 1 | R18 | RES. 4.7K 1/8W 5% | 1300447 |
| 3 | R11, 15, 20 | RES. 1K 1/8W 5% | 1300365 |
| 1 | D1 | DIODE ZENER 1N748A 3.9V | 1100122 |
| 1 | D2 | DIODE D664 | 1100114 |
| 1 | C4 | CAP. 930UF 30V -10% 75% | 1010809 |
| 1 | C6 | CAP. .1UF 100V 10% NYLAR | 1012342 |
| 1 | C7 | CAP. 1UF 35V 10% S. TANT | 1001776 |
| 1 | C2 | CAP. 27PF 100V 5% 10% | 1001739 |
| 3 | C3, 5 | CAP. .01UF 100V 20% D | 1001610 |
| 1 | C1 | CAP. 100PF 100V 5% 10% | 1000016 |
| 1 | | ETCHED CIRCUIT BOARD | 5009483 |
| 1 | | MODULE ECO HISTORY | B-MH-5409484-D-6 |
| 1 | | ASBY/DRILLING HOLE LAYOUT | B-MH-5409484-D-5 |
| 1 | | X-Y COORDINATE HOLE LOCAT | B-MH-5409484-D-4 |
| 1 | | DESCRIPTION | DEC PART NO. |
| 1 | | PARTS LIST | |

| AR | DESCRIPTION | QTY. | DEC PART NO. |
|----|---------------------------|------|------------------|
| 1 | 8 TO 20V REGULATOR | 1 | E-IA-5409484-0-0 |
| 1 | 20 CONDUCTOR CABLE | 1 | 91-07575 |
| 1 | #10/32 HEX NUT | 56 | 9006584 |
| 2 | 2/56 X 3/16" SCREW | 56 | 9006000-4 |
| 2 | 6/32 X 1/4" PAN HD SCREW | 54 | 9006024 |
| 1 | 10/32 X 1" TRUSS HD SCREW | 53 | 9006077-3 |
| 1 | #10 INTERNAL LOCK WASHER | 52 | 9006635 |
| 1 | BUSHING (DIODE) | 51 | 9006441 |
| 1 | SOLDER LUG | 50 | 9006150 |
| 4 | #6 SELP TAPING SCREW | 49 | 9006201 |
| 1 | THERMAL INSULATOR | 48 | 9008119 |

| QTY. | DESCRIPTION | DEC PART NO. |
|------|-----------------------|--------------|
| 2 | THERMAL INSULATOR | 9008119 |
| 1 | STAND OFF (STUD TYPE) | 9009060 |
| 1 | TRANSISTOR SOCKET | 1210130 |
| 1 | CAP. 1UF 100V | 1005507 |
| 1 | RES. 0.5 3% 5W | 1310508 |
| 1 | RES. 100 5% 1/8W | 1300329 |
| 1 | TRANSISTOR 2N4398 | 1300870 |
| 1 | 120UH CHoke | 1610573 |
| 1 | DIODE 1N3889 | 1100421 |
| 1 | HEAT SINK | 5309241 |
| 1 | DESCRIPTION | DEC PART NO. |
| 1 | PARTS LIST | |

TRANSISTOR & DIODE CONVERSION CHART

| | | | |
|-----------|---------|---------|--------|
| DEC | DEC | DEC | DEC |
| DEC 6534C | MPS6533 | DEC 664 | IN3804 |
| IN748A | SAME | IN748A | SAME |

8 TO 20 V REGULATOR

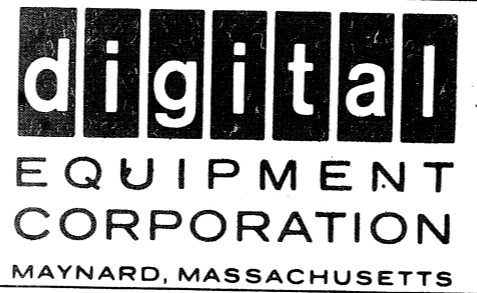
EQUIPMENT CORPORATION

DATE: 6/20/71

REV: E

| | |
|---------------|---------|
| DRWG NO | REV LTR |
| K-WL-RK05-0-3 | B |

| REVISIONS | | | |
|-----------|------------|------|-----|
| REV LTR | ECO NO | DATE | ENG |
| A | RK05-00014 | 7/72 | Ed |
| B | RK05-00031 | 2/73 | Ed |

| | | | | | |
|-------------------------------|-------------------|---|------------------------------|--------------|----------|
| DRAWN <i>RE Hellen</i> | DATE 11/8/71 |  | TITLE WIRE LIST (RK05) | | |
| CHECKED <i>J. Perry</i> | DATE 11-9-71 | | FOR TAPE # FILE * | | |
| ENG <i>Daly Jensen</i> | DATE 24 Nov 71 | | SIZE | CODE | DWG. NO. |
| PROJ ENG <i>EL Simmons</i> | DATE 11-24-71 | | K | WL | RK05-0-3 |
| PROD <i>Alan Karlberg</i> | DATE 11/29/71 | ASSY NO D-AD-7008696-0-0 | | REV LTR B | |
| SCALE NONE | | SHEET 1 OF 1 | | DIST. | |

| RP288.V22(22) 11/06/73 | 11-FEB-74 | 23:14 | PAGE 2 |
|------------------------------|--------------------|------------|------------|
| WRP288.V22(22) 11/06/73 | LENGTH | EXCEPTIONS | RUN NUMBER |
| A/P PIN NAME ORDER HAY ORDER | Q DRAW RV PG Y X Z | REMARKS | |
| BUS I-DETX PUL | L A02K1 1-01 | D05=3 | 1 |
| BUS I-DETX PUL | L B08M1 1-02 | D05=3 | 2 |
| BUS I-DETX PUL | L B07M1 1-03 | D05=3 | |
| BUS I-DETX PUL | L | | 1 |
| BUS R/W/S READY | L A02M1 1-01 | D05=4 | 1 |
| BUS R/W/S READY | L A07H2 1-02 | D05=4 | 2 |
| BUS R/W/S READY | L A08H2 1-03 | D05=4 | |
| BUS R/W/S READY | L | | 1 |
| BUS SECTOR ADDR | L A02H1 1-01 | D05=3 | 1 |
| BUS SECTOR ADDR | L B08L1 1-02 | D05=3 | 2 |
| BUS SECTOR ADDR | L B07L1 1-03 | D05=3 | |
| BUS SECTOR ADDR | L | | 1 |
| BUS SECTOR ADDR 1 | L A02J1 1-01 | D05=4 | 1 |
| BUS SECTOR ADDR 1 | L A07P2 1-02 | D05=4 | 2 |
| BUS SECTOR ADDR 1 | L A08P2 1-03 | D05=4 | |
| BUS SECTOR ADDR 1 | L | | 1 |
| BUS SECTOR ADDR 2 | L A02L1 1-01 | D05=4 | 1 |
| BUS SECTOR ADDR 2 | L B07K2 1-02 | D05=4 | 2 |
| BUS SECTOR ADDR 2 | L B08K2 1-03 | D05=4 | |
| BUS SECTOR ADDR 2 | L | | 1 |
| BUS SECTOR ADDR 3 | L A02P1 1-01 | D05=4 | 1 |
| BUS SECTOR ADDR 3 | L B07J1 1-02 | D05=4 | 2 |
| BUS SECTOR ADDR 3 | L B08J1 1-03 | D05=4 | |
| BUS SECTOR ADDR 3 | L | | 1 |
| BUS SECTOR PULSE | L A02F1 1-01 | D05=3 | 1 |
| BUS SECTOR PULSE | L B08N2 1-02 | D05=3 | 2 |
| BUS SECTOR PULSE | L B07N2 1-03 | D05=3 | |
| BUS SECTOR PULSE | L | | 1 |
| BUS SEEK INCOMPLETE | L A02N1 1-01 | D05=4 | 1 |
| BUS SEEK INCOMPLETE | L A07S2 1-02 | D05=4 | 2 |
| BUS SEEK INCOMPLETE | L A08S2 1-03 | D05=4 | |
| BUS SEEK INCOMPLETE | L | | 1 |
| BUS WR PROTECT STATUS | H B04U1 1-01 | D05=8 | 1 |
| BUS WR PROTECT STATUS | H B07P1 1-02 | D05=8 | 2 |
| BUS WR PROTECT STATUS | H B08P1 1-03 | D05=8 | |
| BUS WR PROTECT STATUS | H | | 1 |

| RP288.V22(22) 11/06/73 | 11-FEB-74 | 23:14 | PAGE 3 |
|------------------------------|--------------------|------------|------------|
| WRP288.V22(22) 11/06/73 | LENGTH | EXCEPTIONS | RUN NUMBER |
| A/P PIN NAME ORDER HAY ORDER | Q DRAW RV PG Y X Z | REMARKS | |
| BUS WHITE CK | H B04P1 1-01 | D05=8 | 1 |
| BUS WHITE CK | H B07K1 1-02 | D05=8 | 2 |
| BUS WHITE CK | H B08K1 1-03 | D05=8 | |
| BUS WHITE CK | H | | 1 |
| COS POSITION | H A05U1 1-01 | D05=9 | 1 |
| COS POSITION | H B06B1 1-02 | D05=9 | |
| COS POSITION | H | | 1 |
| COUNT PULSE FWD | H A05A1 1-01 | D05=5 | 1 |
| COUNT PULSE FWD | H B03K1 1-02 | D05=5 | |
| COUNT PULSE FWD | H | | 1 |
| COUNT PULSE REV | H A05C1 1-01 | D05=5 | 1 |
| COUNT PULSE REV | H B03F1 1-02 | D05=5 | |
| COUNT PULSE REV | H | | 1 |
| CYC ADDR 0 | L A07K1 1-01 | D05=5 | 2 |
| CYC ADDR 0 | L A08K1 1-02 | D05=5 | 1 |
| CYC ADDR 0 | L B03D1 1-03 | D05=5 | |
| CYC ADDR 0 | L | | 1 |
| CYC ADDR 1 | L A07D1 1-01 | D05=6 | 2 |
| CYC ADDR 1 | L A08D1 1-02 | D05=6 | 1 |
| CYC ADDR 1 | L B03M1 1-03 | D05=6 | |
| CYC ADDR 1 | L | | 1 |
| CYC ADDR 2 | L A08L1 1-01 | D05=6 | 2 |
| CYC ADDR 2 | L A07L1 1-02 | D05=6 | 1 |
| CYC ADDR 2 | L B03P1 1-03 | D05=6 | |
| CYC ADDR 2 | L | | 1 |
| CYC ADDR 3 | L A07C1 1-01 | D05=6 | 2 |
| CYC ADDR 3 | L A08C1 1-02 | D05=6 | 1 |
| CYC ADDR 3 | L B03M1 1-03 | D05=6 | |
| CYC ADDR 3 | L | | 1 |
| CYC ADDR 4 | L A07F1 1-01 | D05=6 | 2 |
| CYC ADDR 4 | L A08F1 1-02 | D05=6 | 1 |
| CYC ADDR 4 | L B03R1 1-03 | D05=6 | |
| CYC ADDR 4 | L | | 1 |
| CYC ADDR 5 | L A07J1 1-01 | D05=6 | 2 |
| CYC ADDR 5 | L A08J1 1-02 | D05=6 | 1 |
| CYC ADDR 5 | L B03U1 1-03 | D05=6 | |
| CYC ADDR 5 | L | | 1 |

| RP288,V22(22) 11/06/73 | 11-FEB-74 | 23:14 | PAGE 4 |
|--------------------------------|--------------------|---------|-------------------|
| RP288,V22(22) 11/06/73 | 11-FEB-74 | 23:14 | PAGE 4 |
| A/P PIN NAME ORDER | Q DRAW RV PG Y X Z | REMARKS | LENGTH EXCEPTIONS |
| RP288,V22(22) 11/06/73 | 11-FEB-74 | 23:14 | PAGE 4 |
| A/P PIN NAME ORDER | Q DRAW RV PG Y X Z | REMARKS | LENGTH EXCEPTIONS |
| RK05L _h RUN NAME | | | |
| CYC ADDR 6 | L A08E1 1-01 | D05-6 | 2 |
| CYC ADDR 6 | L A07E1 1-02 | D05-6 | 1 |
| CYC ADDR 6 | L R03V1 1-03 | D05-6 | |
| CYC ADDR 6 | L R03V1 1 | | 12-6/8 |
| CYC ADDR 7 | L A07H1 1-01 | D05-6 | 2 |
| CYC ADDR 7 | L A08H1 1-02 | D05-6 | 1 |
| CYC ADDR 7 | L B03S1 1-03 | D05-6 | |
| CYC ADDR 7 | L B03S1 1 | | 11-3/8 |
| DC LOW | H A04D1 1-01 | D05-8 | 1 |
| DC LOW | H B08F2 1-02 | D05-8 | 2 |
| DC LOW | H B07F2 1-03 | D05-8 | |
| DC LOW | H B07F2 1 | | 11-1/8 |
| DIFF 1 | L A03A1 1-01 | D05-7 | 1 |
| DIFF 1 | L R05N2 1-02 | D05-7 | |
| DIFF 1 | L R05N2 1 | | 8-4/8 |
| DIFF 1b | L A03E1 1-01 | D05-7 | 1 |
| DIFF 1b | L B05T2 1-02 | D05-7 | |
| DIFF 1b | L B05T2 1 | | 8-4/8 |
| DIFF 2 | L A03B1 1-01 | D05-7 | 1 |
| DIFF 2 | L B05P2 1-02 | D05-7 | |
| DIFF 2 | L B05P2 1 | | 8-2/8 |
| DIFF 4 | L A03D1 1-01 | D05-7 | 1 |
| DIFF 4 | L R05R2 1-02 | D05-7 | |
| DIFF 4 | L R05R2 1 | | 8-2/8 |
| DIFF 8 | L A03C1 1-01 | D05-7 | 1 |
| DIFF 8 | L B05S2 1-02 | D05-7 | |
| DIFF 8 | L B05S2 1 | | 8-4/8 |
| DISK RELAY DR | H A04M1 1-01 | D05-8 | 1 |
| DISK RELAY DR | H B06P1 1-02 | D05-8 | |
| DISK RELAY DR | H B06P1 1 | | 6-6/8 |
| DR UNLOCKING SOLENOID | L A06P1 1-01 | D05-8 | 1 |
| DR UNLOCKING SOLENOID | L B04V1 1-02 | D05-8 | |
| DR UNLOCKING SOLENOID | L B04V1 1 | | 7-2/8 |
| FAULT IND | H A04N2 1-01 | D05-8 | 1 |
| FAULT IND | H A06H1 1-02 | D05-8 | |
| FAULT IND | H A06H1 1 | | 4-0/8 |

| RP288,V22(22) 11/06/73 | 11-FEB-74 | 23:14 | PAGE 5 |
|--------------------------------|--------------------|---------|-------------------|
| RP288,V22(22) 11/06/73 | 11-FEB-74 | 23:14 | PAGE 5 |
| A/P PIN NAME ORDER | Q DRAW RV PG Y X Z | REMARKS | LENGTH EXCEPTIONS |
| RP288,V22(22) 11/06/73 | 11-FEB-74 | 23:14 | PAGE 5 |
| A/P PIN NAME ORDER | Q DRAW RV PG Y X Z | REMARKS | LENGTH EXCEPTIONS |
| RK05L _h RUN NAME | | | |
| FWD | H B03J1 1-01 | D05-5 | 1 |
| FWD | H B05J2 1-02 | D05-5 | |
| FWD | H B05J2 1 | | 4-2/8 |
| GND 01 | A01C2 1-01 | | 1 |
| GND 01 | A01T1 1-02 | | 2 |
| GND 01 | B01C2 1-03 | | 1 |
| GND 01 | R01T1 1-04 | | 1 |
| GND 01 | R01T1 1 | | 13-6/8 |
| GND 02 | A02C2 1-01 | | 1 |
| GND 02 | A02T1 1-02 | | 2 |
| GND 02 | R02C2 1-03 | | 1 |
| GND 02 | H02T1 1-04 | | 1 |
| GND 02 | H02T1 1 | | 13-6/8 |
| GND 03 | A03C2 1-01 | | 1 |
| GND 03 | A03T1 1-02 | | 2 |
| GND 03 | R03C2 1-03 | | 1 |
| GND 03 | R03T1 1-04 | | 1 |
| GND 03 | R03T1 1 | | 13-6/8 |
| GND 04 | A04C2 1-01 | | 1 |
| GND 04 | A04T1 1-02 | | 2 |
| GND 04 | B04C2 1-03 | | 1 |
| GND 04 | R04T1 1-04 | | 1 |
| GND 04 | R04T1 1 | | 13-6/8 |
| GND 05 | A05C2 1-01 | | 1 |
| GND 05 | A05T1 1-02 | | 2 |
| GND 05 | R05C2 1-03 | | 1 |
| GND 05 | R05T1 1-04 | | 1 |
| GND 05 | R05T1 1 | | 13-6/8 |
| GND 06 | A06C2 1-01 | | 1 |
| GND 06 | A06T1 1-02 | | 2 |
| GND 06 | R06C2 1-03 | | 1 |
| GND 06 | R06C1 1-04 | D05-9 | 1 |
| GND 06 | R06E1 1-05 | D05-9 | 1 |
| GND 06 | R06J1 1-06 | D05-9 | 2 |
| GND 06 | H06T1 1-07 | D05-9 | 1 |
| GND 06 | R06S1 1-08 | D05-9 | 1 |
| GND 06 | R06S1 1 | | 23-6/8 |

| WK05Ld.b | WRP288.V22(22) | 11/06/73 | 11-FEB-74 | 23:14 | PAGE 6 | | | |
|--------------|----------------|-----------|-----------|--------------------|---------|--------|------------|------------|
| RUN NAME | A/P PIN NAME | ORDER PIN | BAY ORDER | Q DRAW RV PG Y X Z | REMARKS | LENGTH | EXCEPTIONS | RUN NUMBER |
| GND 07 | A07B2 | 1-01 | | | | | | 48 |
| GND 07 | A07C2 | 1-02 | | | | | | 48 |
| GND 07 | A07M1 | 1-03 | | | | | | 48 |
| GND 07 | A07P1 | 1-04 | | | | | | 48 |
| GND 07 | A07R1 | 1-05 | | | | | | 48 |
| GND 07 | A07S1 | 1-06 | | | | | | 48 |
| GND 07 | A07T1 | 1-07 | | | | | | 48 |
| GND 07 | A07V1 | 1-08 | | | | | | 48 |
| GND 07 | B07B2 | 1-09 | | | | | | 48 |
| GND 07 | R07C2 | 1-10 | | | | | | 48 |
| GND 07 | R07D1 | 1-11 | | | | | | 48 |
| GND 07 | R07E1 | 1-12 | | | | | | 48 |
| GND 07 | R07T1 | 1-13 | | | | | | 48 |
| GND 07 | R07V2 | 1-14 | | | | | | 48 |
| GND 08 | A08B2 | 1-01 | | | | | | 49 |
| GND 08 | A08C2 | 1-02 | | | | | | 49 |
| GND 08 | A08M1 | 1-03 | | | | | | 49 |
| GND 08 | A08P1 | 1-04 | | | | | | 49 |
| GND 08 | A08R1 | 1-05 | | | | | | 49 |
| GND 08 | A08S1 | 1-06 | | | | | | 49 |
| GND 08 | A08T1 | 1-07 | | | | | | 49 |
| GND 08 | A08V1 | 1-08 | | | | | | 49 |
| GND 08 | B08B2 | 1-09 | | | | | | 49 |
| GND 08 | R08C2 | 1-10 | | | | | | 49 |
| GND 08 | R08D1 | 1-11 | | | | | | 49 |
| GND 08 | R08E1 | 1-12 | | | | | | 49 |
| GND 08 | R08T1 | 1-13 | | | | | | 49 |
| GND 08 | R08V2 | 1-14 | | | | | | 49 |
| GOOD STROBE | L R02E1 | 1-01 | | | D05=5 | 37=2/8 | | 50 |
| GOOD STROBE | L R03D1 | 1-02 | | | D05=5 | | | 50 |
| HEAD SELECT | L A01P1 | 1-01 | | | D05=1 | 3=6/8 | | 51 |
| HEAD SELECT | L R07M2 | 1-02 | | | D05=1 | | | 51 |
| HEAD SELECT | L R08M2 | 1-03 | | | D05=1 | | | 51 |
| HIGH DENSITY | L A01R2 | 1-01 | | | D05=4 | 11=3/8 | | 51 |
| HIGH DENSITY | L R07P2 | 1-02 | | | D05=4 | | | 52 |
| HIGH DENSITY | L R08P2 | 1-03 | | | D05=4 | | | 52 |
| HIGH DENSITY | | | | | | 10=3/8 | | 52 |

| WK05Ld.b | WRP288.V22(22) | 11/06/73 | 11-FEB-74 | 23:14 | PAGE 7 | | | |
|--------------|----------------|-----------|-----------|--------------------|---------|--------|------------|------------|
| RUN NAME | A/P PIN NAME | ORDER PIN | BAY ORDER | Q DRAW RV PG Y X Z | REMARKS | LENGTH | EXCEPTIONS | RUN NUMBER |
| HOME | L A04R1 | 1-01 | | | D05=7 | 9=6/8 | | 53 |
| HOME | L R03B1 | 1-02 | | | D05=7 | | | 53 |
| HOME | L R06F1 | 1-03 | | | D05=7 | | | 53 |
| INDEX PULSE | L A02R2 | 1-01 | | | D05=3 | | | 54 |
| INDEX PULSE | L A04J1 | 1-02 | | | D05=3 | 4=1/8 | | 54 |
| INDEX/SECTOR | L R02D1 | 1-01 | | | D05=5 | | | 55 |
| INDEX/SECTOR | L R04H2 | 1-02 | | | D05=5 | | | 55 |
| INNER LIMIT | H A05B1 | 1-01 | | | D05=2 | | | 56 |
| INNER LIMIT | H A03U1 | 1-02 | | | D05=2 | | | 56 |
| INNER LIMIT | H R02J1 | 1-03 | | | D05=2 | | | 56 |
| INTERLOCK | L A04H1 | 1-01 | | | D05=7 | 11=0/8 | | 57 |
| INTERLOCK | L A06R1 | 1-02 | | | D05=7 | | | 57 |
| LIMIT | H A05K1 | 1-01 | | | D05=9 | 4=3/8 | | 58 |
| LIMIT | H R06H1 | 1-02 | | | D05=9 | | | 58 |
| LOAD HEADS | L R03C1 | 1-01 | | | D05=6 | 6=0/8 | | 59 |
| LOAD HEADS | L R04C1 | 1-02 | | | D05=6 | | | 59 |
| LOAD IND | H A04J1 | 1-01 | | | D05=8 | 3=4/8 | | 60 |
| LOAD IND | H A06A1 | 1-02 | | | D05=8 | | | 60 |
| LOAD INU | L A06K1 | 1-01 | | | D05=7 | 4=3/8 | | 61 |
| LOAD SW | L R04D1 | 1-02 | | | D05=7 | | | 61 |
| MOVE | L A03L1 | 1-01 | | | D05=2 | 6=0/8 | | 62 |
| MOVE | L R02P1 | 1-02 | | | D05=2 | | | 62 |
| NO PROTECT | L A01N2 | 1-01 | | | D05=1 | 6=6/8 | | 63 |
| NO PROTECT | L R04H1 | 1-02 | | | D05=1 | | | 63 |
| NO PROTECT | | | | | | 6=2/8 | | 63 |

| RK05LH,P RUN NAME | WRP288,V22(22) 11/06/73 | 11-FEB-74 | 23114 | PAGE 8 | |
|----------------------|-------------------------|--------------------|---------|-------------------|------------|
| A/P PIN NAME | ORDER PIN | Q DRAW RV PG Y X Z | REMARKS | LENGTH EXCEPTIONS | RUN NUMBER |
| ON | L A02A1 | 1-01 | D05=5 | 1 | 64 |
| ON | L A03M1 | 1-02 | D05=5 | | 64 |
| ON | L A03M1 | 1 | | 4-6/8 | 64 |
| OUTER LIMIT | H A03K1 | 1-01 | D05=6 | 2 | 65 |
| OUTER LIMIT | H A04K1 | 1-02 | D05=6 | 1 | 65 |
| OUTER LIMIT | H A05D1 | 1-03 | D05=6 | | 65 |
| OUTER LIMIT | H A05D1 | 1 | | 7-4/8 | 65 |
| POWER AMP DR | H R05U2 | 1-01 | D05=9 | 1 | 66 |
| POWER AMP DR | H R06M1 | 1-02 | D05=9 | | 66 |
| POWER AMP DR | H R06M1 | 1 | | 4-0/8 | 66 |
| PROTECT IMD | H A06C1 | 1-01 | D05=8 | 1 | 67 |
| PROTECT IMD | H R04U2 | 1-02 | D05=8 | | 67 |
| PROTECT IMD | H R04U2 | 1 | | 8-2/8 | 67 |
| PWR SEC XNSDUR | H A02D1 | 1-01 | D05=2 | 1 | 68 |
| PWR SEC XNSDUR | H R06K1 | 1-02 | D05=2 | | 68 |
| PWR SEC XNSDUR | H R06K1 | 1 | | 8-2/8 | 68 |
| R/W/S READY | H A03P1 | 1-01 | D05=5 | 1 | 69 |
| R/W/S READY | H R04J1 | 1-02 | D05=5 | 2 | 69 |
| R/W/S READY | H R02L1 | 1-03 | D05=5 | | 69 |
| R/W/S READY | H R02L1 | 1 | | 10-0/8 | 69 |
| R/W/S READY | L A01P2 | 1-01 | D05=1 | 1 | 70 |
| R/W/S READY | L R02K1 | 1-02 | D05=1 | | 70 |
| R/W/S READY | L R02K1 | 1 | | 5-4/8 | 70 |
| READ CLOCK | L A01F2 | 1-01 | D05=2 | 1 | 71 |
| READ CLOCK | L R07S1 | 1-02 | D05=2 | 2 | 71 |
| READ CLOCK | L R08S1 | 1-03 | D05=2 | | 71 |
| READ CLOCK | L R08S1 | 1 | | 11-4/8 | 71 |
| READ DATA | L A01E2 | 1-01 | D05=2 | 1 | 72 |
| READ DATA | L R07S2 | 1-02 | D05=2 | 2 | 72 |
| READ DATA | L R08S2 | 1-03 | D05=2 | | 72 |
| READ DATA | L R08S2 | 1 | | 11-7/8 | 72 |
| READ GATE | L A01K2 | 1-01 | D05=1 | 1 | 73 |
| READ GATE | L R08R1 | 1-02 | D05=1 | 2 | 73 |
| READ GATE | L R07R1 | 1-03 | D05=1 | | 73 |
| READ GATE | L R07R1 | 1 | | 11-3/8 | 73 |

| RK05LH,P RUN NAME | WRP288,V22(22) 11/06/73 | 11-FEB-74 | 23114 | PAGE 9 | |
|----------------------|-------------------------|--------------------|---------|-------------------|------------|
| A/P PIN NAME | ORDER PIN | Q DRAW RV PG Y X Z | REMARKS | LENGTH EXCEPTIONS | RUN NUMBER |
| READ IMD | H A02E2 | 1-01 | D05=9 | 1 | 74 |
| READ IMD | H A06J1 | 1-02 | D05=9 | | 74 |
| READ IMD | H A06J1 | 1 | | 5-2/8 | 74 |
| READY | H A02C1 | 1-01 | D05=3 | 1 | 75 |
| READY | H A04U1 | 1-02 | D05=3 | | 75 |
| READY | H A04U1 | 1 | | 5-6/8 | 75 |
| READY IMD | H A06B1 | 1-01 | D05=8 | 1 | 76 |
| READY IMD | H R04N1 | 1-02 | D05=8 | | 76 |
| READY IMD | H R04N1 | 1 | | 8-0/8 | 76 |
| RESTORE | H A02H1 | 1-01 | D05=4 | 1 | 77 |
| RESTORE | H A03J1 | 1-02 | D05=4 | | 77 |
| RESTORE | H A03J1 | 1 | | 3-7/8 | 77 |
| RESTORE | L A08M1 | 1-01 | D05=2 | 2 | 78 |
| RESTORE | L A07M1 | 1-02 | D05=2 | 1 | 78 |
| RESTORE | L R02R1 | 1-03 | D05=2 | | 78 |
| RESTORE | L R02R1 | 1 | | 10-2/8 | 78 |
| REV | H R03H1 | 1-01 | D05=5 | 1 | 79 |
| REV | H R05K2 | 1-02 | D05=5 | | 79 |
| REV | H R05K2 | 1 | | 4-4/8 | 79 |
| RK=110 | L A08U1 | 1-01 | D05=9 | 2 | 80 |
| RK=110 | L A07U1 | 1-02 | D05=9 | 1 | 80 |
| RK=110 | L R02U1 | 1-03 | D05=9 | | 80 |
| RK=110 | L R02U1 | 1 | | 10-2/8 | 80 |
| RTZ | L A03F1 | 1-01 | D05=2 | 1 | 81 |
| RTZ | L R02C1 | 1-02 | D05=2 | | 81 |
| RTZ | L R02C1 | 1 | | 6-0/8 | 81 |
| RUN SW | L A06L1 | 1-01 | D05=7 | 1 | 82 |
| RUN SW | L R04L1 | 1-02 | D05=7 | | 82 |
| RUN SW | L R04L1 | 1 | | 6-6/8 | 82 |
| SECTOR | L A02S2 | 1-01 | D05=9 | 1 | 83 |
| SECTOR | L R04K1 | 1-02 | D05=9 | | 83 |
| SECTOR | L R04K1 | 1 | | 5-6/8 | 83 |
| SECTOR/INDEX RAW | H A02E1 | 1-01 | D05=2 | 1 | 84 |
| SECTOR/INDEX RAW | H R06L1 | 1-02 | D05=2 | | 84 |
| SECTOR/INDEX RAW | H R06L1 | 1 | | 8-4/8 | 84 |

| RP05L0.8 RUN NAME | WRP288.V22(22) 11/06/73 | ORDER PIN | BAY ORDER | Q | DRAW RV PG Y | X | Z | REMARKS | 11-FEB-74 LENGTH | 23:14 EXCEPTIONS | PAGE 10 RUN NUMBER |
|-----------------------|-------------------------|-----------|-----------|---|--------------|---|---|---------|---------------------|---------------------|-----------------------|
| SEEK DONE IND | H | A02V1 | 1-01 | | D05=5 | | 1 | | | | 85 |
| SEEK DONE IND | H | A06F1 | 1-02 | | D05=5 | | | | | | 85 |
| SEEK DONE IND | | | 1 | | | | | | 5=7/8 | | 85 |
| SEL/WRITE PROTECT SET | L | R02R1 | 1-01 | | D05=5 | | 1 | | | | 86 |
| SEL/WRITE PROTECT SET | L | R04R1 | 1-02 | | D05=5 | | | | | | 86 |
| SEL/WRITE PROTECT SET | | | 1 | | | | | | 5=2/8 | | 86 |
| SELECT | H | A01S2 | 1-01 | | D05=2 | | 2 | | | | 87 |
| SELECT | H | A04S1 | 1-02 | | D05=2 | | 1 | | | | 87 |
| SELECT | H | R07V2 | 1-03 | | D05=2 | | | | 11=0/8 | | 87 |
| SELECT | | | 1 | | | | | | | | 87 |
| SELECT 1 | L | A08J2 | 1-01 | | D05=3 | | 2 | | | | 88 |
| SELECT 1 | L | A07J2 | 1-02 | | D05=3 | | 1 | | | | 88 |
| SELECT 1 | L | R02R2 | 1-03 | | D05=3 | | | | 11=1/8 | | 88 |
| SELECT 1 | | | 1 | | | | | | | | 88 |
| SELECT 2 | L | A08K2 | 1-01 | | D05=3 | | 2 | | | | 89 |
| SELECT 2 | L | A07K2 | 1-02 | | D05=3 | | 1 | | | | 89 |
| SELECT 2 | L | R02S2 | 1-03 | | D05=3 | | | | 11=1/8 | | 89 |
| SELECT 2 | | | 1 | | | | | | | | 89 |
| SELECT 3 | L | A08L2 | 1-01 | | D05=3 | | 2 | | | | 90 |
| SELECT 3 | L | A07L2 | 1-02 | | D05=3 | | 1 | | | | 90 |
| SELECT 3 | L | R02T2 | 1-03 | | D05=3 | | | | 11=1/8 | | 90 |
| SELECT 3 | | | 1 | | | | | | | | 90 |
| SELECT 4 | L | A08M2 | 1-01 | | D05=3 | | 2 | | | | 91 |
| SELECT 4 | L | A07M2 | 1-02 | | D05=3 | | 1 | | | | 91 |
| SELECT 4 | L | R02U2 | 1-03 | | D05=3 | | | | 11=1/8 | | 91 |
| SELECT 4 | | | 1 | | | | | | | | 91 |
| SELECT/READY | L | A01H2 | 1-01 | | D05=1 | | 1 | | | | 92 |
| SELECT/READY | L | A04V1 | 1-02 | | D05=1 | | 2 | | | | 92 |
| SELECT/READY | L | R02H1 | 1-03 | | D05=1 | | | | 9=6/8 | | 92 |
| SELECT/READY | | | 1 | | | | | | | | 92 |
| SELECTED READ GATE | H | A01H1 | 1-01 | | D05=9 | | 1 | | | | 93 |
| SELECTED READ GATE | H | A02F2 | 1-02 | | D05=9 | | | | | | 93 |
| SELECTED READ GATE | | | 1 | | | | | | 3=7/8 | | 93 |
| SELECTED READ GATE | | | | | | | | | | | 93 |
| SELECTED WRITE GATE | H | A01V1 | 1-01 | | D05=1 | | 1 | | | | 94 |
| SELECTED WRITE GATE | H | A02V2 | 1-02 | | D05=1 | | | | 3=6/8 | | 94 |
| SELECTED WRITE GATE | | | 1 | | | | | | | | 94 |

| RP05L0.8 RUN NAME | WRP288.V22(22) 11/06/73 | ORDER PIN | BAY ORDER | Q | DRAW RV PG Y | X | Z | REMARKS | 11-FEB-74 LENGTH | 23:14 EXCEPTIONS | PAGE 11 RUN NUMBER |
|----------------------|-------------------------|-----------|-----------|---|--------------|---|---|---------|---------------------|---------------------|-----------------------|
| SET UNSAFE | L | A01U2 | 1-01 | | D05=1 | | 1 | | | | 95 |
| SET UNSAFE | L | R04A1 | 1-02 | | D05=1 | | | | | | 95 |
| SET UNSAFE | | | 1 | | | | | | 4=7/8 | | 95 |
| SIN POSITION | H | A05M1 | 1-01 | | D05=9 | | 1 | | | | 96 |
| SIN POSITION | H | R06D1 | 1-02 | | D05=9 | | | | | | 96 |
| SIN POSITION | | | 1 | | | | | | 5=2/8 | | 96 |
| STROBE | L | R02V1 | 1-01 | | D05=2 | | 1 | | | | 97 |
| STROBE | L | R07H1 | 1-02 | | D05=2 | | 2 | | | | 97 |
| STROBE | L | R08H1 | 1-03 | | D05=2 | | | | | | 97 |
| STROBE | | | 1 | | | | | | 10=2/8 | | 97 |
| UNSAFE | L | A01L2 | 1-01 | | D05=1 | | 1 | | | | 98 |
| UNSAFE | L | A04V2 | 1-02 | | D05=1 | | | | | | 98 |
| UNSAFE | | | 1 | | | | | | 5=2/8 | | 98 |
| WRITE DATA + CLK | H | A01J1 | 1-01 | | D05=1 | | 1 | | | | 99 |
| WRITE DATA + CLK | H | A07F2 | 1-02 | | D05=1 | | 2 | | | | 99 |
| WRITE DATA + CLK | H | A08F2 | 1-03 | | D05=1 | | | | | | 99 |
| WRITE DATA + CLK | | | 1 | | | | | | 10=0/8 | | 99 |
| WRITE GATE | L | A01J2 | 1-01 | | D05=1 | | 1 | | | | 100 |
| WRITE GATE | L | R07L2 | 1-02 | | D05=1 | | 2 | | | | 100 |
| WRITE GATE | L | R08L2 | 1-03 | | D05=1 | | | | | | 100 |
| WRITE GATE | | | 1 | | | | | | 10=7/8 | | 100 |
| WRITE PROTECT SET | L | R02S1 | 1-01 | | D05=3 | | 1 | | | | 101 |
| WRITE PROTECT SET | L | R07R2 | 1-02 | | D05=3 | | 2 | | | | 101 |
| WRITE PROTECT SET | L | R08R2 | 1-03 | | D05=3 | | | | | | 101 |
| WRITE PROTECT SET | | | 1 | | | | | | 9=4/8 | | 101 |
| WRITE SW OFF | L | A06M1 | 1-01 | | D05=7 | | 1 | | | | 102 |
| WRITE SW OFF | L | R04F1 | 1-02 | | D05=7 | | | | | | 102 |
| WRITE SW OFF | | | 1 | | | | | | 6=0/8 | | 102 |
| WRITE SW ON | L | A06M1 | 1-01 | | D05=7 | | 1 | | | | 103 |
| WRITE SW ON | L | R04E1 | 1-02 | | D05=7 | | | | | | 103 |
| WRITE SW ON | | | 1 | | | | | | 6=0/8 | | 103 |
| WRITING IND | H | A02U1 | 1-01 | | D05=5 | | 1 | | | | 104 |
| WRITING IND | H | A06E1 | 1-02 | | D05=5 | | | | | | 104 |
| WRITING IND | | | 1 | | | | | | 5=7/8 | | 104 |