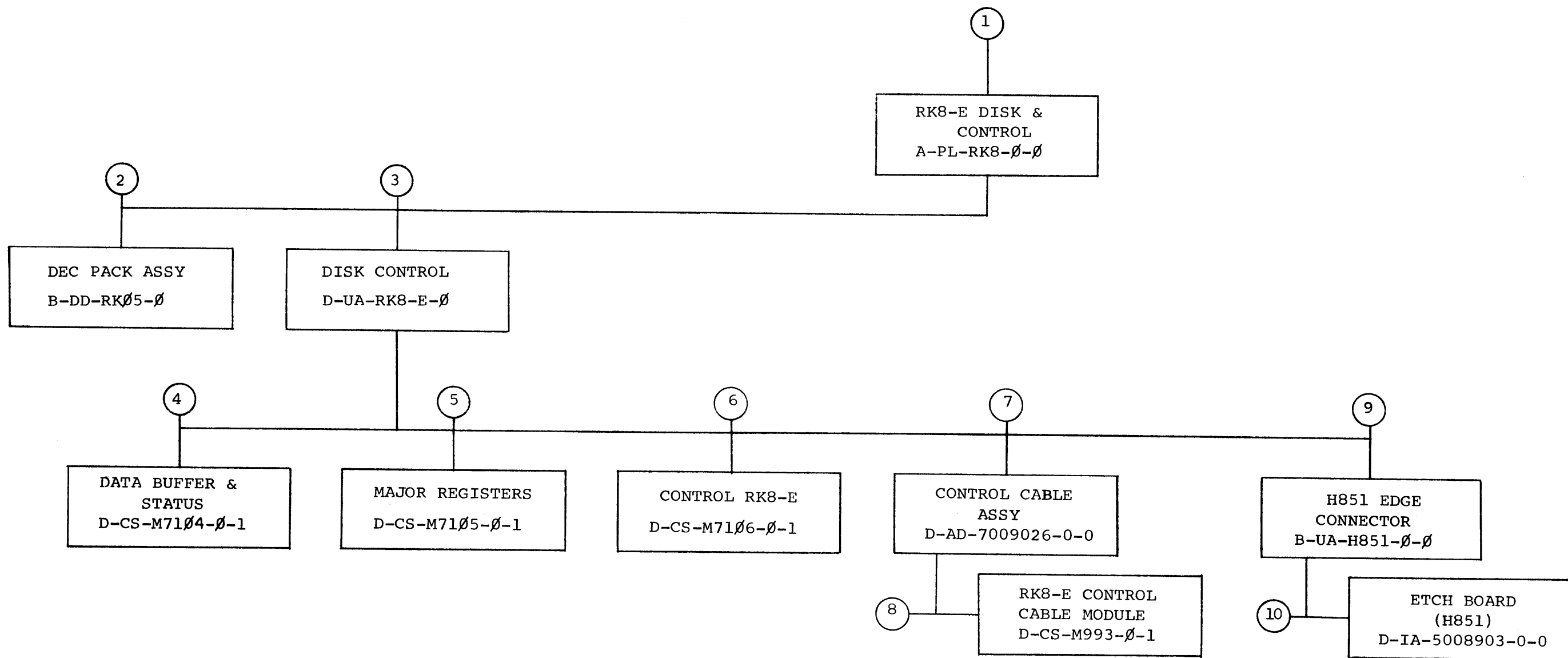


**RK8-E disk
cartridge control
engineering drawings**



TITLE	SHEET	SIZE	CODE	NUMBER	REV
RK8-E DISK & CONTROL	2 OF 3	B	DD	RK8-Ø	

CUSTOMER PRINT SET		MECHANICAL/ELECTRICAL					CUSTOMER PRINT SET		MECHANICAL/ELECTRICAL						
	MFG. SET	FIND NO.	DRAWING NO.	REV	NO OF SHT	DESCRIPTION	OPTION NO./FILE DATE		MFG. SET	FIND NO.	DRAWING NO.	REV	NO OF SHT	DESCRIPTION	OPTION NO./FILE DATE
x		1	A-PL-RK8- \emptyset - \emptyset		1	RK8-E DISK & CONTROL		x		7	D-AD-7009026-0-0		2	CONTROL CABLE ASSY,	
x		2	B-DD-RK \emptyset 5- \emptyset	B	5	DEC PACK ASSY		x		8	D-CS-M993- \emptyset -1	*	2	RK8-E CONTROL CABLE MODULE	
											K-CO-M993- \emptyset -4		1	X-Y COORDINATE HOLE LOCATION	
											D-AH-M993- \emptyset -5		1	ASSY/DRILLING HOLE LAYOUT	
											B-MH-M993- \emptyset -6		1	MODULE ECO HISTORY	
x		3	D-UA-RK8-E- \emptyset		1	DISK CONTROL									
x			D-FD-RK8-E-1		4	FLOW DIAGRAM RK8-E									
x			D-TD-RK8-E-2		1	MAJOR STATES & TIMING FLOW									
x			A-AL-RK8-E-3		1	ACCESSORY SHIPPING LIST		x		9	B-UA-H851- \emptyset - \emptyset	A	1	H851 EDGE CONNECTOR	
			A-SP-RK8-E-4		3	MODULE TEST & ACCEPTANCE FOR RK8-E					A-PL-H851- \emptyset - \emptyset	A	1	H851 EDGE CONNECTOR	
			A-SP-RK8-E-5		39	RK8E DISK CONTROL					B-CS-H851- \emptyset -1	A		EDGE CONNECTOR H851	
x			A-SP-RK8-E-6		5	FIELD INSTALL & ACCEPT. PROC.					C-AH-H851- \emptyset -5	A	1	ASSY/DRILLING HOLE LAYOUT	
			A-SP-RK8-E-7		5	IN-HOUSE ACCEPT. PROC.					B-MH-H851- \emptyset -6		1	MODULE ECO HISTORY	
x		4	D-CS-M71 \emptyset 4- \emptyset -1	A	7	DATA BUFFER & STATUS				10	D-IA-5008903-0-0	A	1	ETCH BOARD (H851)	
			K-CO-M71 \emptyset 4- \emptyset -4		1	X-Y COORDINATE HOLE LOCATION					C-AH-5008903-0-5		1	ASSY/DRILLING HOLE LOCATION	
			D-AH-M71 \emptyset 4- \emptyset -5		1	ASSY/DRILLING HOLE LAYOUT									
			B-MH-M71 \emptyset 4- \emptyset -6		1	MODULE ECO HISTORY									
x		5	D-CS-M71 \emptyset 5- \emptyset -1	A	5	MAJOR REGISTERS									
			K-CO-M71 \emptyset 5- \emptyset -4		1	X-Y COORDINATE HOLE LOCATION									
			D-AH-M71 \emptyset 5- \emptyset -5		1	ASSY DRILLING HOLE LAYOUT									
			B-MH-M71 \emptyset 5- \emptyset -6		1	MODULE ECO HISTORY									
x		6	D-CS-M71 \emptyset 6- \emptyset -1	A	6	CONTROL RK8-E									
			K-CO-M71 \emptyset 6- \emptyset -4		1	X-Y COORDINATE HOLE LOCATION									
			D-AH-M71 \emptyset 6- \emptyset -5		1	ASSY/DRILLING HOLE LAYOUT									
			B-MH-M71 \emptyset 6- \emptyset -6		1	MODULE ECO HISTORY									

CUSTOMER PRINT SET CODES
X = PRINT OF DOCUMENT INCLUDED IN PRINT SET
C = INCLUDES ALL PRINTS INDICATED ON DOCUMENT
S = CONFIDENTIAL AUTHORIZED SIGNATURE REQUIRED

TITLE
RK8-E DISK & CONTROL

SHEET 3 OF 3

SIZE CODE
B DD

NUMBER
RK8- \emptyset

REV

DIGITAL EQUIPMENT CORPORATION
MAYNARD, MASSACHUSETTS

DATE 10-12-72

TITLE RK8E FIELD INSTALLATION AND ACCEPTANCE PROCEDURE

REVISIONS

REV	DESCRIPTION	CHG NO	ORIG	DATE	APPD BY	DATE

This drawing and specifications, herein, are the property of Digital Equipment Corporation and shall not be reproduced or copied or used in whole or in part as the basis for the manufacture or sale of items without written permission.

ENGINEERING SPECIFICATION



CONTINUATION SHEET

TITLE RK8E FIELD INSTALLATION AND ACCEPTANCE PROCEDURE

- 1.0 SHIPPING HARDWARE
 - 1.1 RK8E Control
 - 1.1.1 M7104
 - 1.1.2 M7105
 - 1.1.3 M7106
 - 1.2 RK05 Disk Drive (Maximum of 4 drives per control)
 - 1.2.1 95 to 130VAC @ 60 ± 0.5 Hz - RK05-AA
 - 1.2.2 190 to 260VAC @ 60 ± 0.5 Hz - RK05-AB
 - 1.2.3 95 to 130 VAC @ 50 ± 0.5 Hz - RK05-BA
 - 1.2.4 190 to 260 VAC @ 50 ± 0.5 Hz - RK05-BB
 - 1.3 Interface Cables and Terminator
 - 1.3.1 Interface cable between RK8E control and RK05 - 7009026
 - 1.3.2 Interface cable from one RK05 to another. BC11A
 - 1.3.3 Terminator Module (last RK05) M930
 - 1.4 (1) Disk Cartridge, HD16 Sector, 30-10350-02.
- 2.0 SHIPPING SOFTWARE
 - 2.1 RK8E Diskless Control Test
 - Maindec-08-DHRKA-A-PB
 - Maindec-08-DHRKA-A-D
 - 2.2 RK8E Drive Control Test
 - Maindec-08-DHRKB-A-PB
 - Maindec-08-DHRKB-A-D
 - 2.3 RK8E Formatter Program
 - Maindec-08-DHRKD-A-PB
 - Maindec-08-DHRKD-A-D
 - 2.4 RK8E Data Reliability Program
 - Maindec-08-DHRKC-A-PB
 - Maindec-08-DHRKC-A-D

ENG <i>[Signature]</i>	APPD <i>[Signature]</i>	SIZE A	CODE SP	NUMBER RK8-E-6	REV
------------------------	-------------------------	---------------	---------	----------------	-----

DEC FORM NO. DRA 107A

SHEET 1 OF 5

SIZE A	CODE SP	NUMBER RK8-E-6	REV
---------------	---------	----------------	-----

DEC FORM NO 16-1022
DRA 108

SHEET 2 OF 5

ENGINEERING SPECIFICATION

CONTINUATION SHEET

TITLE RK8E FIELD INSTALLATION AND ACCEPTANCE PROCEDURE

3.0 UNPACKING AND INSTALLATION

- 3.1 Unpack and inspect RK05 using the procedure in the RK05 Disk Drive Maintenance Manual, Chapter 2.
- 3.2 Using the Shipping Hardware and Software lists, verify that all items are present.
- 3.3 Insure power on the PDP-8E, 8M, 8F is turned off.
- 3.4 Check the M7104 to insure that the device code jumpers are in the correct configuration (normally 674X), refer to Table 1.

NOTE: The diagnostic programs normally recongnizes Program Device Code 674X. If it desired to operate with a different code, refer to the Diagnostic Document's Section headed "Change Program Device Codes".

TABLE 1

<u>Octal Code</u>	<u>Jumpers Installed</u>
674X	W2 W4 W6
675X	W2 W3 W4
676X	W1 W2 W6
677X	W1 W2 W3

- 3.5 Check M7105 module to insure that the priority jumpers are in the correct configuration, refer to Table 2.

SIZE **A** CODE SP NUMBER RK8-E-6 REV

ENGINEERING SPECIFICATION

CONTINUATION SHEET

TITLE RK8E FIELD INSTALLATION AND ACCEPTANCE PROCEDURE

3.0 UNPACKING AND INSTALLATION (continued)

TABLE 2

<u>Break Priority</u>	<u>Jumpers Installed</u>
∅	W1 W4
1*	W2 W3 W5

*Normally shipped with priority 1 jumpers installed.

- 3.6 Connect the 7009026 cable to the Berg connector on the M7106 module.
- 3.7 Insert the RK8E modules into the Omnibus (refer to UA-RK8-E-∅). Refer to Table 2-3 in Volume I of the PDP-8E Maintenance Manual for installation priorities.
- 3.8 Install H851 top connectors between the modules (refer to UA-RK8-E-∅).
- 3.9 Following the procedure in the RK05 Maintenance Manual, Chapter 2, install the RK05.

4.0 ACCEPTANCE

- 4.1 Requirements for Acceptance
 - A. ASR33 teletype, or equivalent.
 - B. Programmers console.
 - C. At least 4K of Read/Write Memory.
- 4.2 Run, in order, the programs listed in the "Shipping Software", using the loading and operating procedures in each program's document. If any errors occur, refer to the errors section of the document to evaluate the printout, and Chapter 5 of the RK8E Maintenance Manual for aids in determining the problem.

SIZE **A** CODE SP NUMBER RK8-E-6 REV



TITLE RK8E FIELD INSTALLATION AND ACCEPTANCE PROCEDURE

4.0 ACCEPTANCE (continued)

4.3 Each program should be run the following amount of passes.

- A. Diskless Control Test - Two Passes
- B. Drive Control Test - Two Passes
- C. Formatter Program - One Pass
- D. Data Reliability Program - One Pass

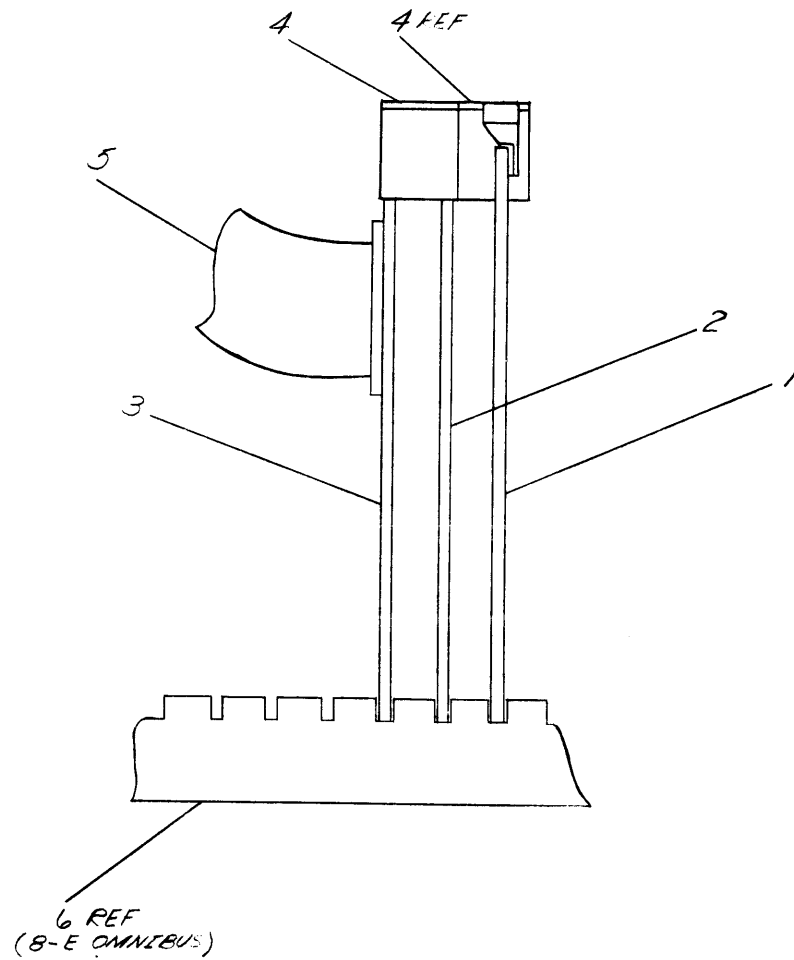
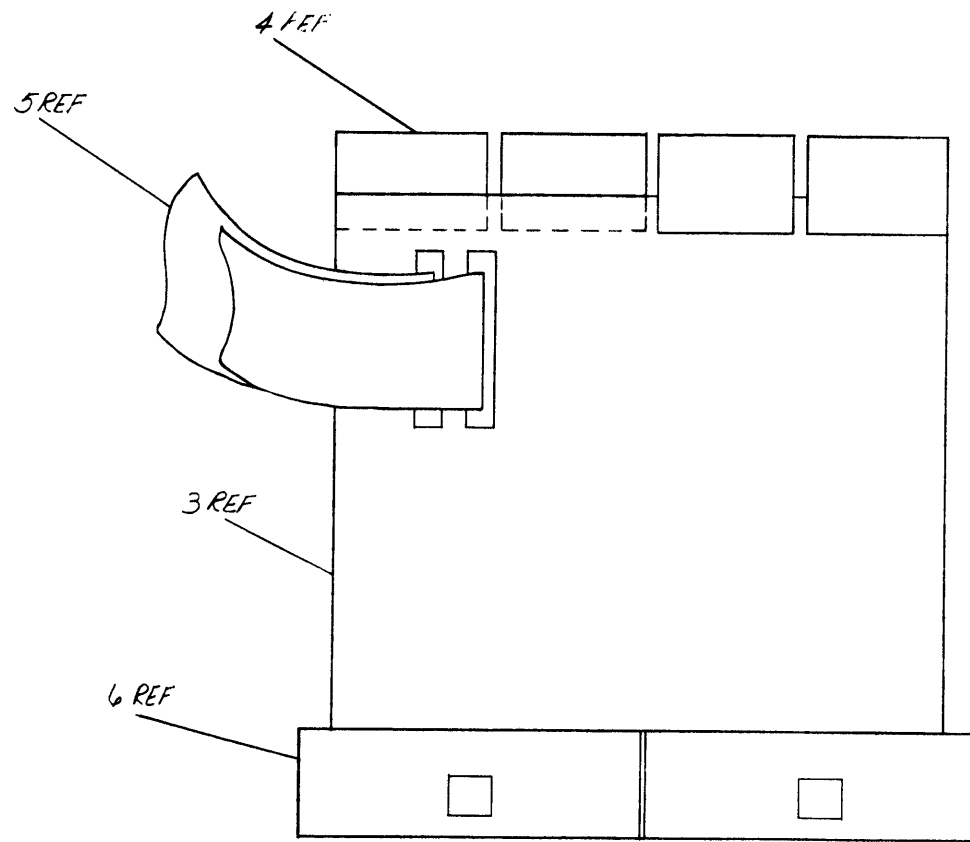
4.4 Acceptable Errors

- A. One read error during the Acceptance Procedure

SIZE	CODE	NUMBER	REV
A	SP	RK8-E-6	

This drawing and specifications, herein, are the property of Digital Equipment Corporation and shall not be reproduced or copied or used in whole or in part as the basis for the manufacture or sale of items without written permission.

REV. NUMBER 7000 2



QTY.	DESCRIPTION	PART NO.	ITEM NO.
1	M993 TO BERG	D-AD-700926-00	5
4	EDGE CONNECTOR	B-UN-4851-0-0	4
1	CONTROL, RK8-E	D-CS-M7106-01	3
1	MARK REGISTERS	D-CS-M7105-0-1	2
1	DATA BUFFER & STATUS	D-CS-M7104-01	1

FIRST USED ON OPTION/MODEL		PARTS LIST	
RK8-E		DRN.	DATE
UNLESS OTHERWISE SPECIFIED DIMENSION IN INCHES TOLERANCES		CHK'D.	DATE
DECIMALS	ANGLES	ENG.	DATE
.XXX - .005	= 0° 30'	PROJ. ENG.	DATE
.XX - .02		PROD.	DATE
.X - .1			
REMOVE BURRS AND BREAK SHARP CORNERS SURFACE QUALITY		NEXT HIGHER ASSY.	
MATERIAL			
FINISH			
		SCALE	
		SHEET	OF
		SIZE CODE	NUMBER
		DUA	RK8-E-2
		DIST.	

digital EQUIPMENT CORPORATION
MAYNARD MASSACHUSETTS

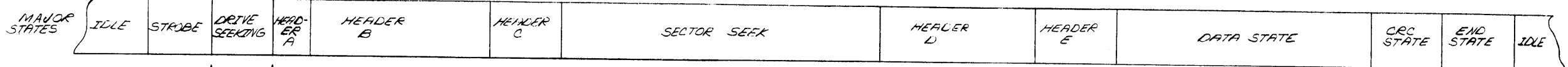
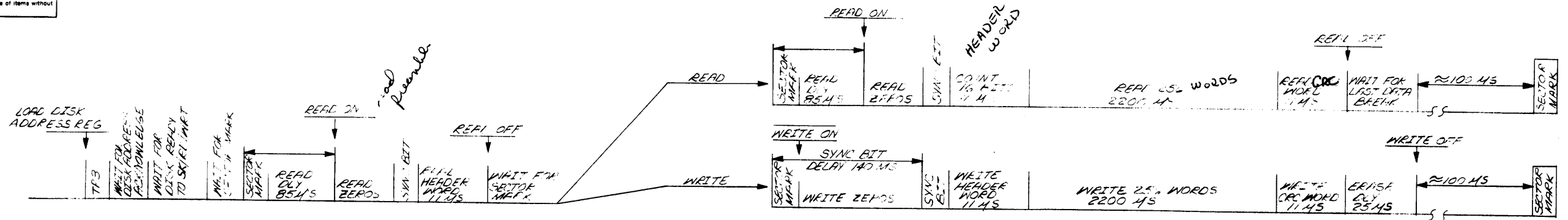
TITLE
DISK CONTROL

REV. NO. 2

BRUNING 40-107 15948
REVISIONS
CHANGE NO.
REV.

REV. NO. 2
NUMBER
DUA RK8-E-2

This drawing and specifications, herein, are the property of Digital Equipment Corporation and shall not be reproduced or copied or used in whole or in part as the basis for the manufacture or sale of items without written permission.



IF "SEEK ONLY" GO TO IDLE AND SET DONE FLAG.
IF NOT A HEADER CHECK, GO TO SECTOR SEEK STATE.

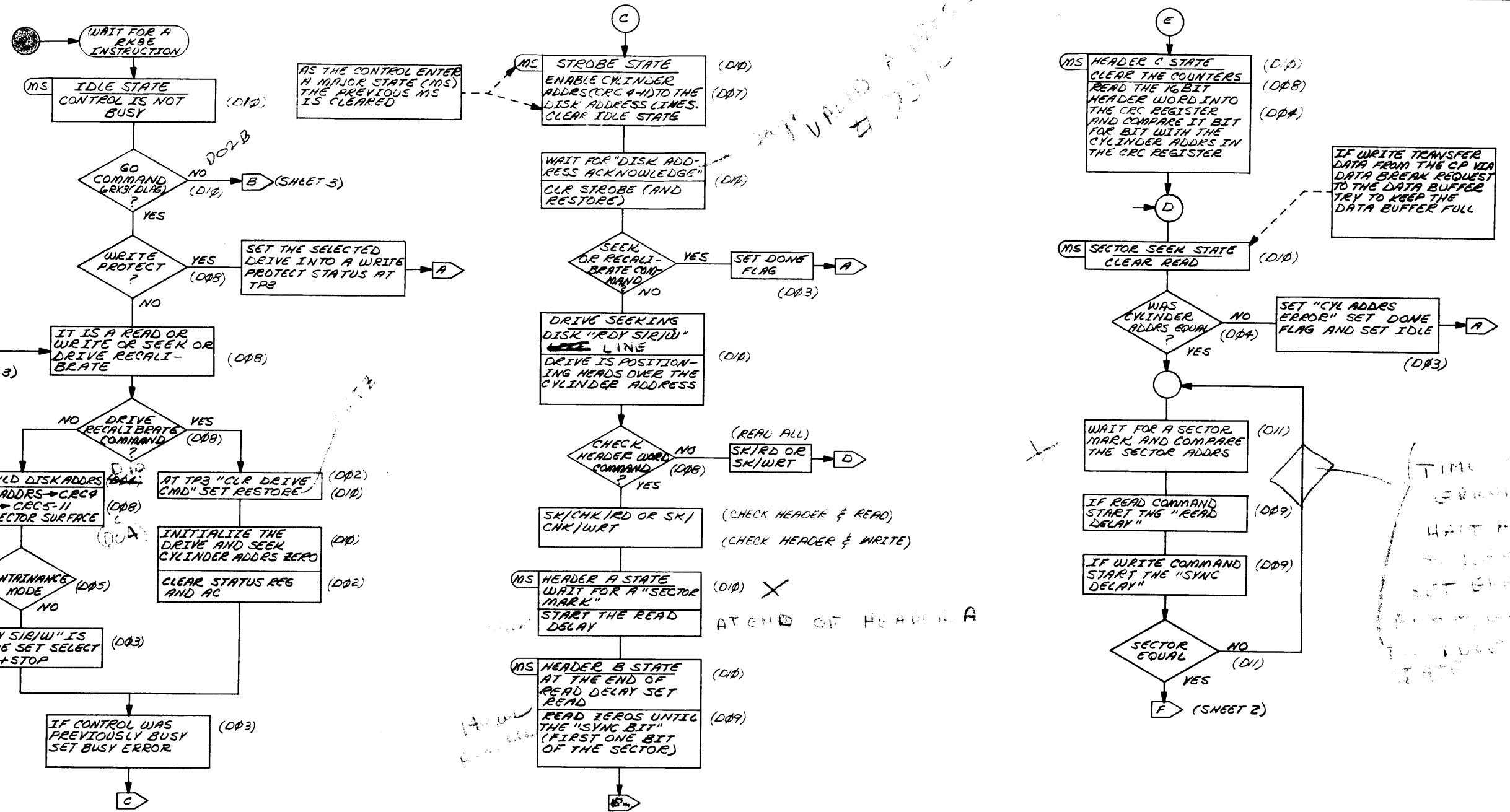
MAJOR STATE	FUNCTION	SEEK	SK/CHK/RD	SK/CHK/WRT	SK/CHK/RD ALL	SK/CHK/WRT ALL
IDLE	CONTROL IS NOT BUSY. WHEN THE GO COMMAND (DLAG) IS ISSUED THE C (AC) IS LOADED INTO THE CRC* AND SECTOR-SURFACE REGISTERS (DISK ADDRESS)	✓	✓	✓	✓	✓
STROBE	STROBE THE CYLINDER ADDRESS FROM THE C REGISTER TO THE DRIVE AND WAIT FOR THE DRIVE'S "ADDRESS ACKNOWLEDGE" SIGNAL.	✓	✓	✓	✓	✓
DRIVE SEEKING	WAIT FOR THE "DISK READY TO SEEK/READ/WRITE" LEVEL FROM THE DRIVE TO SIGNIFY THAT THE HEADS ARE POSITIONED OVER THE CYLINDER ADDRESS.		✓	✓	✓	✓
HEADER A	WAIT FOR THE FIRST SECTOR MARK, THEN START THE READ DELAY.		✓	✓		
HEADER B	AT THE END OF THE READ DELAY TURN THE READ FLOP ON. ZEROS WILL BE READ UNTIL THE SYNC BIT WHICH SIGNIFYS THE BEGINNING OF A SECTOR'S DATA.		✓	✓		
HEADER C	READ THE 16 BIT HEADER WORD AND COMPARE IT WITH THE CYLINDER ADDRESS IN THE CRC REGISTER.		✓	✓		
SECTOR SEEK	IF THE HEADER WORD DOES NOT EQUAL THE CYLINDER ADDRESS SET THE "CYLINDER ADDRESS ERROR" AND GO TO THE IDLE STATE. AT EACH SECTOR MARK COMPARE THE SECTOR ADDRESS WITH THE DISK SECTOR ADDRESS LINES, IF EQUAL GO TO THE NEXT STATE.		✓	✓	✓	✓
HEADER D	AT THE BEGINNING OF THE SECTOR START THE "READ DELAY". AT THE END OF THE "READ DELAY" SET "READ". ZEROS WILL BE READ UNTIL THE SYNC BIT.		✓	✓		
HEADER E	AT THE BEGINNING OF THE SECTOR START THE "SYNC BIT DELAY". ZEROS ARE WRITTEN FOR THE LENGTH OF THE DELAY. A "ONE" BIT (SYNC BIT) IS THEN WRITTEN.			✓		✓

MAJOR STATE	FUNCTION	SEEK	SK/CHK/RD	SK/CHK/WRT	SK/CHK/RD ALL	SK/CHK/WRT ALL
HEADER E	COUNT AND IGNORE THE FIRST 16 BITS. WRITE THE HEADER WORD SPECIFIED BY THE CRC REGISTER.		✓	✓		
DATA STATE	READ 25-12 BIT WORDS FROM THE DISK INTO THE DATA BUFFER AND COMPUTE THE CRC. TRANSFER 12 BIT WORD FROM DATA BUFFER TO THE PROCESSOR. THE CONTROL WILL TRY TO KEEP DATA BUFFER EMPTY VIA DATA BREAKS. WRITE ON THE DISK 25-12 BIT WORDS TRANSFERED FROM THE PROCESSOR TO THE DATA BUFFER. TRYING TO KEEP DATA BUFFER FULL VIA DATA BREAKS. COMPUTE CRC.		✓	✓		
CRC STATE	READ AND COMPARE THE CRC WORD WITH THE COMPUTED CRC. WRITE THE COMPUTED CRC ON THE DISK.		✓	✓		
END STATE	IF THE CRC FROM THE DISK DOES NOT EQUAL THE COMPUTED CRC, SET THE "CRC ERROR" CLEAR READ. WHEN THE DATA BUFFERS ARE EMPTIED INTO THE PROCESSOR SET THE DONE FLAG AND GO TO THE IDLE STATE. START THE ERASE DELAY AND WRITE ZEROS. AT THE END OF THE ERASE DELAY CLEAR WRITE, SET THE DONE FLAG AND GO TO THE IDLE STATE.		✓	✓		

BRUNING 40-522 15840	REV	
REVISIONS	CHANGE NO	
CHK		

FIRST USED ON OPTION/MODEL	QTY.	DESCRIPTION	PART NO.	ITEM NO.
RKE-E				
PARTS LIST				
UNLESS OTHERWISE SPECIFIED DIMENSION IN INCHES TOLERANCES	DRN	DATE	digital EQUIPMENT CORPORATION MAYNARD MASSACHUSETTS	
DECIMALS	CHK'D	DATE	TITLE	
ANGLES	ENG.	DATE	MAJOR STATES TIMING & FLOW	
XXX = .005 XX = .02 X = .1	PROJ. ENG.	DATE	SIZE CODE	
REMOVE BURRS AND BREAK SHARP CORNERS SURFACE QUALITY	PROD.	DATE	NUMBER	
MATERIAL	NEXT HIGHER ASSY.		REV.	
FINISH	E-11-RKE-0		D T D RKE-E-2	
	SCALE		SHEET	

This drawing and specifications, herein, are the property of Digital Equipment Corporation and shall not be reproduced or copied in whole or in part as the basis for the manufacture or sale of items without written permission.

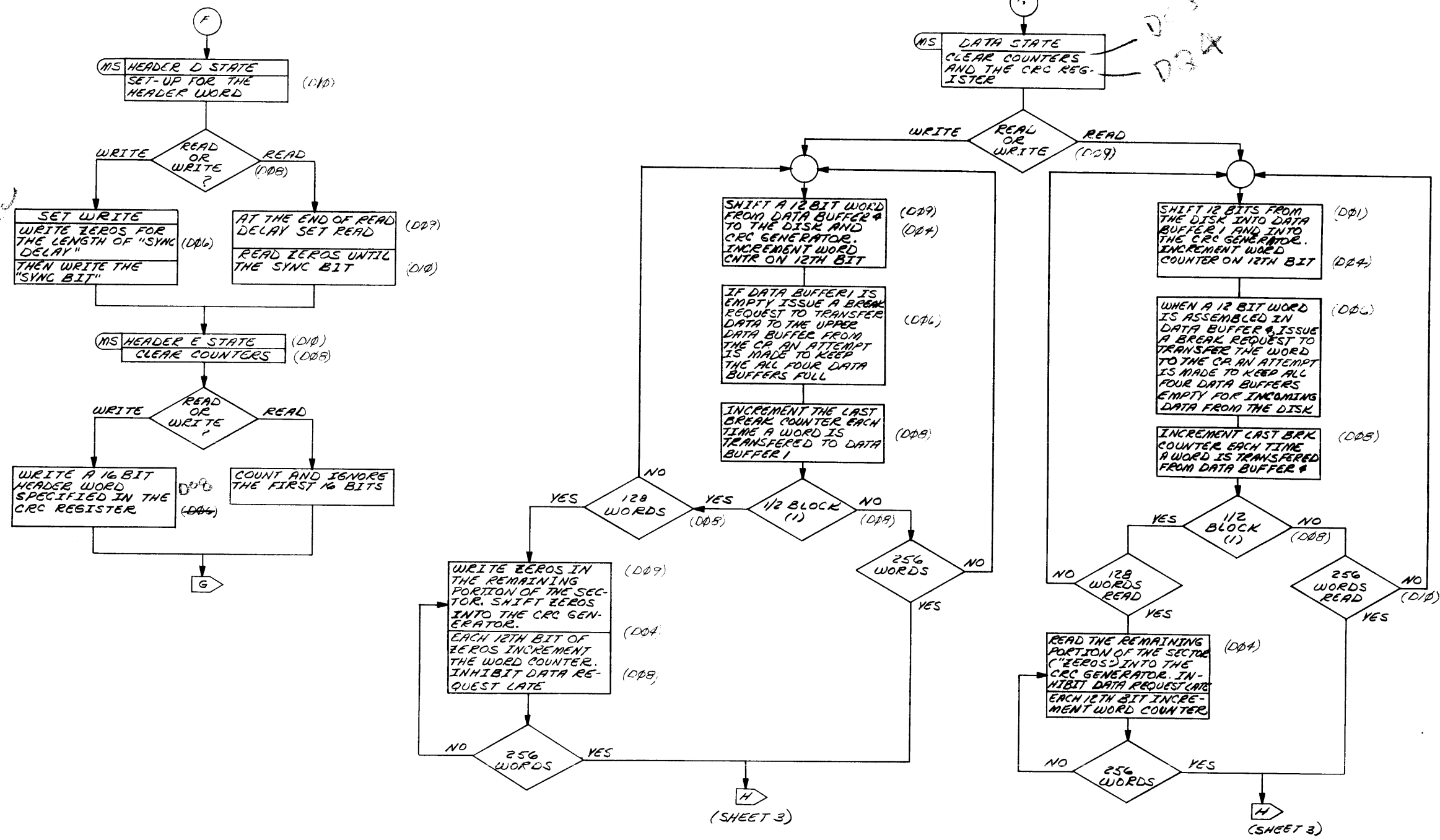


REV	DATE	DESCRIPTION
1/8	1/8/72	REVISED
2/1	2/1/72	REVISED

FIRST USED ON OPTION/MODEL	QTY.	DESCRIPTION	PART NO.	ITEM NO.
RK8-E		PARTS LIST		
UNLESS OTHERWISE SPECIFIED DIMENSION IN INCHES TOLERANCES	DRN <i>advent</i> DATE 7/29/72	digital EQUIPMENT CORPORATION MAYNARD, MASSACHUSETTS TITLE FLOW DIAGRAM (RK8-E)		
DECIMALS ANGLES	CHK'D DATE 8/2/72			
XXX ± .005 XX ± .02 X ± .1	ENG DATE 10/8/72			
REMOVE BURRS AND BREAK SHARP CORNERS SURFACE QUALITY	PROJ ENG DATE 10/10/72			
	PROD DATE 10/10/72			
MATERIAL	NEXT HIGHER ASSY	SIZE CODE	NUMBER	REV.
FINISH	FID-RK8-X	DIFD	RK8 E 1	
	SCALE	SHEET	1 OF 4	DIST

This drawing and specifications herein are the property of Digital Equipment Corporation and shall not be reproduced or copied or used in whole or in part as the basis for the manufacture or sale of items without written permission.

190
Kimmick



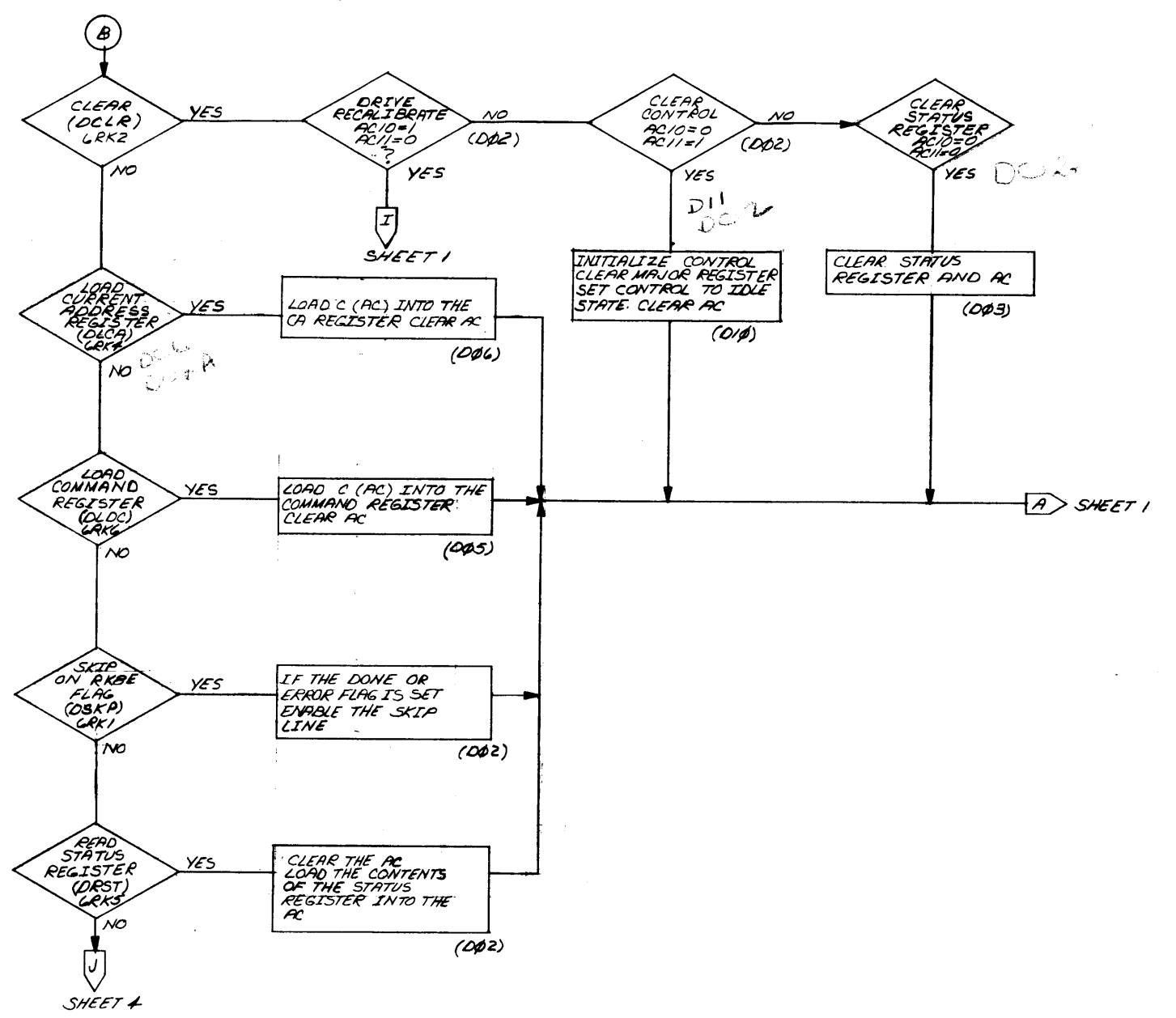
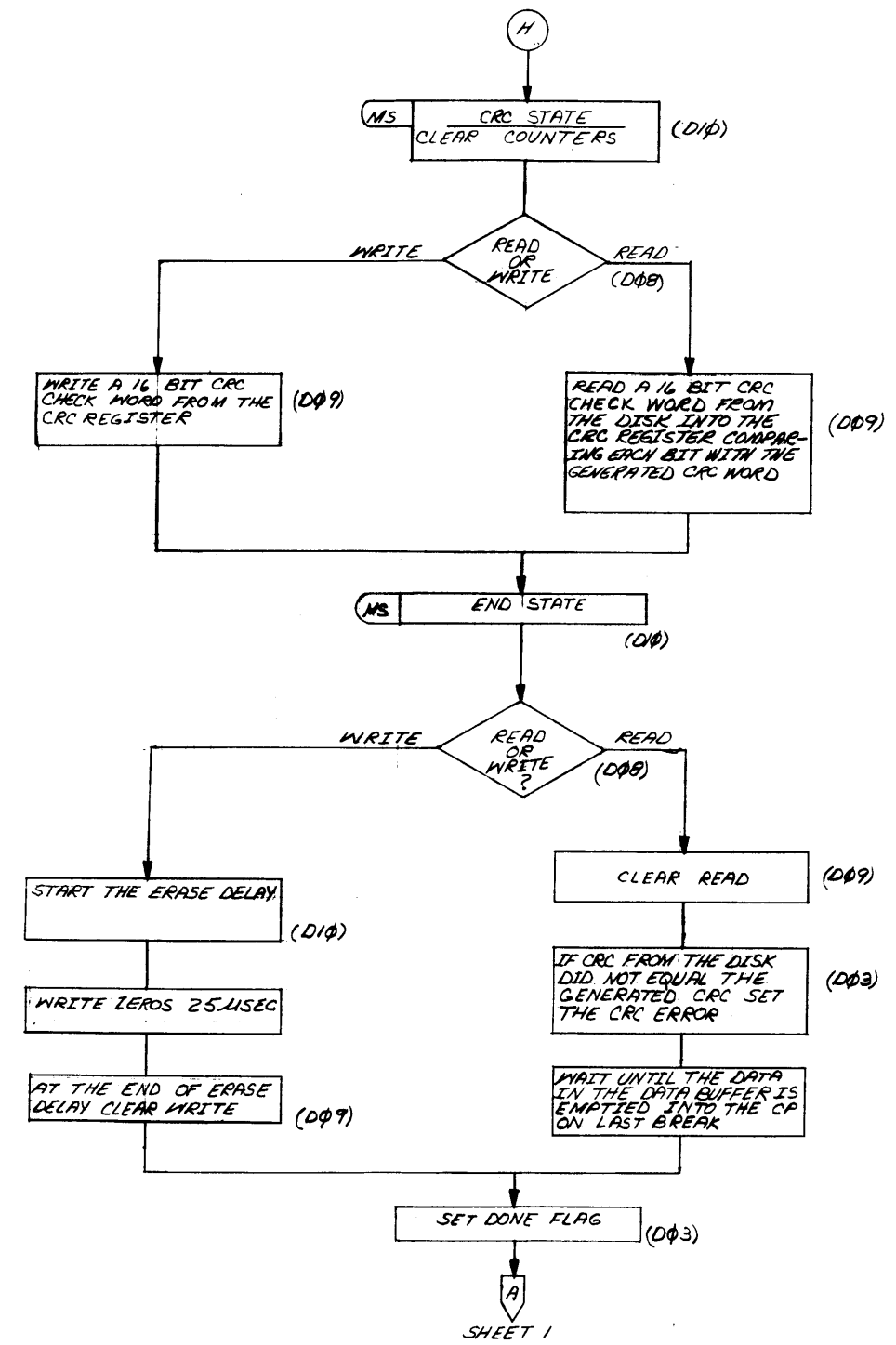
(SHEET 3)

(SHEET 3)

REV	4
CHANGE NO	
REFS	
BRN'G	40522 15840
DRD	102-B

FIRST USED ON OPTION/MODEL	QTY.	DESCRIPTION	PART NO.	ITEM NO.
11K-L				
PARTS LIST				
UNLESS OTHERWISE SPECIFIED DIMENSION IN INCHES TOLERANCES	DRN	DATE	digital EQUIPMENT CORPORATION MAYNARD MASSACHUSETTS	
DECIMALS	CHK'D	DATE	TITLE	
ANGLES	ENG	DATE	FLOW DIAGRAM (RK-E)	
XXX - 005	PROJ. ENG	DATE	MATERIAL	
XX - 02	PROD.	DATE	NEXT HIGHER ASSY.	
X - 1			FINISH	
REMOVE BURRS AND BREAK SHARP CORNERS SURFACE QUALITY			SIZE CODE	NUMBER
			D F D	RK-E-1
			SCALE	REV
			SHEET 2 OF 4	
			DIST.	

This drawing and specifications, herein, are the property of Digital Equipment Corporation and shall not be reproduced or copied or used in whole or in part as the basis for the manufacture or sale of items without written permission.

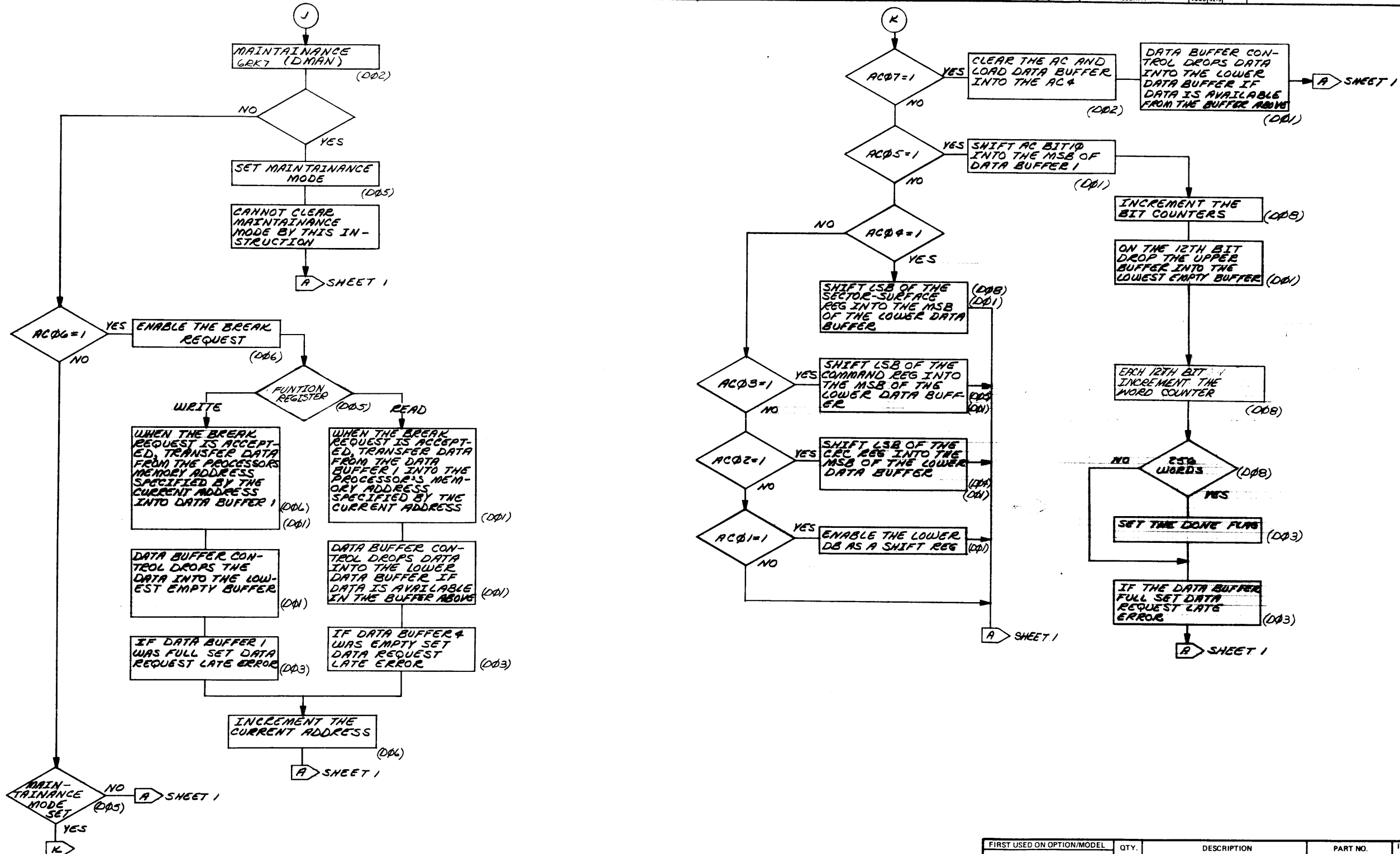


BRUNING 40-522 15840
 DEC FORM NO DRD 102-B

REV	1/01
CHG	02/12/72

FIRST USED ON OPTION/MODEL	QTY.	DESCRIPTION	PART NO.	ITEM NO.
RK8-E		PARTS LIST		
UNLESS OTHERWISE SPECIFIED DIMENSION IN INCHES TOLERANCES	DRN. M. Rowe	DATE 6/22/72	DIGITAL EQUIPMENT CORPORATION MAYNARD MASSACHUSETTS	
DECIMALS ANGLES	CHK'D. Ferguson	DATE 10-9-72	TITLE	
.xxx = .005 .xx = .02 .x = .1	ENG. [Signature]	DATE 10/17/72	FLOW DIAGRAM (RK8-E)	
REMOVE BURRS AND BREAK SHARP CORNERS SURFACE QUALITY	PROJ. ENG. [Signature]	DATE 11/12/72	MATERIAL	
	PROD. [Signature]	DATE 11/22/72	NEXT HIGHER ASSY.	
			B-DD-RK8-0	SIZE CODE
			SCALE 3 OF 4	NUMBER
			DIST.	REV.

This drawing and specifications, herein, are the property of Digital Equipment Corporation and shall not be reproduced or copied or used in whole or in part as the basis for the manufacture or sale of items without written permission.



BRUNING 40-522 15840
 DEC FORM NO
 DRD 102-B

REV
 CHANGE NO
 OR 30772
 PA1

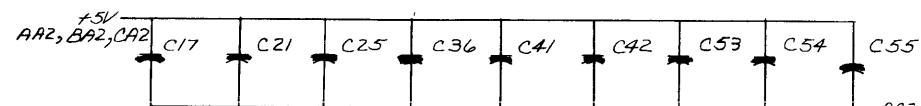
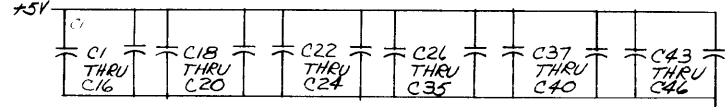
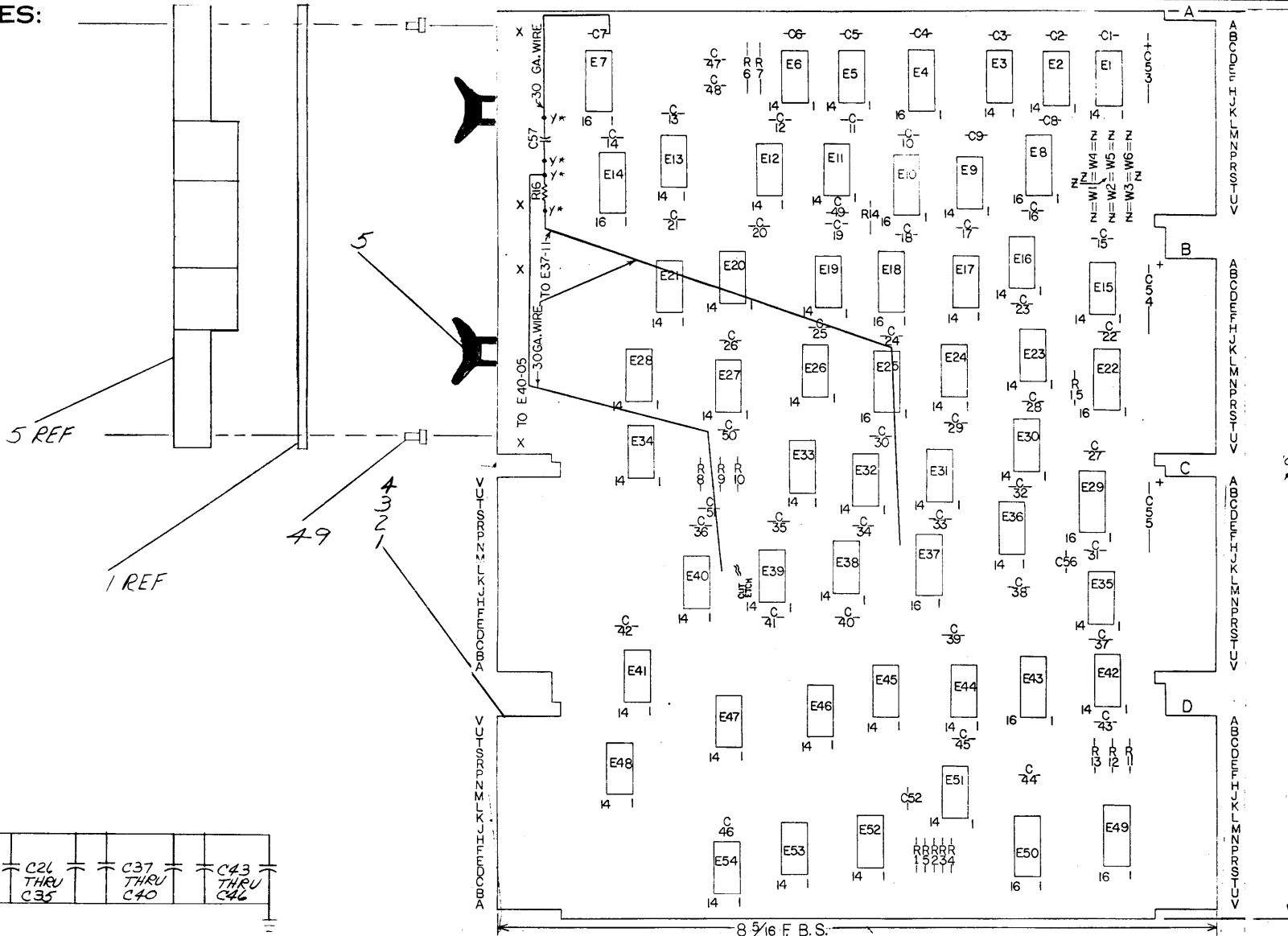
FIRST USED ON OPTION/MODEL	QTY.	DESCRIPTION	PART NO.	ITEM NO.
RK8-E				
PARTS LIST				
UNLESS OTHERWISE SPECIFIED DIMENSION IN INCHES TOLERANCES	DRN <i>R. K. ...</i>	DATE 7-17-72	 digital EQUIPMENT CORPORATION MAYNARD MASSACHUSETTS	
DECIMALS .xxx = .005 .xx = .02 .x = .1	ENG <i>...</i>	DATE 10-2-72		
ANGLES ±0° 30'	PROJ. ENG. <i>...</i>	DATE 10/6/72		
REMOVE BURRS AND BREAK SHARP CORNERS SURFACE QUALITY ✓	PROD. <i>...</i>	DATE 10/6/72		
MATERIAL	NEXT HIGHER ASSY.	SIZE CODE	NUMBER	REV.
FINISH	SCALE	D	FD RK8-E-1	
	SHEET 4 OF 4	DIST.		

FLOW DIAGRAM (RK8-E)

REV
 NUMBER
 D FD RK8-E-1

This drawing and specifications, herein, are the property of Digital Equipment Corporation and shall not be reproduced or copied in whole or in part as the basis for the manufacture or sale of items without written permission.

NOTES:



AC2, AF1, AN1, AT1, AF2, AN2, AT2, BC1, BF1, BN1, BT1, BC2, BF2, BN2, BT2, CC1, CF1, CN1, CT1, CC2, CF2, CN2, CT2, DC1, DF1, DN1, DT1, DC2, DF2, DN2, DT2.

AR	DESCRIPTION	QTY	REF
4	#30 AWG WIRE, SOLID, GREEN GRIPLETS	9105740-55	52
1	CAP., 1000 PF 5% DM	1210244-0	51
4	EYELET	1000042	50
9	SPLIT LUGS	9006750	49
4	E1, E10, E18, E25	9006735	48
1	E7	I.C. DEC 74174	1910652
1	E50	I.C. DEC 74123	1910436
3	E11, E10, E48	I.C. DEC 74174	1910363
1	E33	I.C. DEC 7496	1910155
		I.C. DEC 7437	1910091

QTY	REF DESIGNATION	DESCRIPTION	PART NO.	ITEM NO.
1	E43	I.C. DEC 74173	1910018	42
4	E8, E22, E29, E49	I.C. DEC 8235	1909935	41
1	E21	I.C. DEC 74H04	1909931	40
1	E36	I.C. DEC 8881	1909705	39
1	E1	I.C. DEC 314	190974	38
4	E16, E23, E27, E31	I.C. DEC 74H04	1909686	37
1	E38	I.C. DEC 74H74	1909667	36
1	E37	I.C. DEC 8251B	1909594	35
1	E30	I.C. DEC 384	1909486	34
4	E2, E15, E35, E42	I.C. DEC 380	1909485	33
2	E4, E26	I.C. DEC 74H53	1909062	32
1	E20	I.C. DEC 74H00	1909056	31
6	E3, E5, E9, E17, E29, E32	I.C. DEC 7495	1909055	30
6	E13, E19, E28, E34, E51, E53	I.C. DEC 7402	1909004	29
1	E12	I.C. DEC 7473	1905587	28
1	E14	I.C. DEC 7476	1905585	27
2	E9, E44	I.C. DEC 7440	1905579	26
1	E47	I.C. DEC 7410	1905576	25
3	E45, E46, E54	I.C. DEC 7400	1905575	24
2	E39, E52	I.C. DEC 7474	1905547	23
2	R6, R7	RES., 511K, 1/8W, 1%, MF	1304854	22
2	R2, R3	RES., 100, 1/4W, 5%, C.C.	1301322	21
2	R12, R13	RES., 4.7K, 1/4W, 5%, C.C.	1300447	20
1	R9	RES., 2.2K, 1/4W, 5%, C.C.	1300417	19
1	R11	RES., 1.8K, 1/4W, 5%, C.C.	1300398	18
2	R1, R4	RES., 390, 1/4W, 5%, C.C.	1300309	17
6	R5, R8, R10, R14, R15, R16	RES., 100, 1/4W, 5%, C.C.	1300229	16
2		SPACER (CABLE CLAMP)	1202704	15
40	C1 THRU C16, C18 THRU C20, C22 THRU C24, C26 THRU C35, C37 THRU C40, C43 THRU C46	CAP., 0.1UF, 100V, 20%, DISC	1001610	14
3	C53 THRU C55	CAP., 0.01UF, 35V, 20%, TANT	1000067	13
2	C49, C56	CAP., 470PF, 100V, 5% DM	1000024	12
1	C51	CAP., 330PF, 100V, 5% DM	1000023	11
1	C52	CAP., 100PF, 100V, 5% DM	1000020	10
1	C50	CAP., 120PF, 100V, 5% DM	00018	9
1	C47	CAP., 39PF, 100V, 5% DM	1000010	8
1	C48	CAP., 10PF, 100V, 5% DM	1000006	7
6	C17, C21, C25, C36, C41, C42	CAP., 0.02UF, 100V, 20%, DISC	1000004	6
2		HANDLE, FLIP-CHIP, MAGENTA	9008337-06	5
4		ETCHED CIRCUIT BOARD	5010064	4
3		MODULE ECO HISTORY	B-MH-M7104-0-6	3
2		ASSY/DRILLING HOLE LAYOUT	D-AH-M7104-0-2	2
1		X-Y COORDINATE HOLE LOCATION	K-CO-M7104-0-4	1

DEC 74123	8	16
DEC 74174	8	16
DEC 7496	5	12
DEC 74193	8	16
DEC 8235	8	16
DEC 314	1	8
DEC 8251B	8	16
DEC 384	1	8
DEC 380	1	8
DEC 7473	4	11
DEC 7476	5	13
IC TYPE	GND	+5V

GND AND 5V ARE USUALLY PIN 7 AND 14 RESPECTIVELY. EXCEPTIONS ARE STATED ABOVE.

IC PIN LOCATIONS

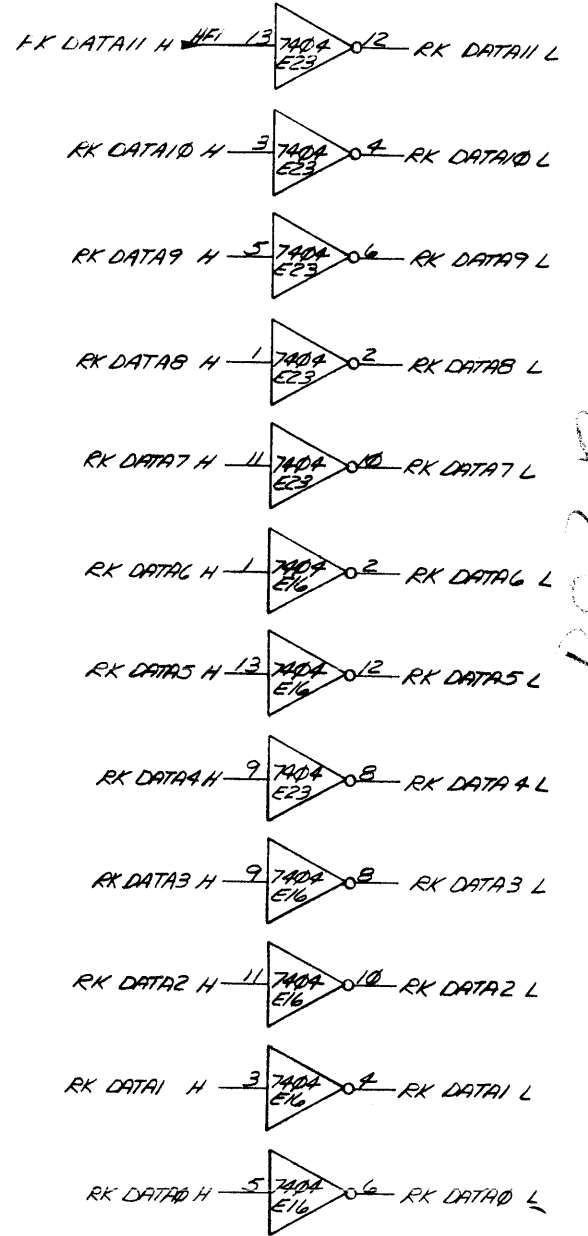
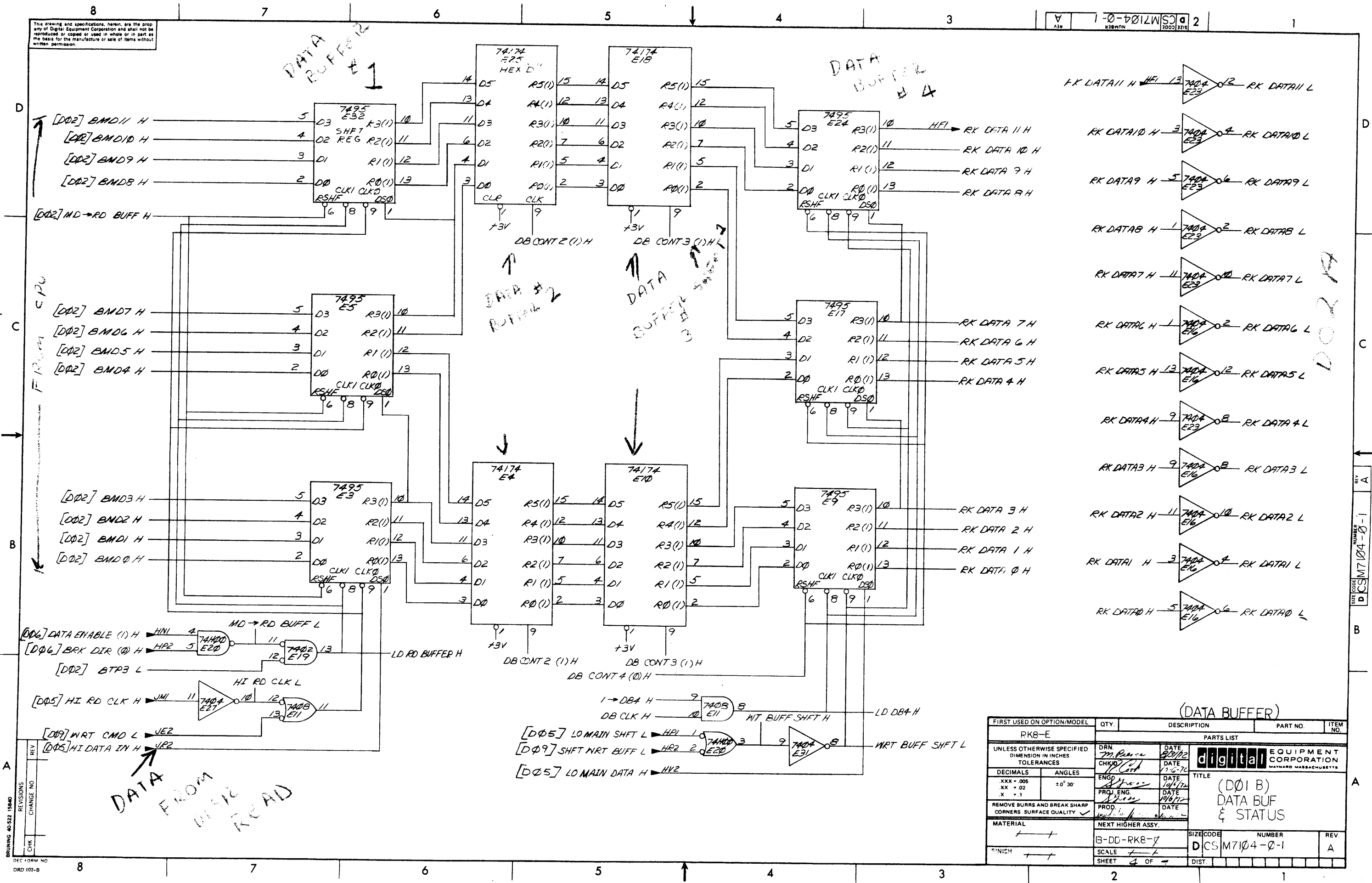
FIRST USED ON OPTION MODEL		ETCH BOARD REV		PARTS LIST	
RKB-E		B			
DRN	CHK'D	ENG	PROJ. ENG	PROB.	NEXT HIGHER ASSY
DATE 8/8/72	DATE 10-6-72	DATE 10/6/72	DATE 10/6/72	DATE 10/6/72	DATE 10/6/72
TITLE				EQUIPMENT CORPORATION	
DATA BUFFER				MAYNARD, MASSACHUSETTS	
STATUS				DICS M7104-0-1	
DEC NO.		EIA NO.		REV.	
				A	
SEMICONDUCTOR CONVERSION CHART					
SCALE		SHEET		OF	
2		OF		1	

BRUNING 40-522 16E99

DEC FORM NO. DRD-135A

This drawing and specifications, herein, are the property of Digital Equipment Corporation and shall not be reproduced or copied or used in whole or in part as the basis for the manufacture or sale of items without written permission.

CSM7104-0-1



(DATA BUFFER)

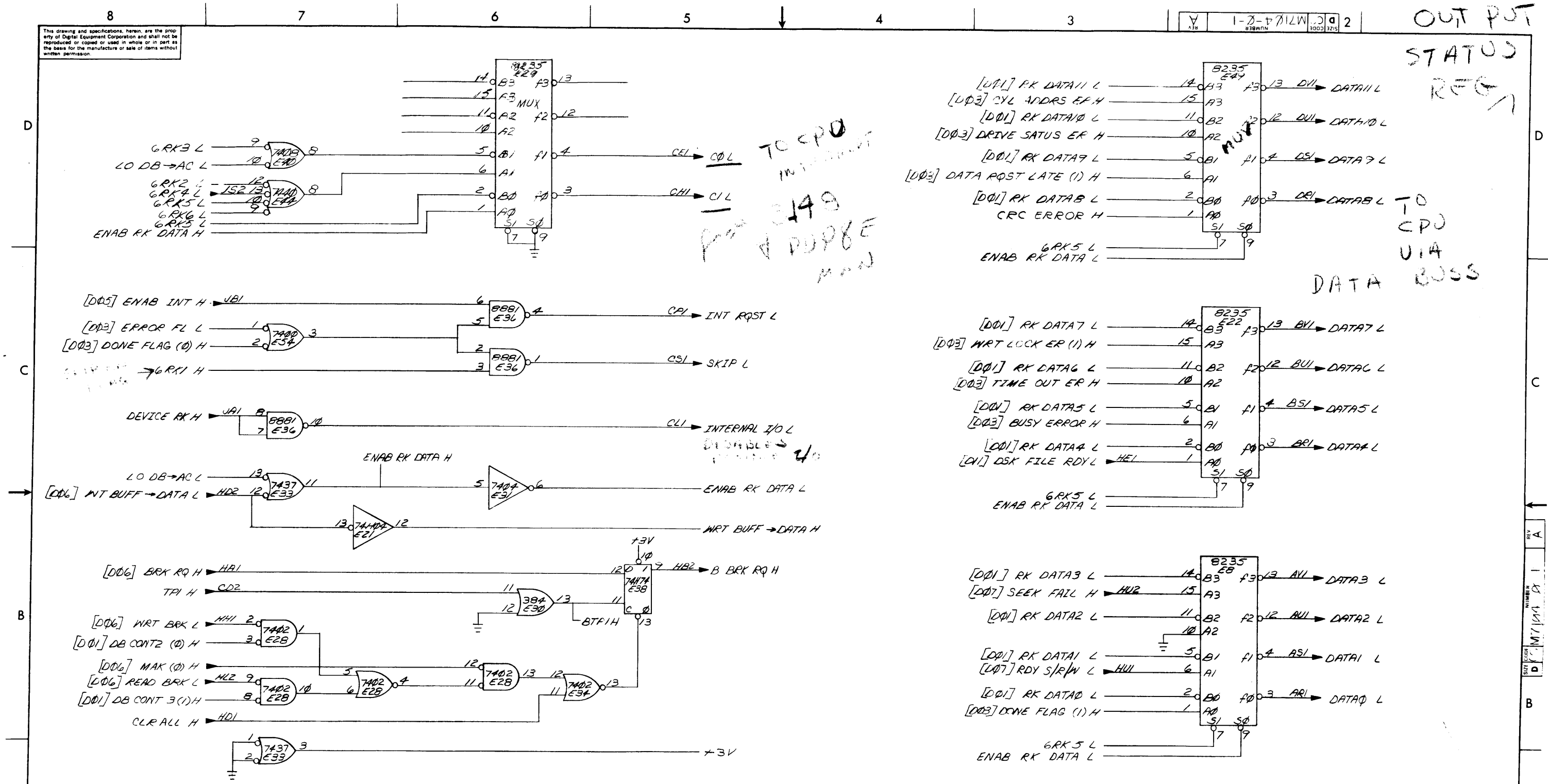
FIRST USED ON OPTION/MODEL	QTY.	DESCRIPTION	PART NO.	ITEM NO.
RK8-E				
PARTS LIST				
UNLESS OTHERWISE SPECIFIED DIMENSION IN INCHES TOLERANCES		DRAWN: <i>T. P. ...</i> DATE: 8/21/72	digital EQUIPMENT CORPORATION MAYNARD, MASSACHUSETTS	
DECIMALS: .005 ANGLES: ±0° 30'		CHECKED: <i>[Signature]</i> DATE: 7/16/72		
REMOVE BURRS AND BREAK SHARP CORNERS SURFACE QUALITY		ENG: <i>[Signature]</i> DATE: 10/1/72	TITLE (D01 B) DATA BUF & STATUS	
MATERIAL		PROD: <i>[Signature]</i> DATE: 10/1/72		
FINISH		NEXT HIGHER ASSY.	SIZE CODE	NUMBER
		B-DD-RK8-7	D	CSM7104-0-1
		SHEET 4 OF 4	DIST.	REV A

BRUNING 40-522 15840
DEC FORM NO
DRD 102-B

REV A
NUMBER 104-0-1
CSM7104-0-1

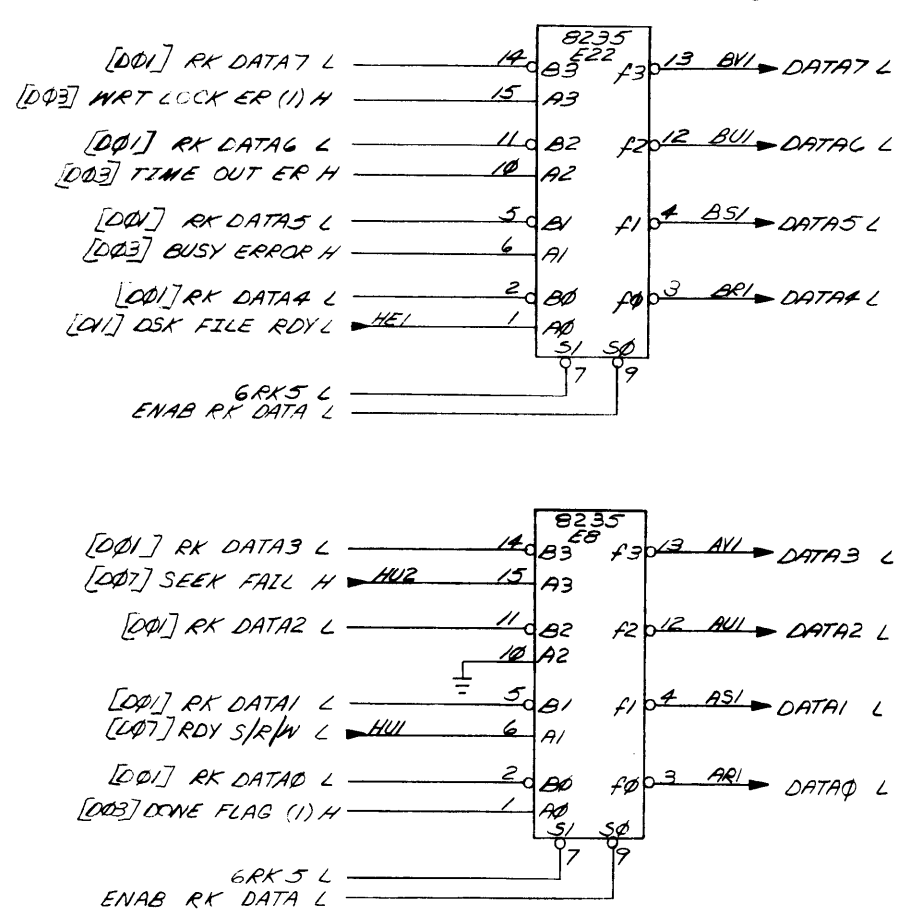
This drawing and specifications, herein, are the property of Digital Equipment Corporation and shall not be reproduced or copied or used in whole or in part as the basis for the manufacture or sale of items without written permission.

OUT PUT STATUS REG



TO CPU
INITIAL
3148
PDP8E
MAN

TO CPU
VIA
DATA BUS

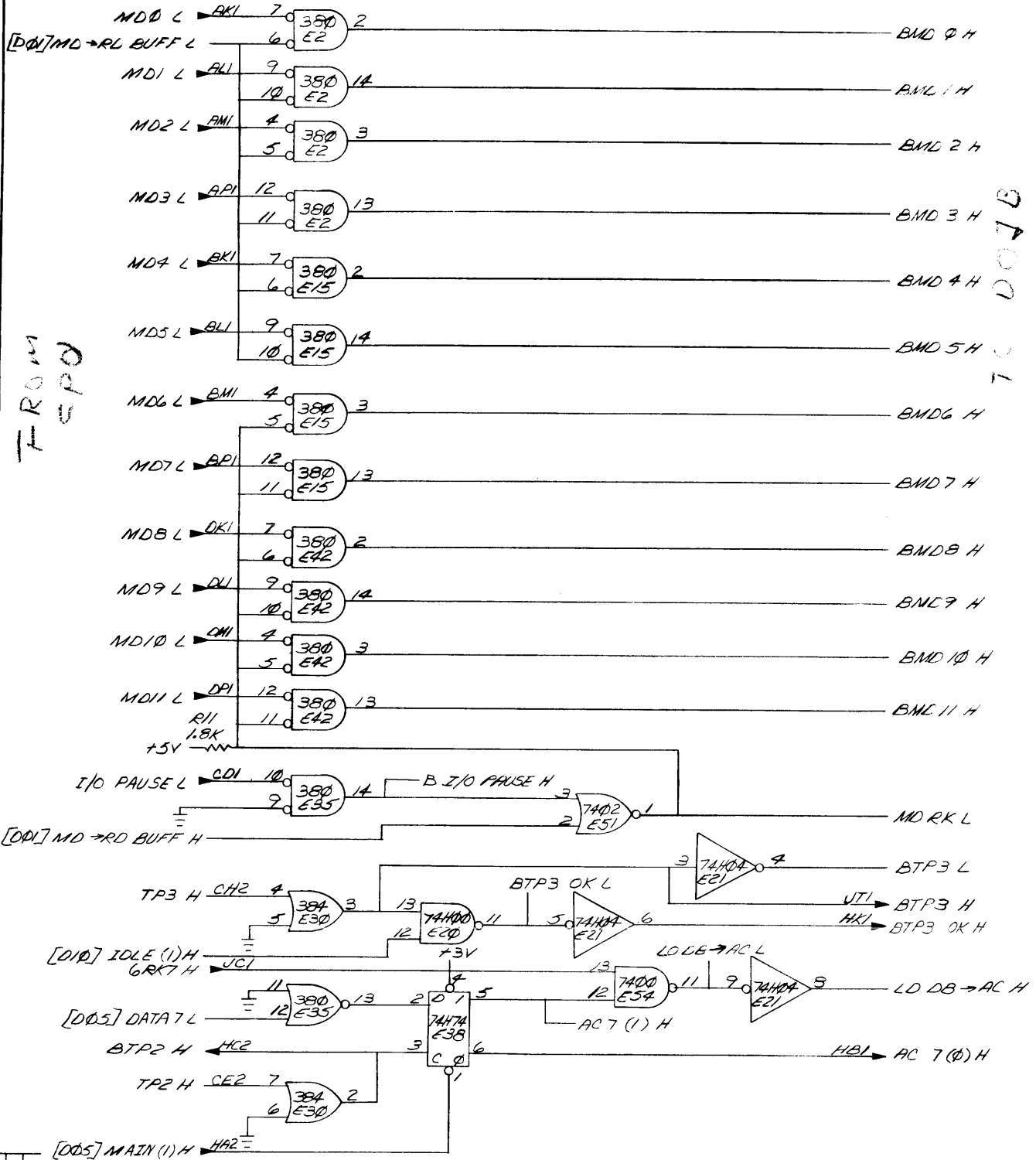


REV	CHANGE NO

BRUNING 40-522-15840
DEC FORM NO DRD 102-B

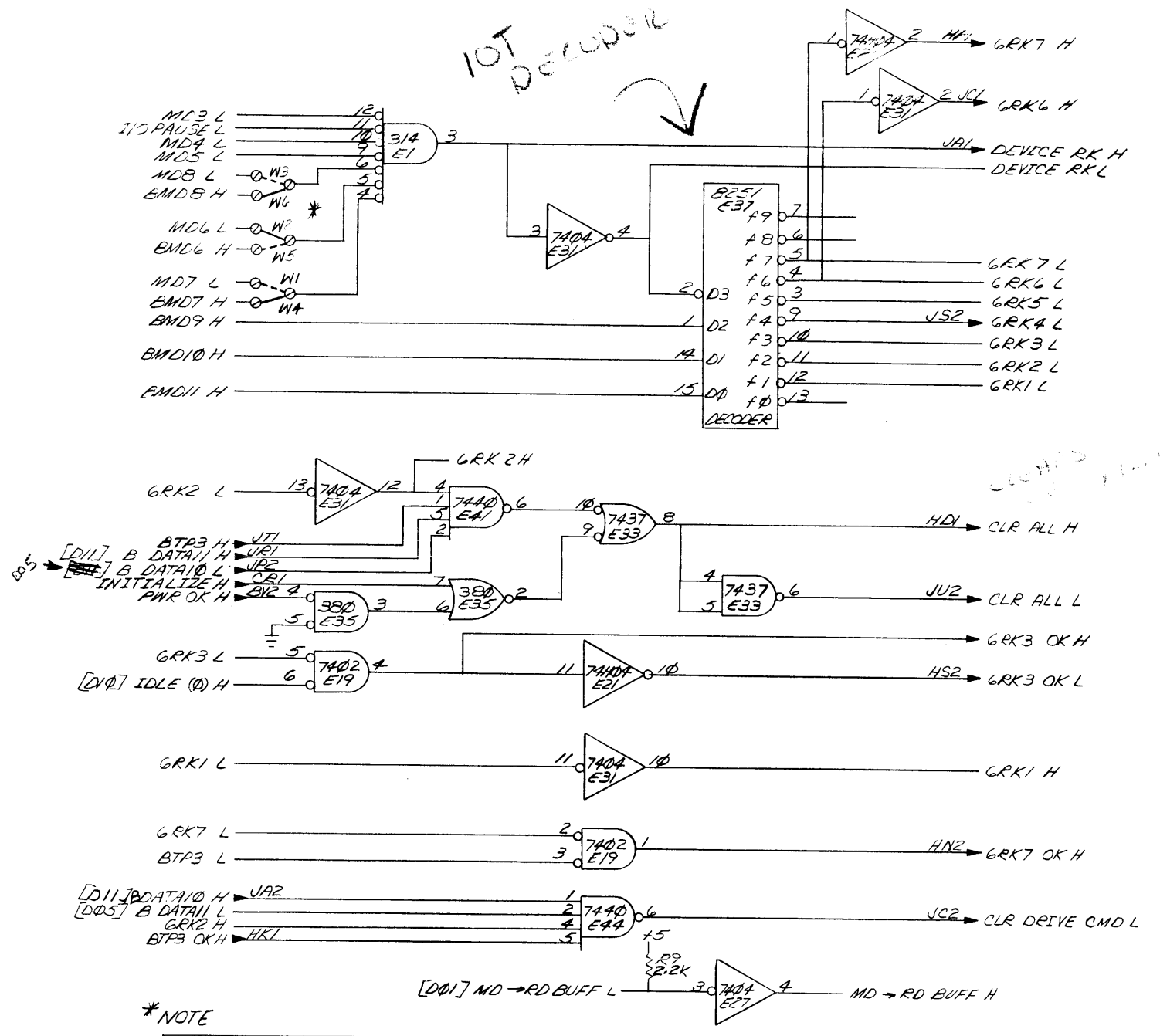
FIRST USED ON OPTION/MODEL		QTY.	DESCRIPTION	PART NO.	ITEM NO.
RK8-E					
UNLESS OTHERWISE SPECIFIED DIMENSION IN INCHES. TOLERANCES					
DECIMALS	ANGLES	DRN. <i>M. L. W.</i>	DATE	PARTS LIST	
.XXX ± .005	± 0° 30'	CHK'D <i>R. L. S.</i>	DATE	digital EQUIPMENT CORPORATION MAYNARD MASSACHUSETTS	
X ± .1		ENG <i>M. L. W.</i>	DATE	TITLE (D02A) DATA BUF & STATUS	
REMOVE BURRS AND BREAK SHARP CORNERS SURFACE QUALITY		PROJ. ENG	DATE	MATERIAL	
		PROD <i>M. L. W.</i>	DATE	NEXT HIGHER ASSY.	
				SIZE CODE	NUMBER
				D	CSM7104-01
				SCALE	REV
				5 OF	A
				DIST.	

This drawing and specifications, herein, are the property of Digital Equipment Corporation and shall not be reproduced or copied in whole or in part as the basis for the manufacture or sale of items without written permission.



FROM CPU

D02 B



*** NOTE**
 IOT 674X AS SHOWN
 VALID IOT'S ARE
 674X
 675X
 676X
 677X

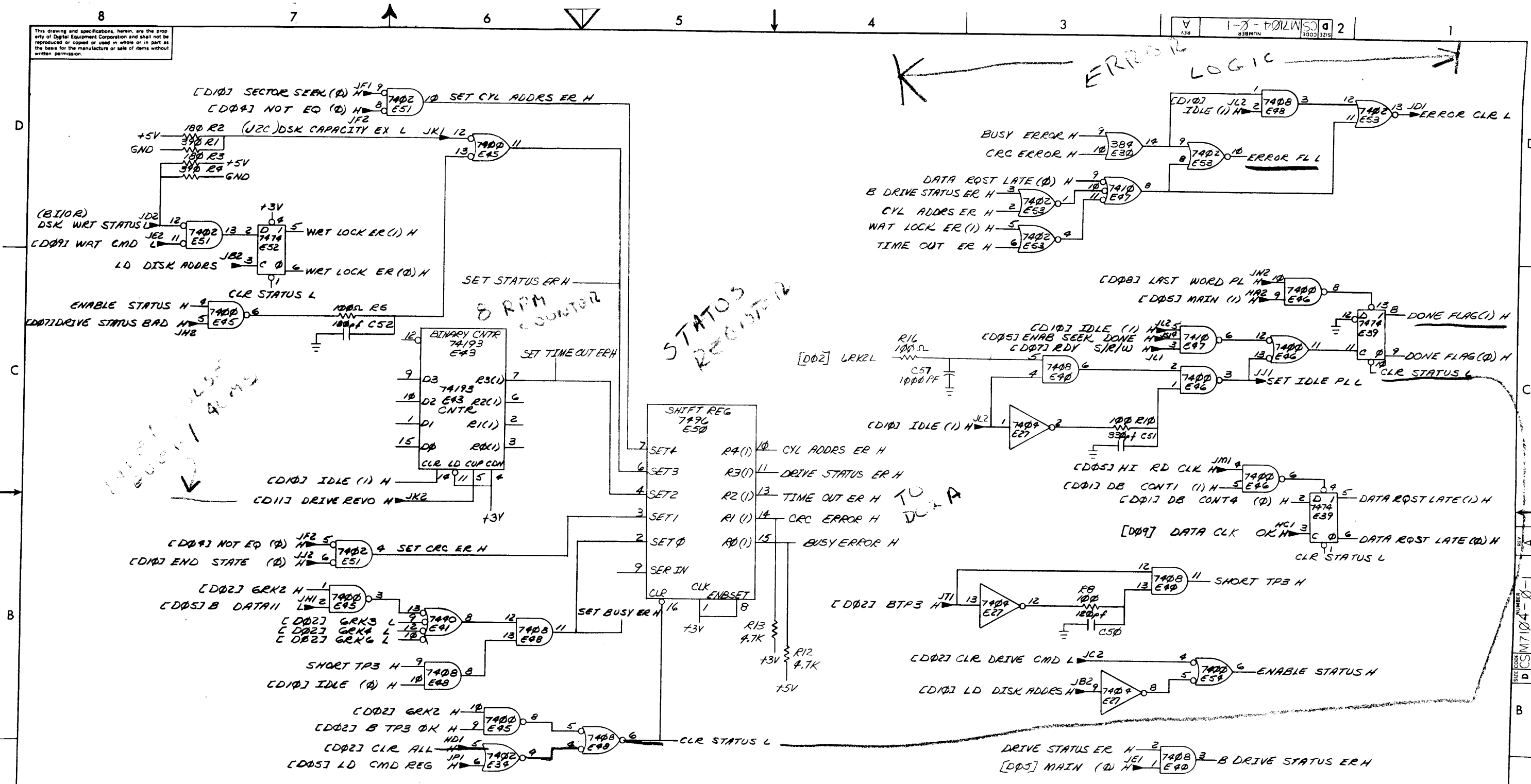
(OMNIBUS RECEIVERS)

FIRST USED ON OPTION/MODEL	QTY.	DESCRIPTION	PART NO.	ITEM NO.
RK8-E				
PARTS LIST				
UNLESS OTHERWISE SPECIFIED DIMENSION IN INCHES TOLERANCES		DRN	DATE	<div style="text-align: center;"> <p>digital EQUIPMENT CORPORATION MAYNARD, MASSACHUSETTS</p> </div>
DECIMALS	ANGLES	CHK'D	DATE	
.XXX - .005	±0° 30'	ENG	DATE	
.XX - .02		PROJ. ENG	DATE	
.X - .1		PROD.	DATE	
REMOVE BURRS AND BREAK SHARP CORNERS SURFACE QUALITY				
MATERIAL		NEXT HIGHER ASSY.		
FINISH		B-DD-RK8-0		
		SIZE/CODE	NUMBER	REV
		D	CSM7104-0-1	A
		SCALE		
		SHEET	6 OF	

BRUNING 40-522 15640
 DEC FORM NO
 DRD 102-B

This drawing and specifications, herein, are the property of Digital Equipment Corporation and shall not be reproduced or copied or used in whole or in part as the basis for the manufacture or sale of items without written permission.

REV 1-2-72
 NUMBER 3000
 SIZE 2



(STATUS REGISTER ERROR DETECT)

FIRST USED ON OPTION/MODEL	QTY	DESCRIPTION	PART NO.	ITEM NO.
RKB-E				
UNLESS OTHERWISE SPECIFIED DIMENSION IN INCHES TOLERANCES				
DECIMALS	ANGLES	DATE	PARTS LIST	
XXX - 005	± 0° 30'	7-11-72	digital EQUIPMENT CORPORATION MATTAPOISETT, MASSACHUSETTS TITLE (D03) DATA BUF & STATUS	
XX - 02		1/6/72		
X - 1		1/10/72		
		1/16/72		
REMOVE BURRS AND BREAK SHARP CORNERS SURFACE QUALITY				
MATERIAL				
NEXT HIGHER ASSY.				
FINISH			SCALE	REV.
			7 OF -	A
			SHEET	

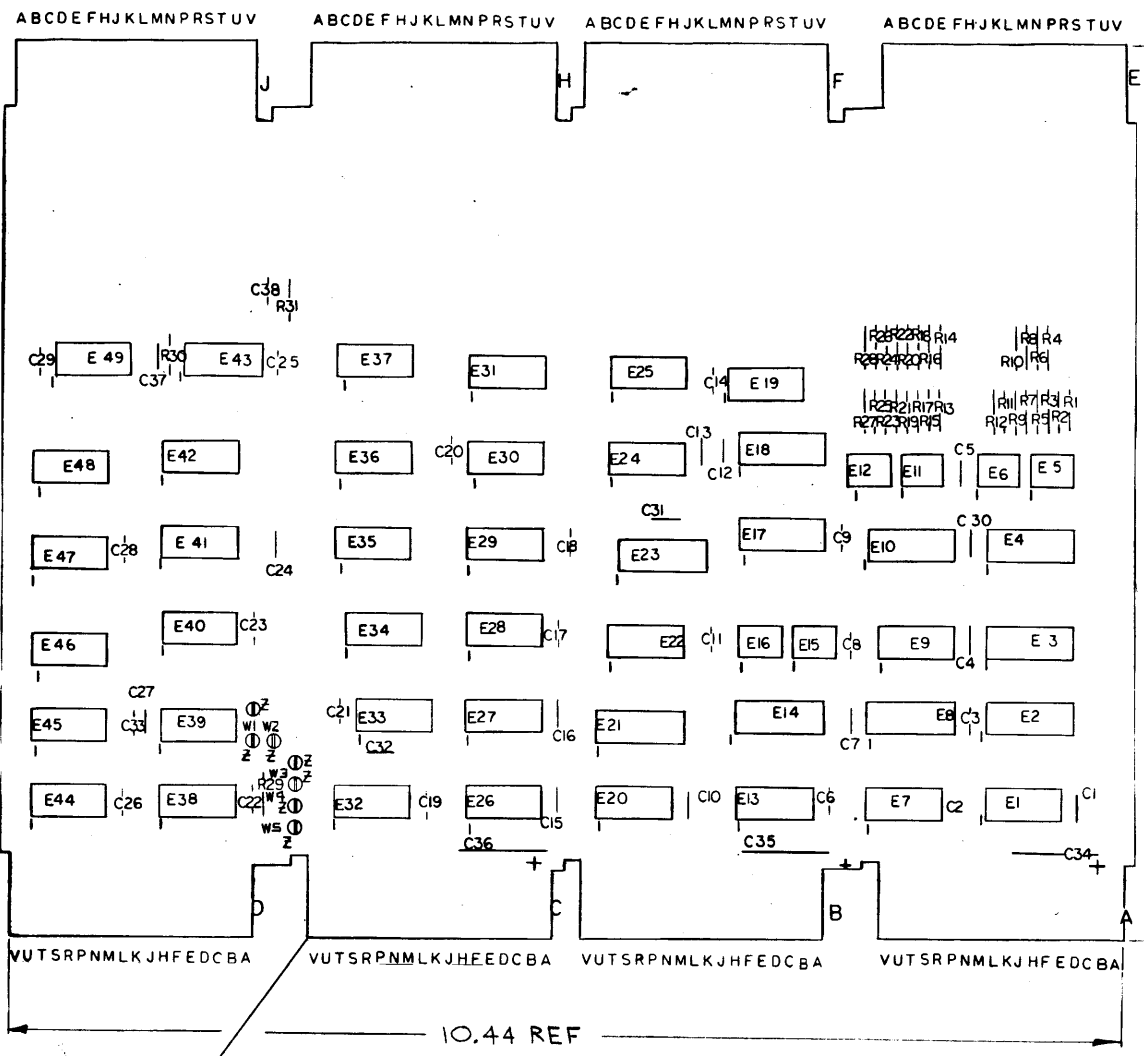
BRUNING 40-522 15840

REV	NO	DATE
1	1	7-11-72
2	2	1-6-72
3	3	1-10-72

DEC FORM NO 13RD 102-B

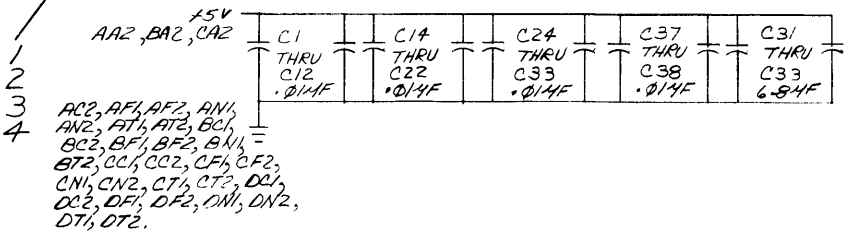
This drawing and specifications, herein, are the property of Digital Equipment Corporation and shall not be reproduced or copied or used in whole or in part as the basis for the manufacture or sale of items without written permission.

NOTES:



8.31 F.B.S. REF

10.44 REF



QTY	REF DESIGNATION	DESCRIPTION	PART NO.	ITEM NO.
7		SPLIT LUG	9006735	34
1	E46	I.C. DEC 7440	1905579	33
1	E10	I.C. DEC 74155	1910656	32
1	E23	I.C. DEC 74174	1910652	31
3	E8, E18, E21	I.C. DEC 74161	1910650	30
4	E5, E6, E15, E16	I.C. DEC 75452	1910645	29
2	E11, E12	I.C. DEC 75451	1910906	28
2	E9, E19	I.C. DEC 7496	1910363	27
3	E25, E30, E41	I.C. DEC 7408	1910155	26
1	E24	I.C. DEC 7486	1910011	25
6	E1, E7, E20, E26, E38, E44	I.C. DEC 8881	1909705	24
2	E39, E45	I.C. DEC 74474	1909667	23
3	E3, E3, E17	I.C. DEC 8271	1909615	22
2	E42, E43	I.C. DEC 7404	1909686	21
1	E27	I.C. DEC 384	1909486	20
3	E13, E22, E32	I.C. DEC 380	1909485	19
1	E38	I.C. DEC 74411	1909267	18
1	E9	I.C. DEC 74452	1909061	17
1	E37	I.C. DEC 74410	1909057	16
2	E28, E47	I.C. DEC 7402	1909004	15
6	E19, E29, E31, E36, E40, E49	I.C. DEC 7400	1905575	14
3	E34, E35, E48	I.C. DEC 7474	1905547	13
14	R2, R5, R6, R9, R10, R12, R15, R16, R17, R20, R23, R24, R27, R28	RESISTOR 100, 1/4W, 5%	1301322	12
1	R29	RESISTOR, 1K, 1/4W, 5%	1300365	11
14	R1, R3, R4, R7, R8, R11, R13, R14, R18, R19, R21, R22, R25, R26	RESISTOR, 390, 1/4W, 5%	1300309	10
2	R30, R31	RESISTOR, 100, 1/4W, 5%	1300229	9
32	C1 THRU C33	CAP, .014F, 100V, 20% DISC	1001610	8
3	C34 THRU C36	CAP, 6.84F, 35V, 20% STANT	1000067	7
1	C38	CAP, 560PF, 100V, 5% D.M.	1000025	6
1	C37	CAP, 470PF, 100V, 5% D.M.	1000024	5
1		ETCHED CIRCUIT BOARD	5010065	4
REF		MODULE ECO HISTORY	B-MH-M7105-0-1	3
REF		ASSY DRILLING HOLE LAYOUT	D-AH-M7105-0-5	2
REF		X-Y COORDINATE HOLE LOCATION	K-CO-M7105-0-1	1

DATE	REV	DESCRIPTION
DEC 74155	8	16
DEC 74174	8	16
DEC 74174	8	16
DEC 74161	8	16
DEC 75452	4	8
DEC 75451	4	8
DEC 8271	8	16
DEC 384	1	8
DEC 380	1	8

IC TYPE: GND +5V

GND AND 5V ARE USUALLY PIN 7 AND 14 RESPECTIVELY. EXCEPTIONS ARE STATED ABOVE.

IC PIN LOCATIONS

FIRST USED ON OPTION MODEL

ETCH BOARD REV

DRN	DATE	8/31/72
CHKD.	DATE	
ENG.	DATE	
PROJ. ENG.	DATE	
PROD.	DATE	

digital EQUIPMENT CORPORATION
MAYNARD MASSACHUSETTS

TITLE: MAJOR REGISTERS

SIZE CODE: DCS M7105-0-1
NUMBER: A
REV.:

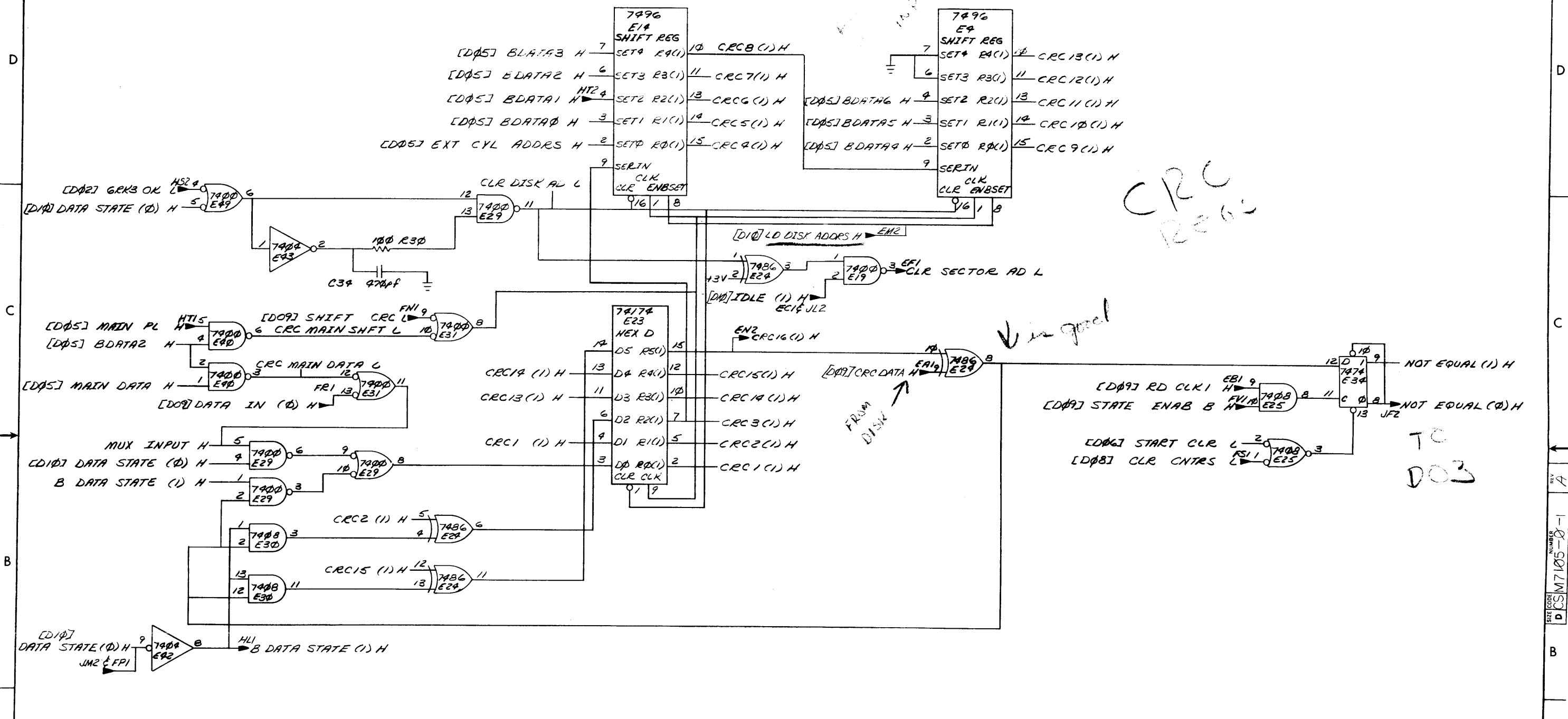
SCALE: N3:1
SHEET: 2 OF

SEMICONDUCTOR CONVERSION CHART

BRUNING 40-522 16899

This drawing and specifications, herein, are the property of Digital Equipment Corporation and shall not be reproduced or copied or used in whole or in part as the basis for the manufacture or sale of items without written permission.

1-0-5012W 2



CRC Reg

FROM DISK

TO DO3

(CRC/DISK ADDRESS REG)

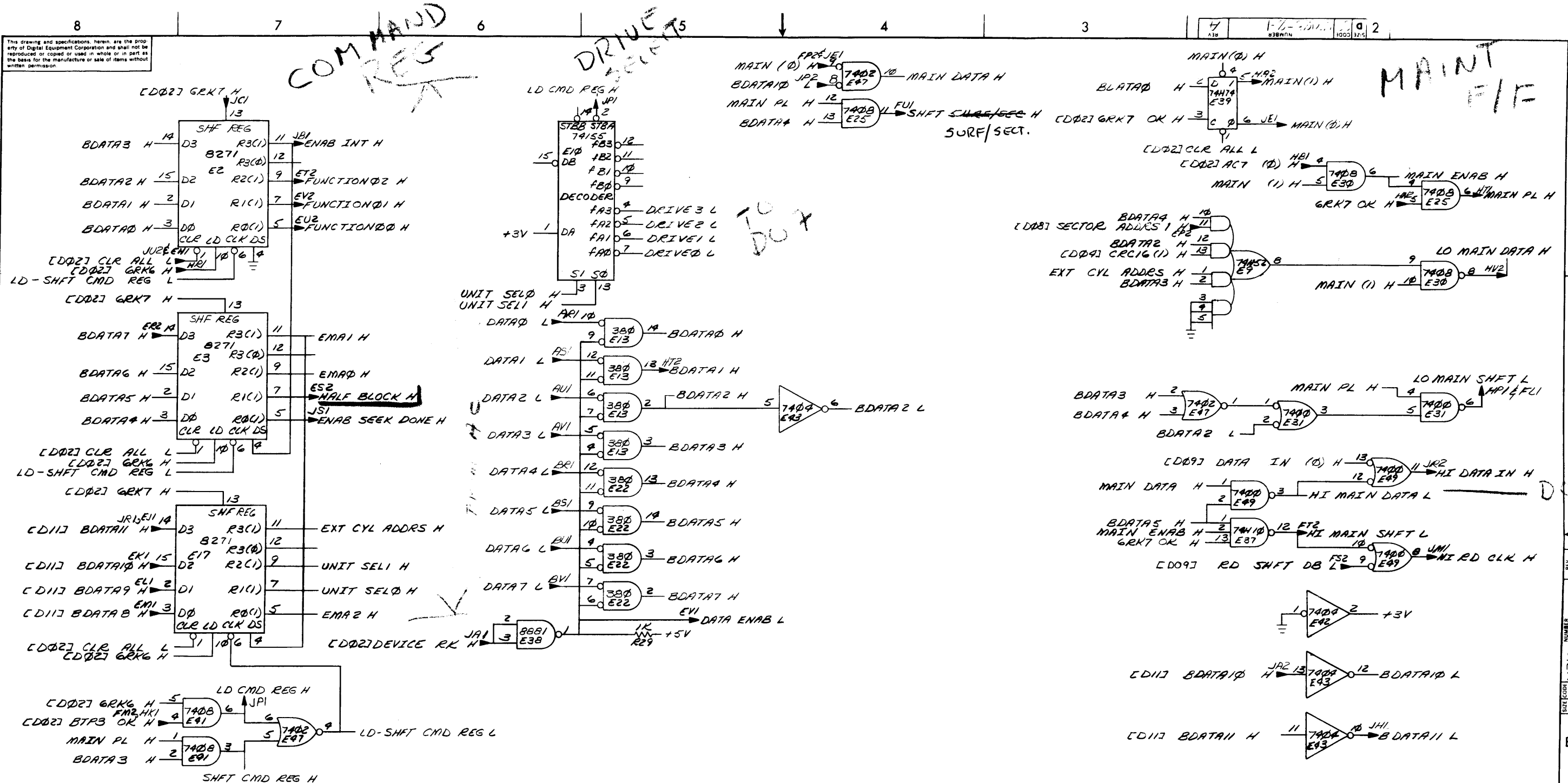
FIRST USED ON OPTION/MODEL	QTY.	DESCRIPTION	PART NO.	ITEM NO.
RK8-E				
PARTS LIST				
UNLESS OTHERWISE SPECIFIED DIMENSION IN INCHES TOLERANCES	DRN CHK'D	DATE DATE	digital EQUIPMENT CORPORATION <small>MAYNARD MASSACHUSETTS</small> TITLE (D04) MAJOR REGISTERS	
DECIMALS .005 XX = .02 .X = .1	ENG. PROJ. ENG. PROD.	DATE DATE DATE		
REMOVE BURRS AND BREAK SHARP CORNERS SURFACE QUALITY		DATE		
MATERIAL	NEXT HIGHER ASSY.			
FINISH	D-UA-RK8-E-0	SCALE	SIZE CODE D CS M7105-0-1	NUMBER D04
	SHEET 3 OF	DIST.		REV. A

REV.	REV.
1	1
2	2
3	3

BRUNING 40-522 15640
DEC FORM NO
DRD 102-B

REV. A
NUMBER
CS M7105-0-1

This drawing and specifications, herein are the property of Digital Equipment Corporation and shall not be reproduced or copied or used in whole or in part as the basis for the manufacture or sale of items without written permission.



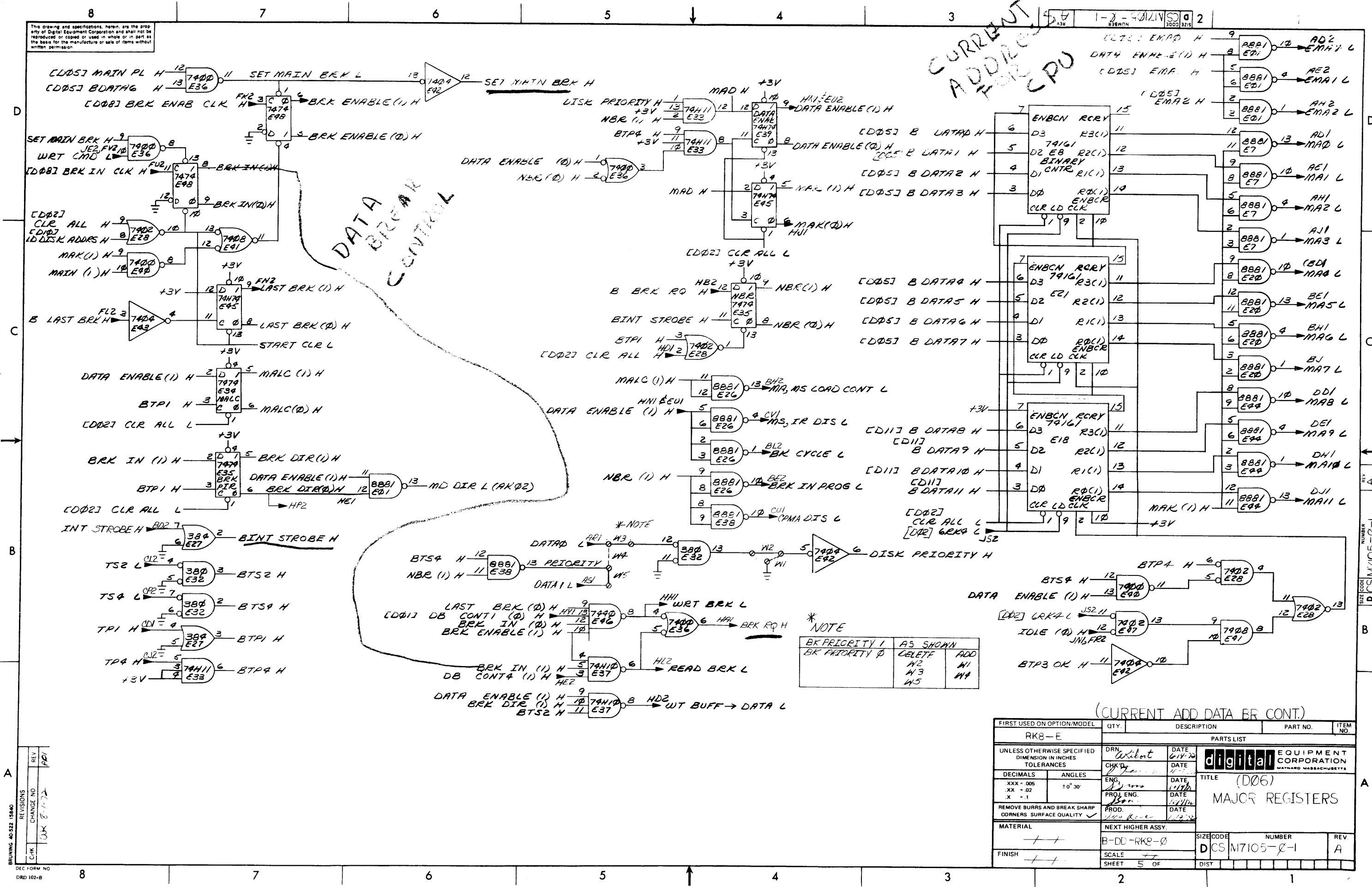
(COMMAND REG. MAINT. LOGIC)

FIRST USED ON OPTION/MODEL	QTY.	DESCRIPTION	PART NO.	ITEM NO.
RK8-E				
PARTS LIST				
UNLESS OTHERWISE SPECIFIED DIMENSION IN INCHES TOLERANCES	DRN. <i>[Signature]</i>	DATE 6-13-71	 digital EQUIPMENT CORPORATION BOSTON, MASSACHUSETTS	
DECIMALS ANGLES	CHK'D. <i>[Signature]</i>	DATE 7-7-71		
XXX - 006 XX - 02 X - 1	ENG. <i>[Signature]</i>	DATE 10-7-71		
REMOVE BURRS AND BREAK SHARP CORNERS SURFACE QUALITY	PROJ. ENG. <i>[Signature]</i>	DATE 11-9-71		
MATERIAL	PROD. <i>[Signature]</i>	DATE 11-11-71	TITLE (D05) MAJOR REGISTER	
FINISH	NEXT HIGHER ASSY.			
	B-DC-RK8-0	SIZE CODE NUMBER REV.		
	SCALE	DIST. DCS M7105-0-1		
	SHEET 4 OF 6			

BRUNNIG 40-522 15840	REV. P#1
CHG. NO. 5-7-72	
REVISIONS	
FORM NO. DRD 102-B	

SHEET NUMBER 7105-0-1
 SIZE CODE DCS M7105-0-1
 REV. 4

This drawing and specifications, herein, are the property of Digital Equipment Corporation and shall not be reproduced or copied in whole or in part as the basis for the manufacture or sale of items without written permission.



CURRENT ADDRESS FOR CPU

DATA BREAK CONTROL

* NOTE

BK PRIORITY 1	AS SHOWN	
BK PRIORITY 0	DELETE	ADD
	42	41
	43	44
	45	44

(CURRENT ADD DATA BR CONT.)

FIRST USED ON OPTION/MODEL	QTY.	DESCRIPTION	PART NO.	ITEM NO.
RK8-E		PARTS LIST		
UNLESS OTHERWISE SPECIFIED DIMENSION IN INCHES TOLERANCES	DRN	DATE	EQUIPMENT CORPORATION	
DECIMALS	CHK'D	DATE	MAYNARD MASSACHUSETTS	
ANGLES	ENG.	DATE	TITLE (D06)	
XXX - 005	PROJ. ENG.	DATE	MAJOR REGISTERS	
.XX - 02	PROD.	DATE		
X - 1		DATE		
REMOVE BURRS AND BREAK SHARP CORNERS SURFACE QUALITY				
MATERIAL	NEXT HIGHER ASSY.			
FINISH		SCALE	SIZE CODE	NUMBER
		SHEET 5 OF	DCSM7105-0-1	REV. A

BRUNING 40-522 15840

REV.	DATE	BY
1	8-1-72	PDI

DEC FORM NO DRD 102-B

REV. A
NUMBER
DCSM7105-0-1

The drawing and specifications herein are the property of Digital Equipment Corporation and shall not be reproduced, copied or used in whole or in part as the basis for the manufacture or sale of items without written permission.

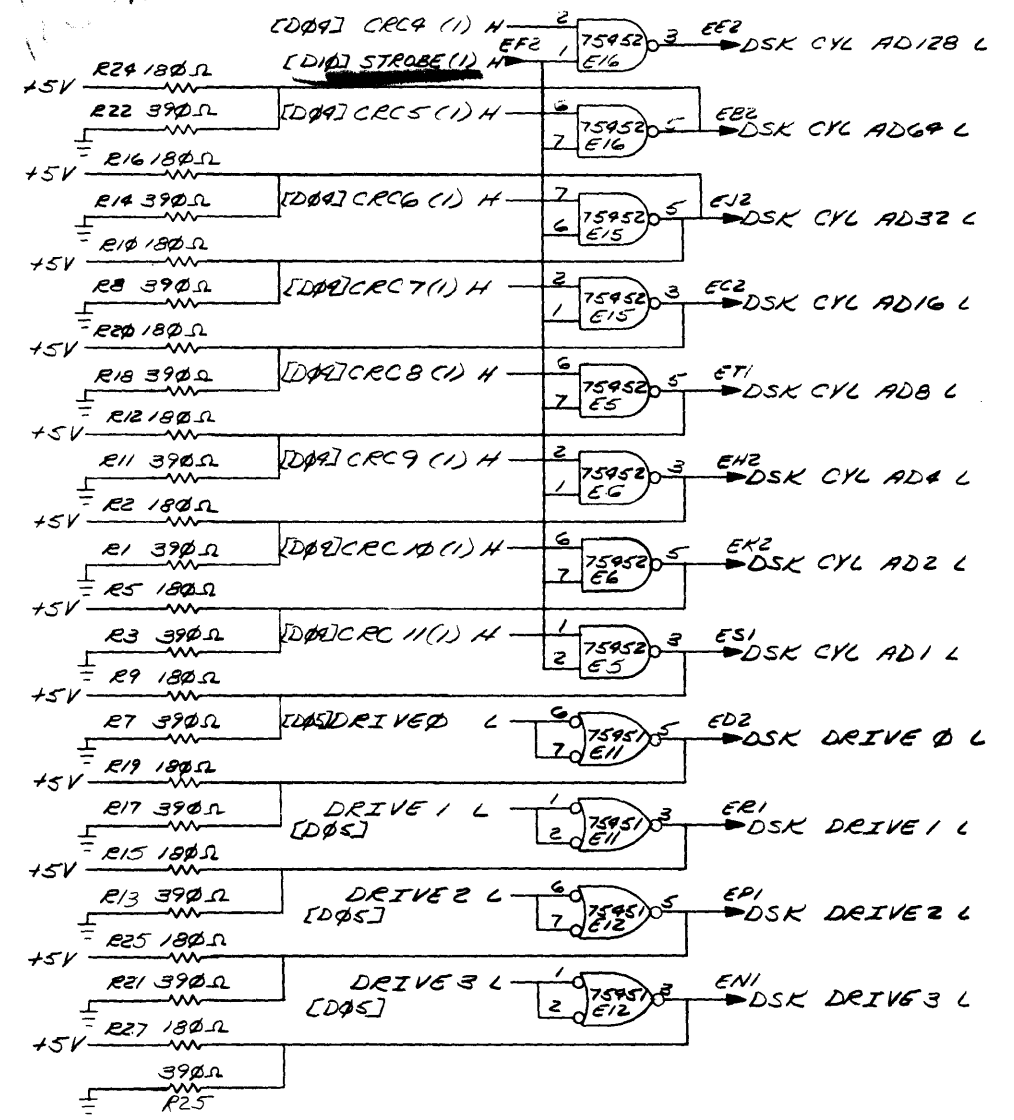
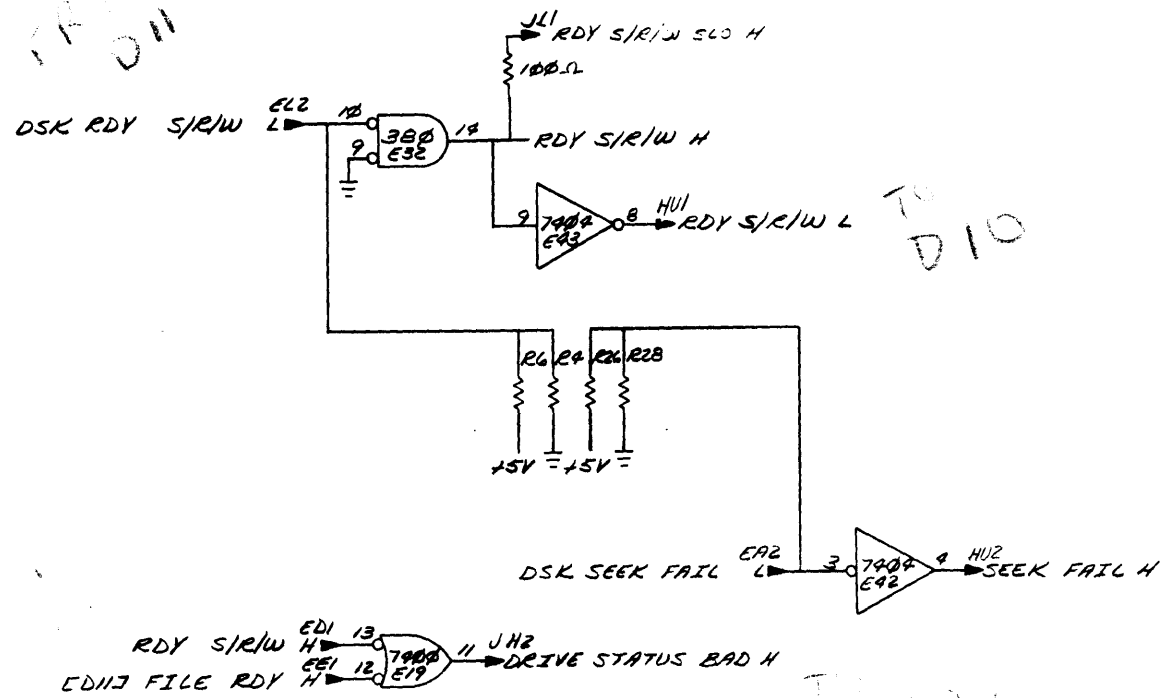
1-2-901215 2

INPUTS FROM CILC DRIVE CYLINDER

FROM DII

TO DIO

TO INPUT OF EVENT LOG



(DRIVE SIGNALS CABLE J1)

FIRST USED ON OPTION/MODEL	QTY.	DESCRIPTION	PART NO.	ITEM NO.
RK8-E				
PARTS LIST				
UNLESS OTHERWISE SPECIFIED DIMENSION IN INCHES TOLERANCES		DRN. <i>AK</i>	DATE 6-1-72	digital EQUIPMENT CORPORATION MAYNARD, MASSACHUSETTS TITLE (D07) MAJOR REGISTERS
DECIMALS	ANGLES	CHK'D.	DATE	
XXX - 005	± 0' 30"	ENG.	DATE	
XX - 02		PROJ. ENG.	DATE	
REMOVE BURRS AND BREAK SHARP CORNERS SURFACE QUALITY		PROD.	DATE	
MATERIAL	NEXT HIGHER ASSY.		SIZE CODE	NUMBER
++	B-DI-RK8-8		D	CSM7105-0-1
FINISH	SCALE	SHEET	DIST	REV
++	6 OF			A

BRUNING 40522 15840

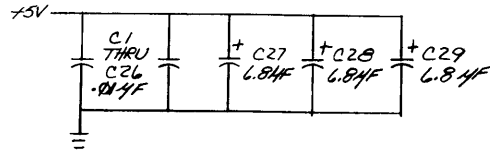
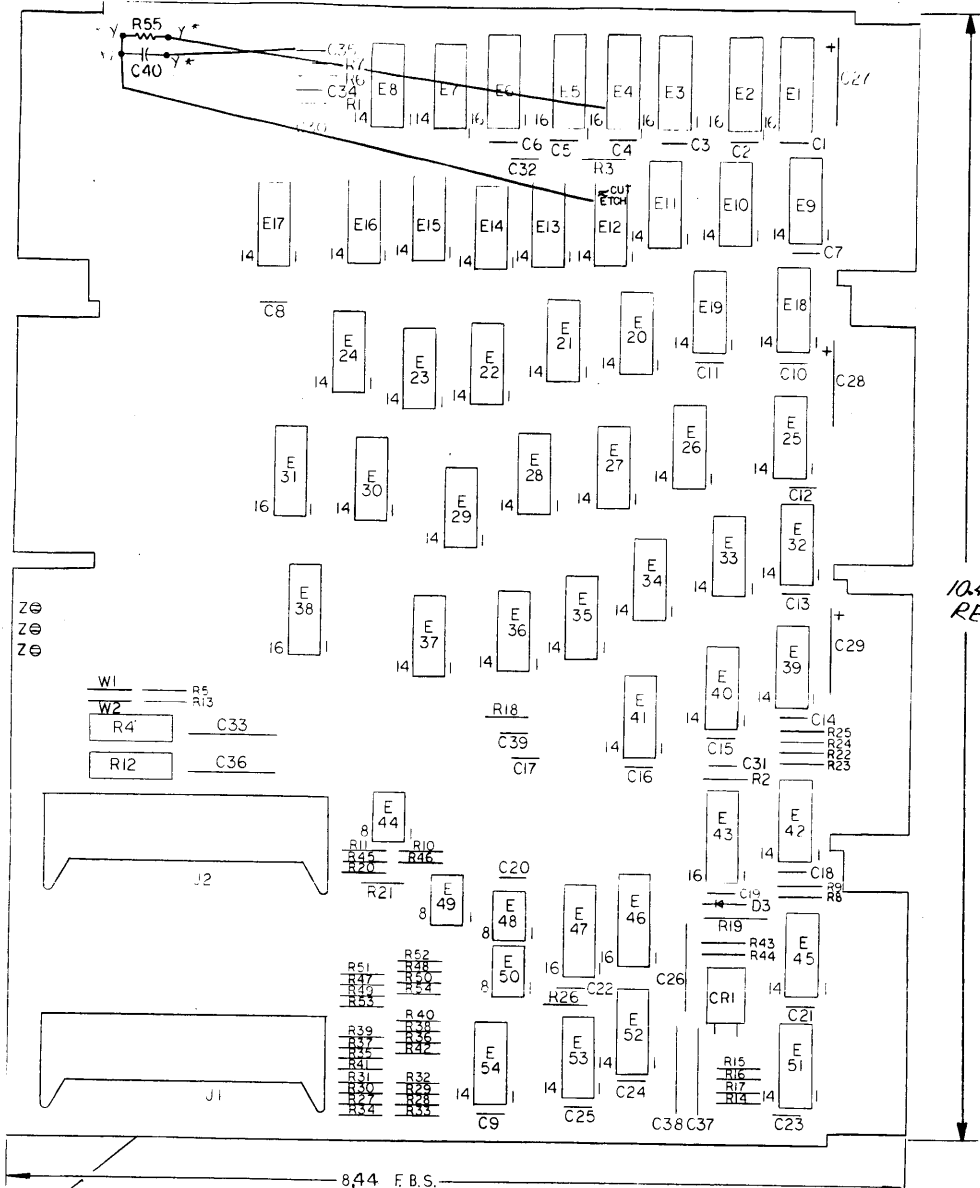
REV.	CHANGE NO.	DATE
1	1	3-1-72

DEC FORM NO. DRD 102-B

REV. A
D CSM7105-0-1

This drawing and specifications, herein, are the property of Digital Equipment Corporation and shall not be reproduced or copied or used in whole or in part as the basis for the manufacture or sale of items without written permission.

NOTES:



QTY	REF DESIGNATION	DESCRIPTION	PART NO.	ITEM NO.
1	C40	CAPACITOR 470PF, 100V, 5%	1000024	48
AR		#30AWG WIRE, SOLID GREEN	9105740-55	47
4		GRIPLETS	1210244-0	46
AIR	W1, W2	INSULATED JUMPER	9009185	45
2	J1, J2	CONN. 40 RT ANGLE	1209941	44
1	E31	I.C. TYPE 74155	1910656	43
2	E38, E43	I.C. TYPE 74123	1910436	42

QTY	REF DESIGNATION	DESCRIPTION	PART NO.	ITEM NO.
1	E46	I.C. TYPE 7496	1910363	41
1	E47	I.C. TYPE 7485	1910224	40
9	E15, E18 THRU E22, E24, E37, E41	I.C. TYPE 7474	1905547	39
1	E28	I.C. TYPE 74H52	1909061	38
1	E10	I.C. TYPE 74H10	1909057	37
2	E34, E39	I.C. TYPE 7410	1905576	36
2	E16, E32	I.C. TYPE 7408	1910155	35
5	E42, E51 THRU E54	I.C. TYPE 380	1909485	34
2	E11, E7	I.C. TYPE 74ND4	1909931	33
3	E9, E35, E36	I.C. TYPE 7404	1909686	32
6	E13, E23, E26, E28, E30, E40	I.C. TYPE 7402	1909004	31
8	E8, E12, E17, E25, E27, E33, E45	I.C. TYPE 7400	1905575	30
6	E1 THRU E6	I.C. TYPE 74161	1910650	29
4	E44, E48 THRU E50	I.C. TYPE 75452	1910645	28
1	CR1	CRYSTAL, 2.88 MHZ	1810694-3	27
2	R1, R12	POTENTIOMETER, 10K, 10%, 3/4W, 76A0	1309143-10	26
1	R19	RESISTOR, 243K, 1%, 1/4W, MF	1309418	25
6	R6, R3, R6, R7, E18, R55	RESISTOR, 100Ω, 5%, 1/4W, CC	1300229	24
1	R13	RESISTOR, 20K, 5%, 1/4W, CC	1302391	23
3	R5, R15, R17	RESISTOR, 10K, 5%, 1/4W, CC	1300479	22
1	R2	RESISTOR, 56K, 5%, 1/4W, CC	1301874	21
1	R44	RESISTOR, 3K, 5%, 1/4W, CC	1300432	20
4	R8, R9, R26, R43	RESISTOR, 1K, 5%, 1/4W, CC	1300365	19
2	R14, R16	RESISTOR, 470Ω, 5%, 1/4W, CC	1300316	18
17	R11, R20, R23, R25, R27, R30, R31, R34, R35, R37, R38, R41, R45, R47, R48, R51, R53	RESISTOR, 370Ω, 5%, 1/4W, CC	1300309	17
17	R10, R21, R22, R24, R28, R29, R32, R33, R36, R38, R40, R42, R46, R48, R50, R52, R54	RESISTOR, 180Ω, 5%, 1/4W, CC	1301322	16
1	D3	DIODE D664	1100114	15
2	C33, C36	CAPACITOR, 0.22µF, 100V, 5% NYLON	1002323	14
3	C37, C38, C26	CAPACITOR, 4700PF, 100V, 1%, NYLON	1009312	13
1	C31	CAPACITOR, 100PF, 100V, 5%, DM	1000006	12
1	C32	CAPACITOR, 500PF, 100V, 5%, DM	1000027	11
2	C34, C39	CAPACITOR, 500PF, 100V, 5%, DM	1000025	10
1	C35	CAPACITOR, 330PF, 100V, 5%, DM	1000023	9
1	C30	CAPACITOR, 100PF, 100V, 5%, DM	1000020	8
3	C27 THRU C29	CAPACITOR, 6.8µF, 35V, 20%, TANT	1000067	7
25	C1 THRU C25	CAPACITOR, 0.1µF, 100V, 20%, DISC	1001610	6
3	TP1 THRU TP3	SPLIT LUG	9006735	5
1		ETCHED CIRCUIT BOARD	5010066	4
		MODULE ECD HISTORY	B-MH-M7106-0-1	3
		ASSY DRILLING HOLE LAYOUT	D-MH-M7106-0-5	2
		X-Y COORDINATE HOLE LOCATION	K-00-M7106-0-4	1

REV	DATE	DESCRIPTION
DEC 380	1	8
DEC 7485	8	16
DEC 7496	5	12
DEC 74155	8	16
DEC 74161	8	16
IC TYPE	GND	+5V

GND AND 5V ARE USUALLY PIN 7 AND 14 RESPECTIVELY. EXCEPTIONS ARE STATED ABOVE.

IC PIN LOCATIONS

DEC FORM NO. DRD 135A

REV	DATE	DESCRIPTION
REV 1	12/17/72	INITIAL
REV 2	12/17/72	CHANGED
REV 3	12/17/72	CHANGED
REV 4	12/17/72	CHANGED
REV 5	12/17/72	CHANGED
REV 6	12/17/72	CHANGED
REV 7	12/17/72	CHANGED
REV 8	12/17/72	CHANGED
REV 9	12/17/72	CHANGED
REV 10	12/17/72	CHANGED

DEC NO.	EIA NO.	DEC NO.	EIA NO.
DEC 380	74155	DEC 7485	74155
DEC 7496	74155	DEC 74155	74155
DEC 74161	74155	DEC 74161	74155

SEMICONDUCTOR CONVERSION CHART

digital EQUIPMENT CORPORATION
MAYNARD, MASSACHUSETTS

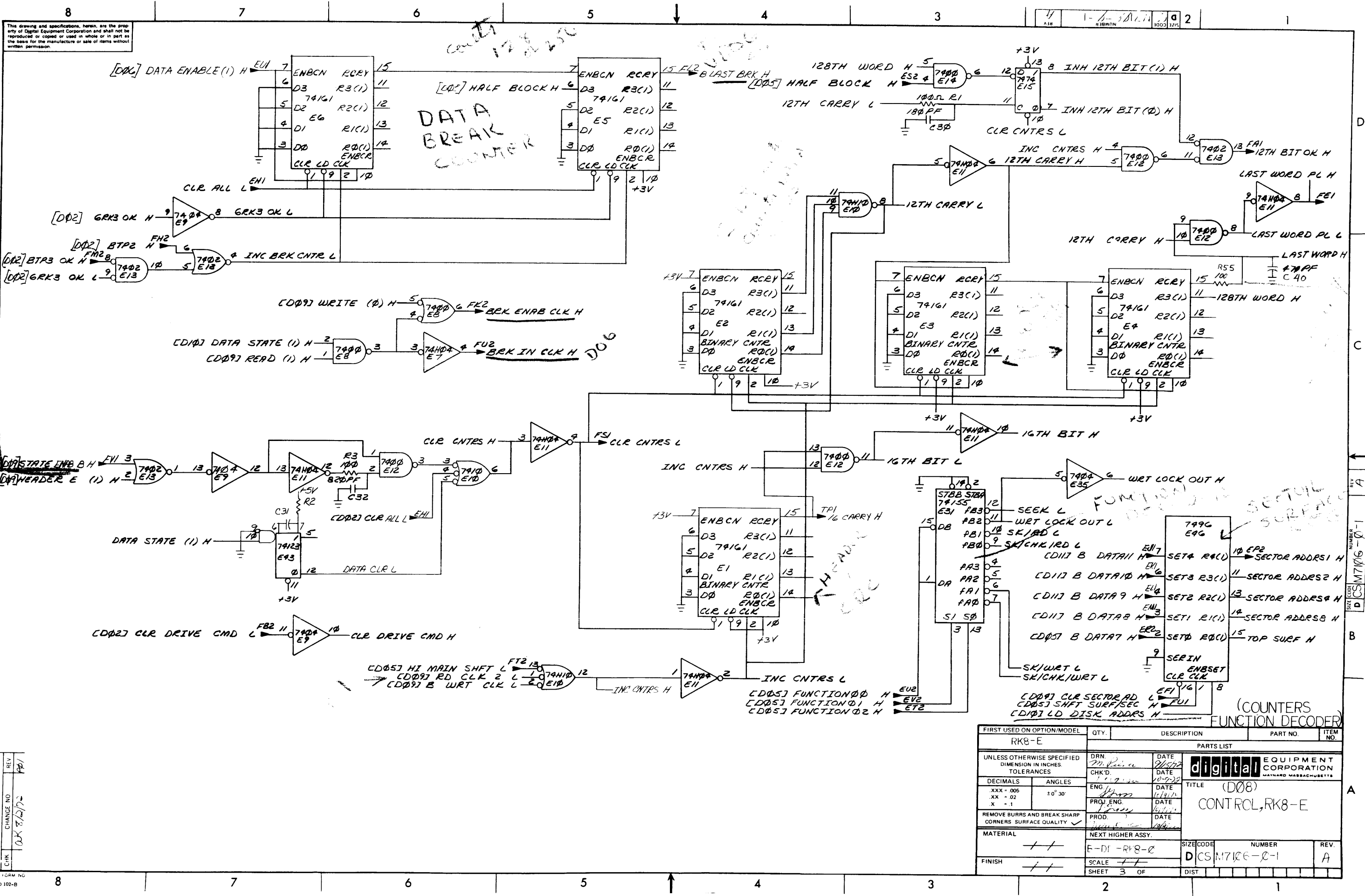
TITLE: CONTROL, RK8-E

SIZE CODE: D CS M7106-0-1

NUMBER: 1

REV: 4

This drawing and specifications, herein, are the property of Digital Equipment Corporation and shall not be reproduced or copied or used in whole or in part as the basis for the manufacture or sale of items without written permission.

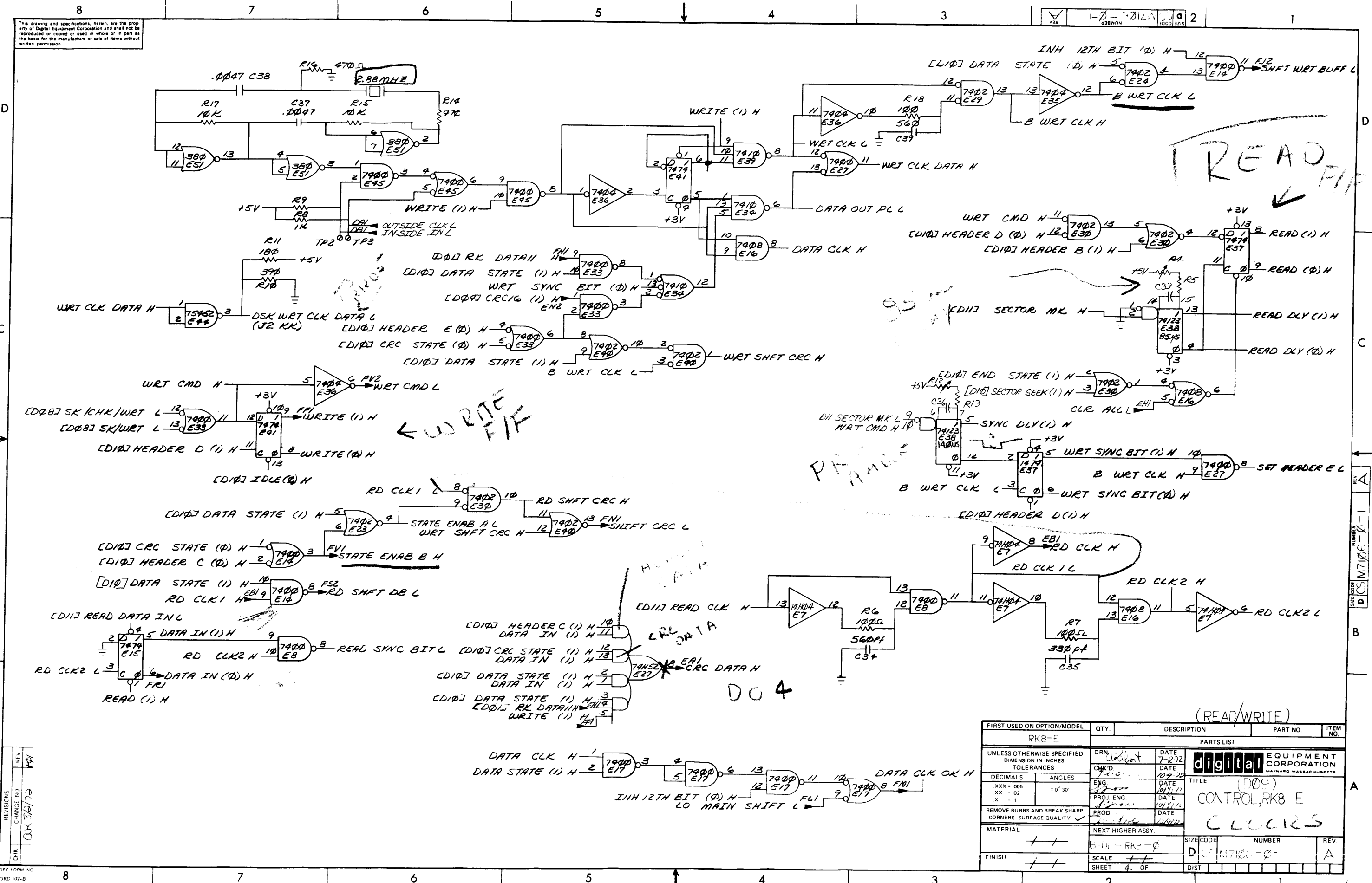


BRUNING 40-322 15840
 REV. FORM NO. DRD 102-B

REV.	CHG.	NO.	DATE
1	OK	3/2/72	

FIRST USED ON OPTION/MODEL	QTY.	DESCRIPTION	PART NO.	ITEM NO.
RK8-E		PARTS LIST		
UNLESS OTHERWISE SPECIFIED DIMENSION IN INCHES TOLERANCES	DRN	DATE	EQUIPMENT CORPORATION MAYNARD MASSACHUSETTS	
DECIMALS .xxx = .005	CHK'D	DATE	TITLE (D08) CONTROL, RK8-E	
ANGLES ±0° 30'	ENG	DATE	SIZE CODE NUMBER REV. D CS M7106-0-1 A	
REMOVE BURRS AND BREAK SHARP CORNERS SURFACE QUALITY	PROJ. ENG.	DATE	SCALE SHEET 3 OF	
MATERIAL	PROD.	DATE	NEXT HIGHER ASSY.	
FINISH			E-DF-RK8-0	

This drawing and specifications herein are the property of Digital Equipment Corporation and shall not be reproduced or copied or used in whole or in part as the basis for the manufacture or sale of items without written permission.



FIRST USED ON OPTION/MODEL	QTY.	DESCRIPTION	PART NO.	ITEM NO.
RK8-E				
PARTS LIST				
UNLESS OTHERWISE SPECIFIED DIMENSION IN INCHES. TOLERANCES	DRN	DATE	DIGITAL EQUIPMENT CORPORATION MAYNARD, MASSACHUSETTS	
DECIMALS	CHK'D	DATE	TITLE (D09) CONTROL, RK8-E CLCKRS	
ANGLES	ENG	DATE		
XXX = 005	PROJ. ENG.	DATE		
XX = 02	PROD.	DATE		
X = 1				
REMOVE BURRS AND BREAK SHARP CORNERS. SURFACE QUALITY				
MATERIAL		NEXT HIGHER ASSY.	SIZE CODE	NUMBER
FINISH		B-11 - Rk8-0	D	COMTRC-0-1
		SCALE		REV
		SHEET 4 OF		A

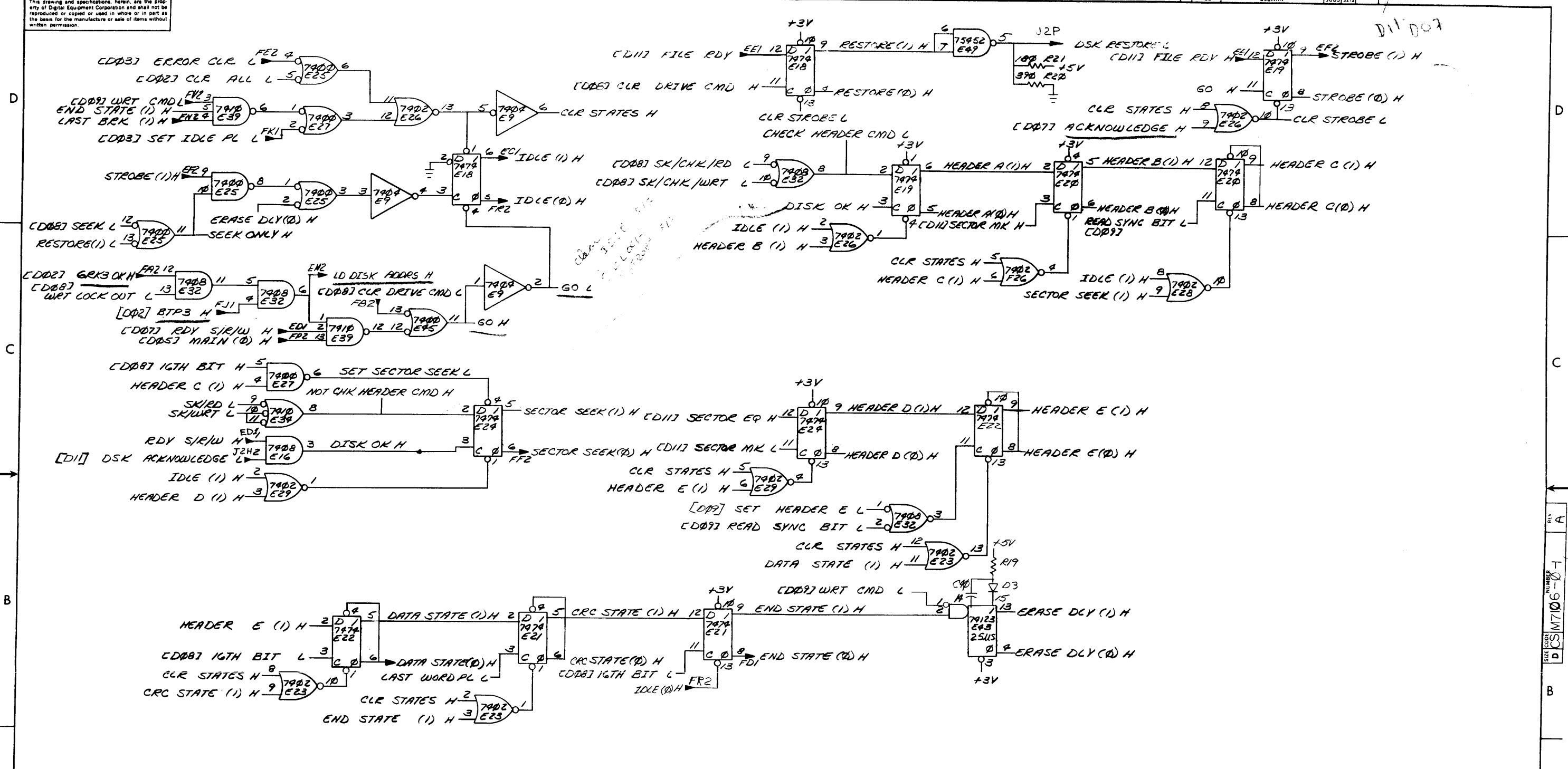
BRUJING 40-522 15840	REV	10/27/72
REVISIONS	CHANGE NO.	REV
CHK	10/27/72	10/27/72

REV A
SIZE CODE
D CS M710 F-0-1

This drawing and specifications, herein, are the property of Digital Equipment Corporation and shall not be reproduced or copied or used in whole or in part as the basis for the manufacture or sale of items without written permission.

1-0-9012W S2 2

D11007



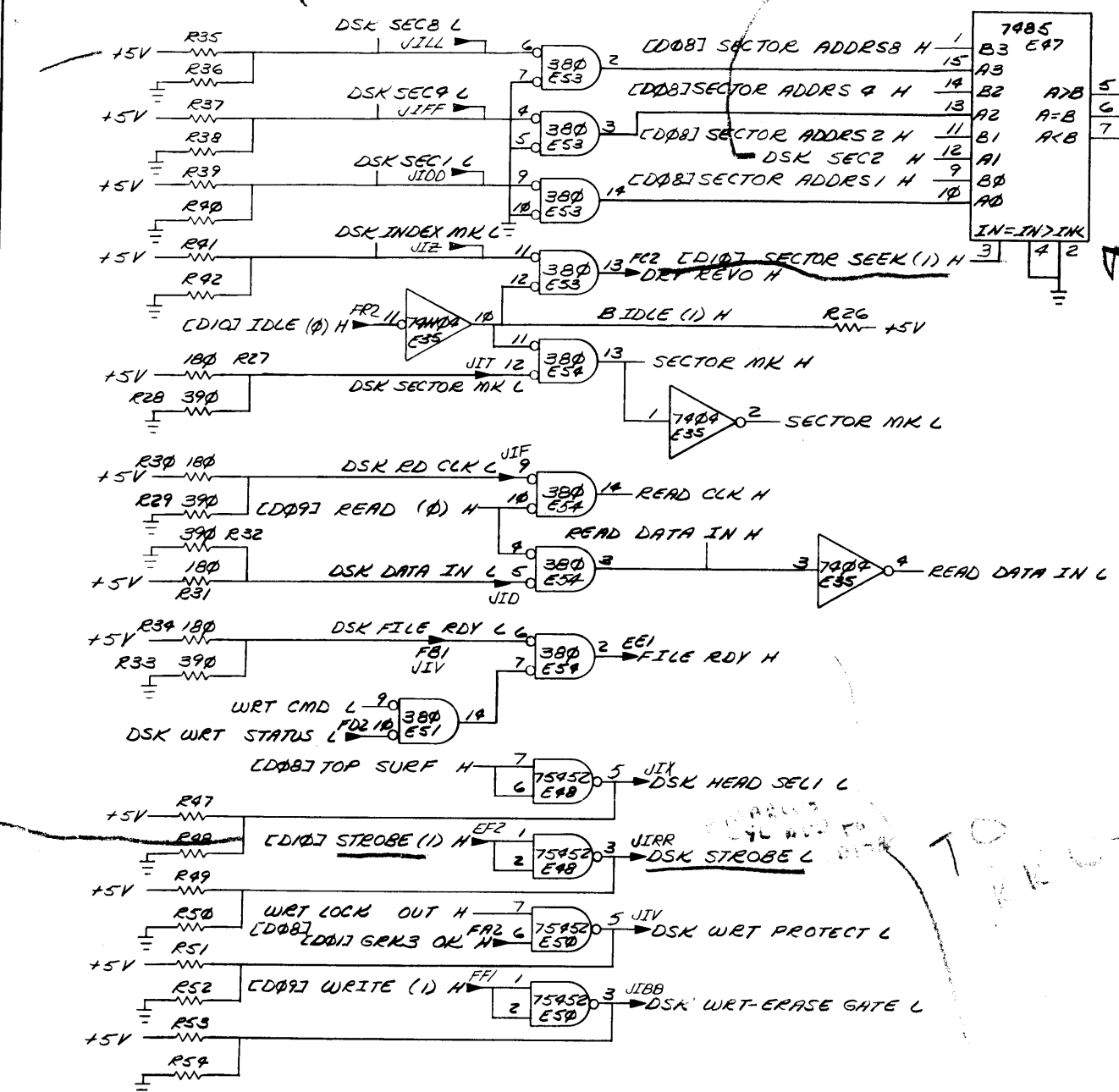
REV	CHANGE NO	DATE

(MAJOR STATES)

FIRST USED ON OPTION/MODEL	QTY.	DESCRIPTION	PART NO.	ITEM NO.
RK8-E				
PARTS LIST				
UNLESS OTHERWISE SPECIFIED DIMENSION IN INCHES. TOLERANCES	DRN <i>ax</i>	DATE 7-11-72	digital EQUIPMENT CORPORATION MAYNARD MASSACHUSETTS TITLE (D10) CONTROL, RK8-E	
DECIMALS .005	CHK'D <i>Bergman</i>	DATE 10-9-72		
ANGLES ±0° 30'	ENG <i>W</i>	DATE 11-11-72		
XXX - .005 XX - .02 X - .1	PROJ. ENG. <i>W</i>	DATE 11-11-72		
REMOVE BURRS AND BREAK SHARP CORNERS SURFACE QUALITY	PROD. <i>W</i>	DATE 11-11-72	MATERIAL NEXT HIGHER ASSY. B-DC - RK8-E SCALE SHEET 5 OF	
FINISH			SIZE CODE DCS M7106-0-1	NUMBER REV. A

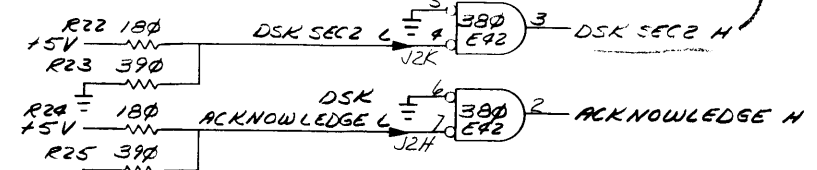
BRUNING 40-522 15840
DEC FORM NO
DRD 102-B

This drawing and specifications, herein, are the property of Digital Equipment Corporation and shall not be reproduced or copied or used in whole or in part as the basis for the manufacture or sale of items without written permission.



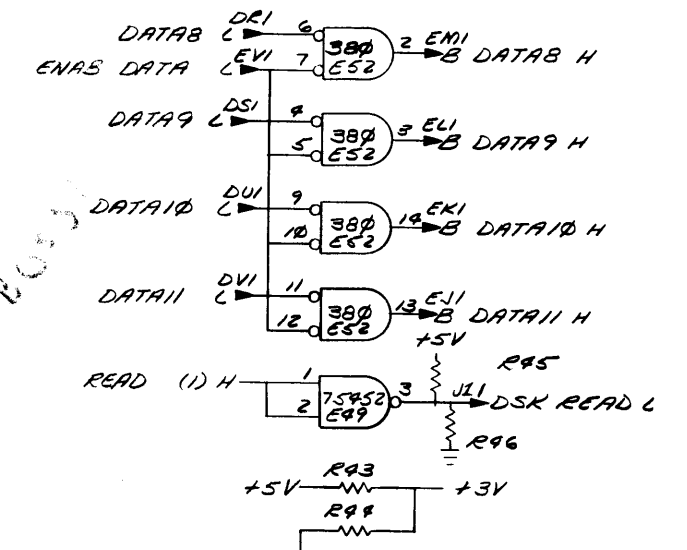
SECTOR EQUAL REG

TO RKS



FROM CPO

DATA BUS



J2

UU	DSK CYL ADB L	ET1
SS	DSK CYL AD2 L	ER2
PP	DSK CYL AD6 L	EB2
MM	DSK CYL AD16 L	EC2
KK	DSK WRT CLK DATA L	E4A-3
JH	DSK CYL AD128 L	EE2
EE	DSK RDY SIR/W L	EL2
CC	DSK CYL AD 32 L	EJ2
AA	DSK DRIVE 0 L	ED2
Y	DSK CYL AD1 L	ES1
W	DSK DRIVE 1 L	ER1
U	DSK CYL AD4 L	EN2
S	DSK DRIVE 2 L	EP1
P	DSK RESTORE L	E4A-5
M	DSK DRIVE 3 L	EN1
K	DSK SEC 2 L	E42-4
H	DSK ACKNOWLEDGE L	E42-7
E	DSK SEEK FAIL L	EA2
C	DSK CAPACITY EX L	FC1

J1

D	DSK DATA IN L	ES4-5
F	DSK RD CLK L	E54-9
V	DSK WRT PROTECT L	E50-5
L	DSK READ L	E49-3
R	DSK WRT STATUS L	F02
T	DSK SECTOR MK L	E54-12
X	DSK FILE RDY L	E54-6
B	DSK HEAD SEL 1 L	E48-5
BB	DSK INDEX MK L	E53-11
DD	DSK SEC 1 L	E50-3
FF	DSK SEC 4 L	E53-9
LL	DSK SEC 8 L	E53-4
RR	DSK STROBE L	E48-3

(DRIVE SIGNALS CABLE J2 DRIVERS)

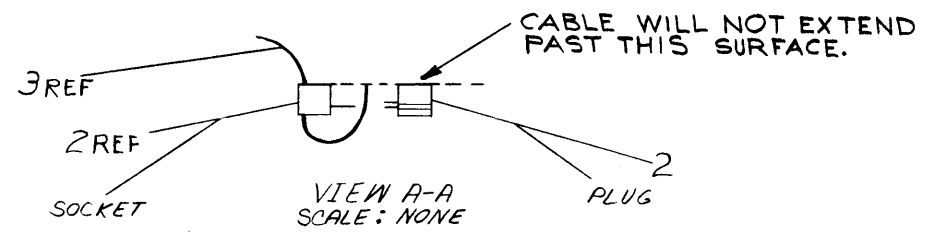
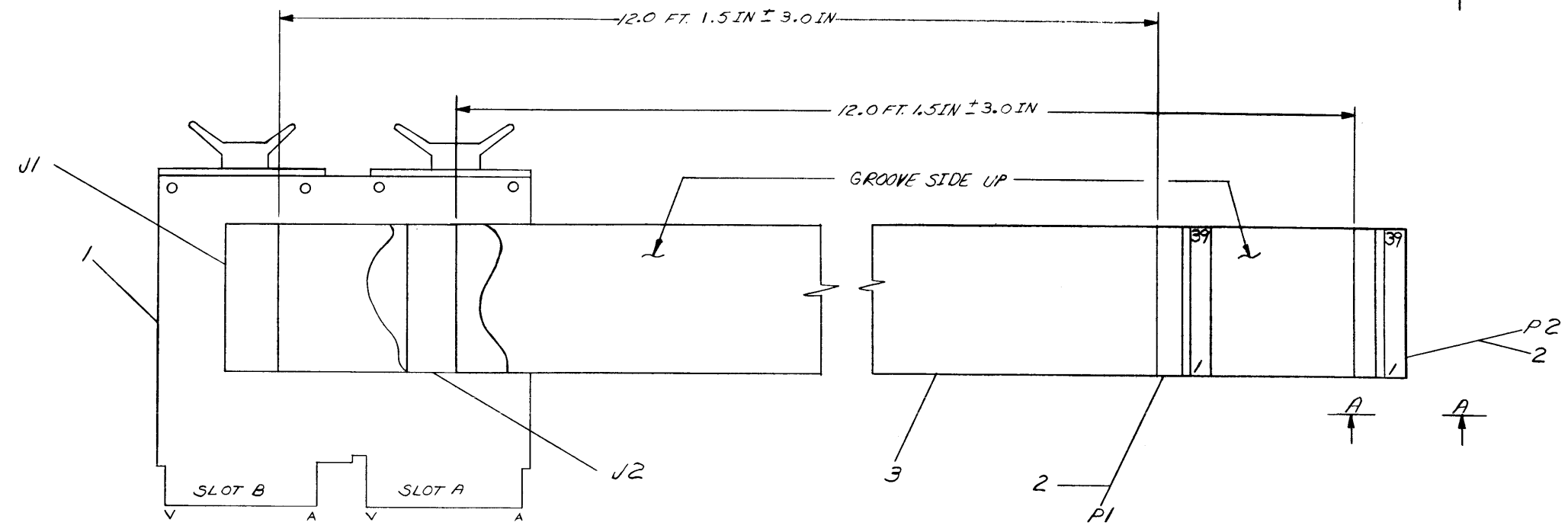
FIRST USED ON OPTION/MODEL	QTY.	DESCRIPTION	PART NO.	ITEM NO.
RK8-E				
UNLESS OTHERWISE SPECIFIED DIMENSION IN INCHES TOLERANCES				
DECIMALS	ANGLES	DATE 7-14-76		
XXX - 005	±0°30'	CHK'D	DATE	
XX - 02		ENG	DATE	
X - 1		PROJ. ENG.	DATE	
REMOVE BURRS AND BREAK SHARP CORNERS SURFACE QUALITY				
NEXT HIGHER ASSY.				
MATERIAL	B-11L-RK8-R		SIZE CODE	NUMBER
FINISH	+ +		DCS M7106-0-1	REV
SHEET 6 OF			DIST	

BRUING 40-52 15840
 DEC 1 0 00M NO
 ORD 102-B

REV A
 DCS M7106-0-1

This drawing and specifications, herein, are the property of Digital Equipment Corporation and shall not be reproduced or copied or used in whole or in part as the basis for the manufacture or sale of items without written permission.

NOTES:
 1. CABLE TO BE WIRED WITH GROOVE SIDE UP.
 2. WHEN ATTACHING CONN (ITEM #2) TO CABLE (ITEM #3) USE SCOTCHFLEX LOCATOR PLATE # 3443-2A AND SCOTCHFLEX ASSY. PRESS # 344-5 FROM 3M COMPANY.
 3. TAPE CABLE EVERY 1.5 FEET.



QTY.	DESCRIPTION	PART NO.	ITEM NO.
A/R	TAPE, ELECTRICAL WHT	9008880	4
2	CABLE 40 CONDUCTOR 30 ANG	910777-01	3
2	SCOTCHFLEX CONN #3417-33M	12/1206	2
1	RK8-E CONTROL CABLE MOD-C5-MR33-A-1		1

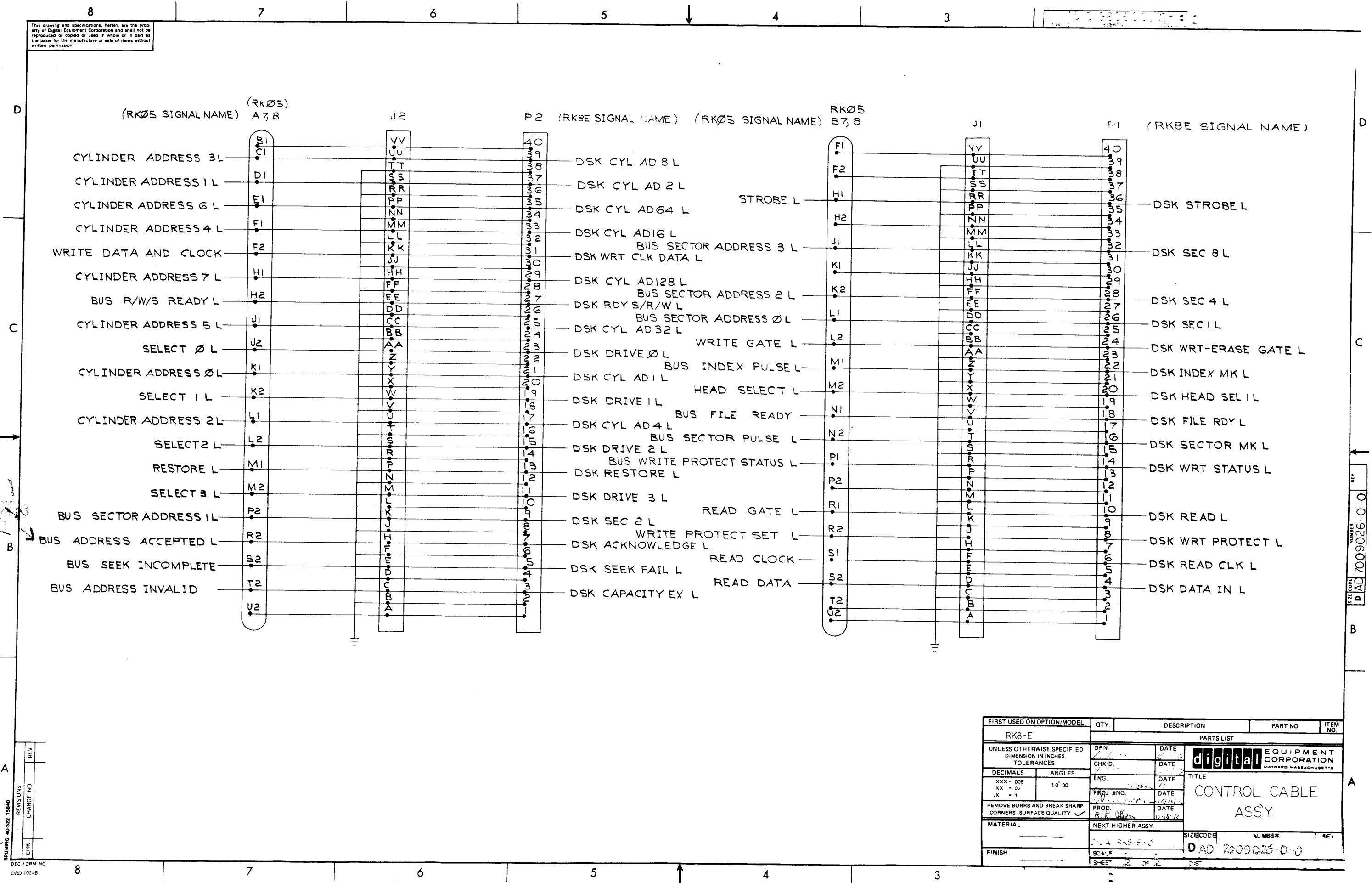
FIRST USED ON OPTION/MODEL		PARTS LIST	
RK8-E		digital EQUIPMENT CORPORATION MAYNARD MASSACHUSETTS	
UNLESS OTHERWISE SPECIFIED DIMENSION IN INCHES TOLERANCES	DRN M. R. ... DATE 8/17/72	CHK'D ... DATE ...	TITLE CONTROL CABLE ASSY
DECIMALS .006 .02 .1	ANGLES ±0° 30'	ENG. C ... DATE ...	SIZE CODE D AD 7009026 -0-C
REMOVE BURRS AND BREAK SHARP CORNERS SURFACE QUALITY	PROD. R. K. ... DATE 10-13-72	PROJ. ENG. ... DATE ...	NUMBER 7009026 -0-C
MATERIAL / /	NEXT HIGHER ASSY.	FINISH / /	REV. 1
SCALE NONE		SHEET 1 OF 2	

REV	CHANGE NO

BRUNING 40-107 15868
 DEC FORM NO
 DRD 100-A

SIZE CODE
 D AD 7009026 -0-C

This drawing and specifications, herein, are the property of Digital Equipment Corporation and shall not be reproduced or copied or used in whole or in part as the basis for the manufacture or sale of items without written permission.



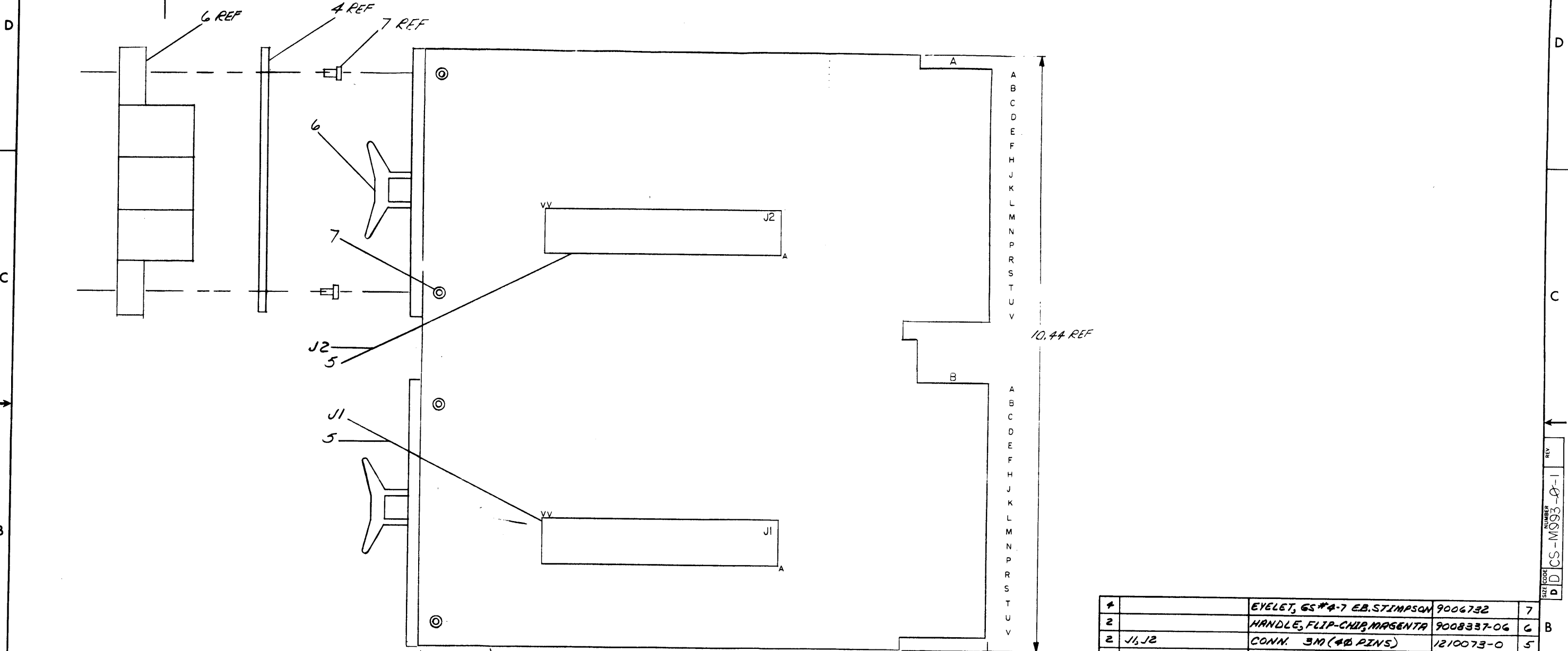
FIRST USED ON OPTION/MODEL RK8-E	QTY.	DESCRIPTION	PART NO.	ITEM NO.
PARTS LIST				
UNLESS OTHERWISE SPECIFIED DIMENSION IN INCHES. TOLERANCES	DRN	DATE	digital EQUIPMENT CORPORATION MAYNARD MASSACHUSETTS	
DECIMALS	CHK'D	DATE	TITLE	
ANGLES	ENG.	DATE	CONTROL CABLE ASSY.	
xxx - 005 xx - 02 x - 1	PRG/ENG.	DATE	SIZE CODE	
REMOVE BURRS AND BREAK SHARP CORNERS SURFACE QUALITY	PROD.	DATE	NUMBER	
MATERIAL	NEXT HIGHER ASSY.		DAD 7009026-0-0	
FINISH	SCALE		REV.	
	SHEET		REV. 00	

BRUNING 40-322 15640
DEC FORM NO
DSD 102-B

REV. 00
NUMBER
DAD 7009026-0-0

This drawing and specifications, herein, are the property of Digital Equipment Corporation and shall not be reproduced or copied or used in whole or in part as the basis for the manufacture or sale of items without written permission.

NOTES:



IC TYPE	GND	+5V

GND AND 5V ARE USUALLY PIN 7 AND 14 RESPECTIVELY. EXCEPTIONS ARE STATED ABOVE.

IC PIN LOCATIONS

QTY	REF DESIGNATION	DESCRIPTION	PART NO.	ITEM NO.
4		EYELET, GS#4-7 EB. STIMPSON	9006732	7
2		HANDLE, FLIP-CHIP, MAGENTA	9008337-06	6
2	J1, J2	CONN. 3M (40 PINS)	1210073-0	5
1		ETCHED CIRCUIT BOARD	5010178	4
REF		MODULE ECO HISTORY	B-MH-10993-0-6	3
REF		ASSY/DRILLING HOLE LAYOUT	D-AH-10993-0-5	2
REF		X-Y COORDINATE HOLE LOCATION	K-CO-10993-0-4	1

FIRST USED ON OPTION MODEL: RK8-E

ETCH BOARD REV: A

DRN	axibnt	DATE	2/14/72
CHK'D		DATE	
ENG		DATE	
PROL. ENG		DATE	
PROD.	R. K. O'Brien	DATE	10-13-72
NEXT HIGHER ASSY: D-AD-7009026-0			

digital EQUIPMENT CORPORATION
MAYNARD, MASSACHUSETTS

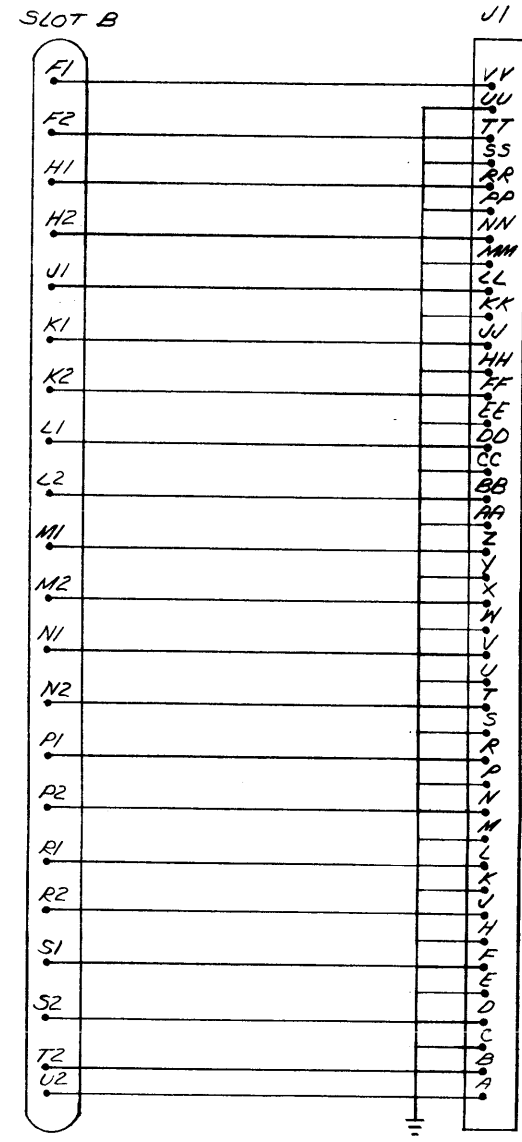
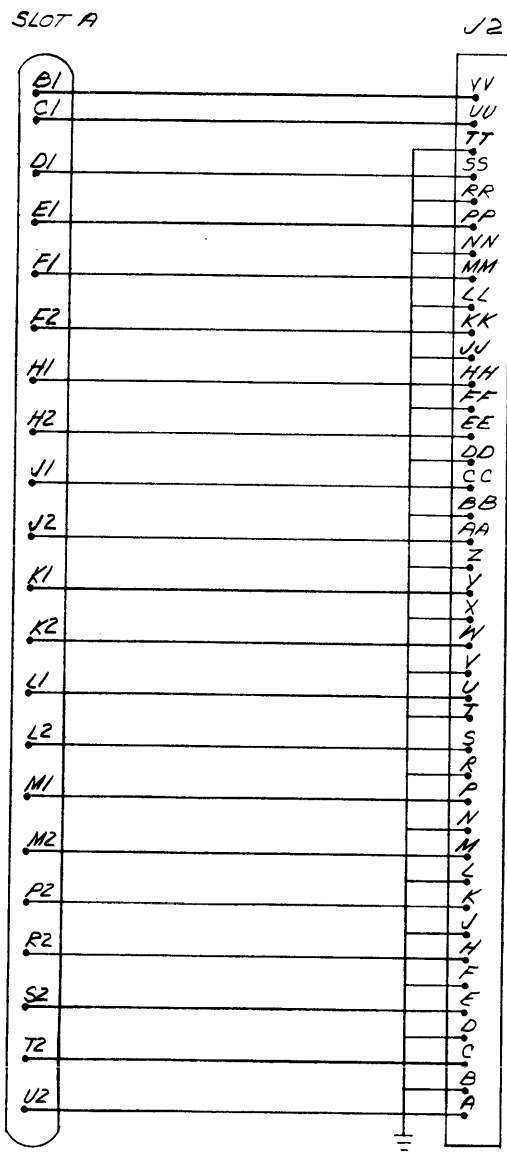
RK8-E CONTROL CABLE MODULE

SCALE: NONE

SHEET 2 OF 3

This drawing and specifications herein are the property of Digital Equipment Corporation and shall not be reproduced or copied or used in whole or in part as the basis for the manufacture or sale of items without written permission.

1-0-866W SC 2
 938WNN 30023215



BRUNING 40-522 15840
 DEC FORM NO DRD 102-B

REV	CHANGE NO

FIRST USED ON OPTION/MODEL	QTY	DESCRIPTION	PART NO.	ITEM NO.
RK8-E				
PARTS LIST				
UNLESS OTHERWISE SPECIFIED DIMENSION IN INCHES TOLERANCES	DRN CHKD	DATE DATE	digital EQUIPMENT CORPORATION MAYNARD MASSACHUSETTS TITLE RK8 CONTROL CABLE MODULE	
DECIMALS ANGLES	ENG	DATE		
XXX = .005 XX = .02 X = .1	PROJ. ENG.	DATE		
REMOVE BURRS AND BREAK SHARP CORNERS SURFACE QUALITY	PROD. RK	DATE 10-13-72		
MATERIAL	NEXT HIGHER ASSY.		SIZE CODE	NUMBER
FINISH	SCALE		DCSM993-0-1	REV.
	SHEET 3 OF 3	DIST		

REV
 NUMBER
 DCSM993-0-1



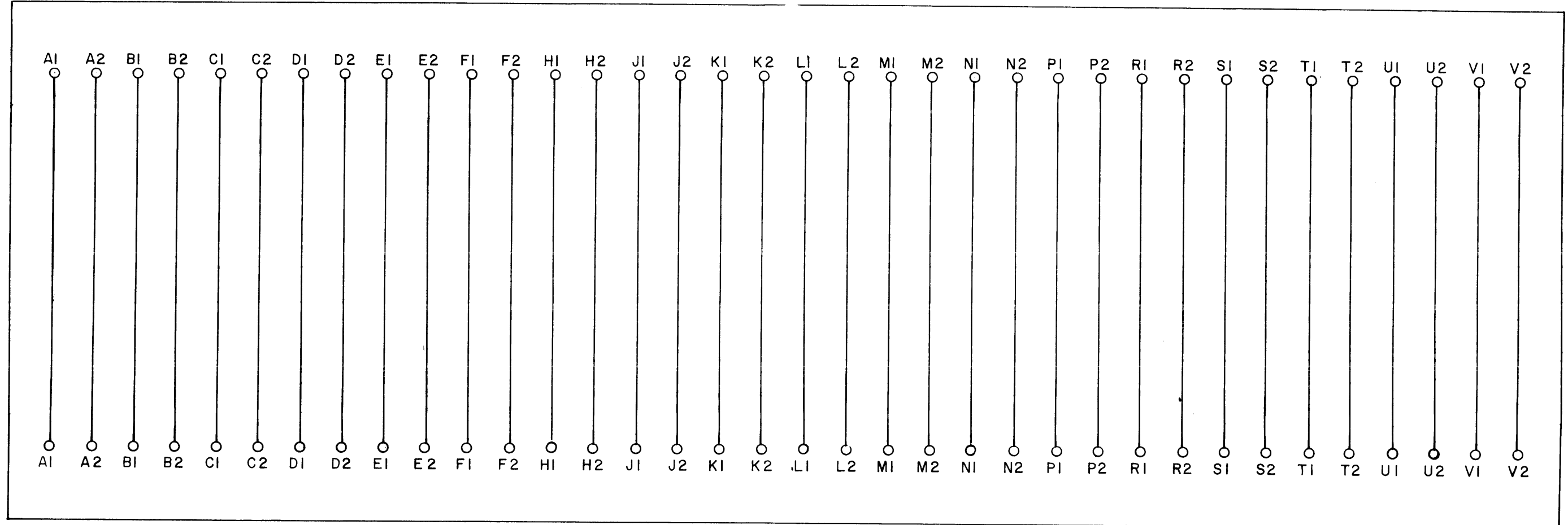
REV. B

NUMBER H851-0-1

SIZE CODE B CS

THIS SCHEMATIC IS FURNISHED ONLY FOR TEST AND MAINTENANCE PURPOSES. THE CIRCUITS ARE PROPRIETARY IN NATURE AND SHOULD BE TREATED ACCORDINGLY. COPYRIGHT 1970 BY DIGITAL EQUIPMENT CORPORATION

SLOT 1



SLOT 2

UNLESS OTHERWISE INDICATED:
CONNECTOR IS A 1210152

REVISIONS
CHK CHG NO. REV.
0000 2 B
B.J. Hilde 8-3-72
P. GARDNER
J.G. 10/2/76

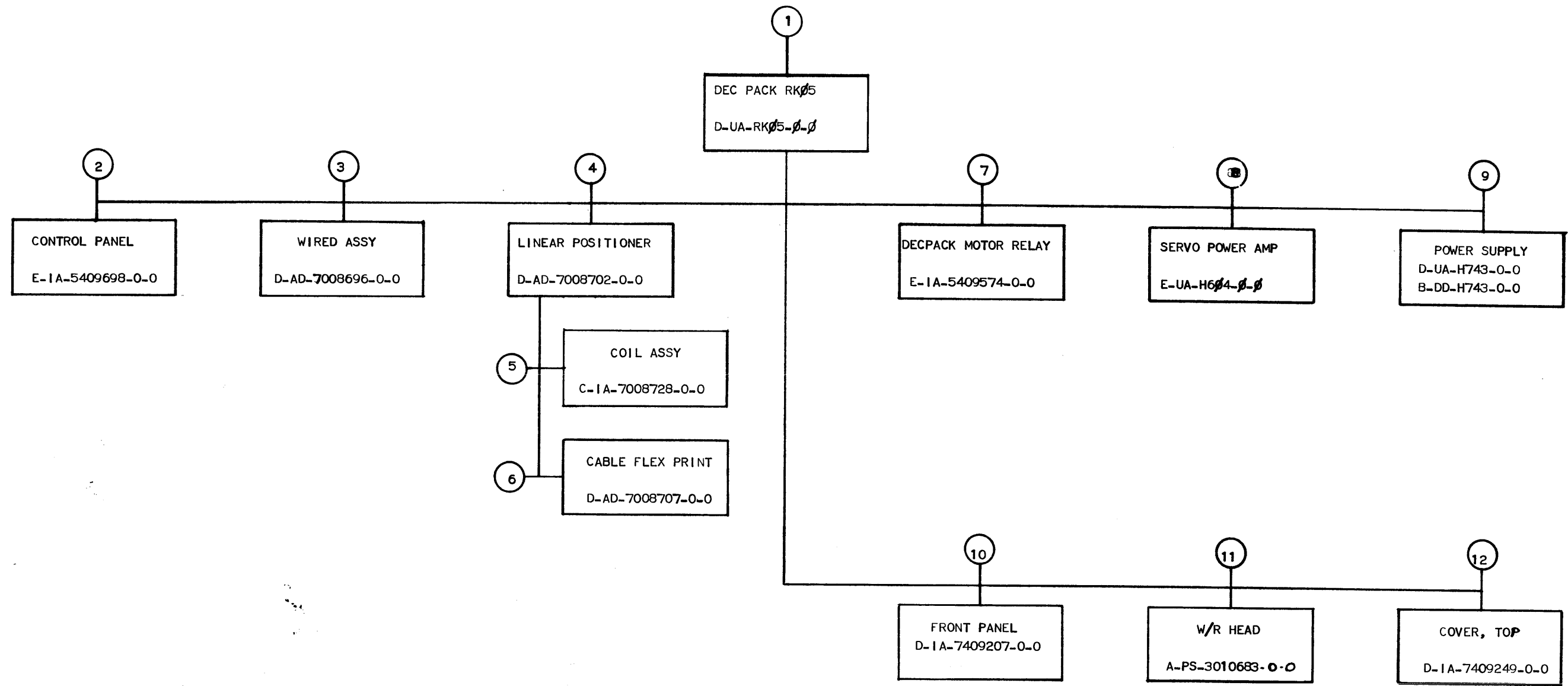
DRN. jeanne french	DATE 7/29/70
CHK'D	DATE 1-29-71
ENG.	DATE 1-29-71
PROD.	DATE

TRANSISTOR & DIODE CONVERSION CHART			
DEC	EIA	DEC	EIA

digital
EQUIPMENT CORPORATION
MAYNARD, MASSACHUSETTS

TITLE		EDGE CONNECTOR	
		H851	
SIZE	CODE	NUMBER	REV.
B	CS	H851-0-1	B
PRINTED CIRCUIT REV.			C





TITLE	DEC PACK ASSY	SHEET 2 OF 5	SIZE CODE	B DD	NUMBER	RK05-0	REV	C
-------	---------------	--------------	-----------	------	--------	--------	-----	---