

DIGITAL EQUIPMENT CORPORATION MAYNARD, MASSACHUSETTS

PARTS LIST

MADE BY ROBICHARD
 DATE 6/5/69
 ENG S. ZNAMIEROWSKI
 DATE 6/10/69
 CHECKED D. HEALEY
 DATE 6/6/69
 PROD R. ANTONUICIO
 DATE 6/12/69
 SECTION 1
 ISSUED SECT. 1

ITEM NO.	DWG NO. / PART NO.	DESCRIPTION	QUANTITY	VARIATION
1	D-MD-5308466-0-0	PANEL, MTG 716 P.S.	1	
2	B-MD-5308465-0-0	BRACKET MTG. TERMINAL	1	
3	1105397	DIODE PACK DM-2	1	
4	1609588	TRANSFORMER #F64-U TRIAD	1	
5	9007919	CONN SOLDERLESS #50906 ARKLESS	20	
6	9007234	BUSHING JUNC TERM ORN #DC-202-1 HEYMAN	3	
7	9007237	BUSHING JUNC TERM BLK, #DC-202-1 HEYMAN	3	
8	9007232	BUSHING JUNC TERM BLU, #DC-202-1 HEYMAN	4	
9	9007235	BUSHING JUNC TERM WHT, #DC-202-1 HEYMAN	7	
10	9007231	BUSHING JUNC TERM RED, #DC-202-1 HEYMAN	3	
11	9007238	TERM TAB T-202-S HEYMAN	20	
12	9006022-1	SCR PHL HD PAN #6-32 x 3/8 LG SST	9	
13	9007794-1	SCR PHL HD PAN #6-32 x 11/16 LG SST	2	
14	9006633	WASH INT TOOTH LOCK #6 SST	8	
15	9006071-1	SCR PHL HD PAN #10-32 x 3/8 LG SST	4	
16	9006635	WASH INT TOOTH LOCK #10 SST	4	
17	9007031	TIE WRAP SST-LB PANDUIT	4	
18	9107560-1	WIRE BUSSING #22 AWG	2	
19	9107305-02	TUBING, SHRINKABLE, RED 3/16 D x 9/16 LG	2	
20	9107370-99	WIRE, STRANDED #14 TEF INS WHT	2	
21	9107370-66	WIRE, STRANDED #14 TEF INS BLU	2	
22	9107370-33	WIRE, STRANDED #14 TEF INS ORN	2	

TITLE INDICATOR POWER SUPPLY 716
 ASSY NO. D-UA-716-0-0
 SIZE CODE A PL
 NUMBER 716-0-0
 REV. ECO NO. F 00008
 SHEET 1 OF 2
 DIST.

DEC FORM NO. 16-1031
 DRA 110

DIGITAL EQUIPMENT CORPORATION MAYNARD, MASSACHUSETTS

PARTS LIST

MADE BY ROBICHARD
 DATE 6/5/69
 ENG S. ZNAMIEROWSKI
 DATE 6/10/69
 CHECKED D. HEALEY
 DATE 6/6/69
 PROD R. ANTONUICIO
 DATE 6/12/69
 SECTION 1
 ISSUED SECT. 1

ITEM NO.	DWG NO. / PART NO.	DESCRIPTION	QUANTITY	VARIATION
23	9107370-00	WIRE, STRANDED #14 TEF INS BLK	2	
24	A-DC-5308448-0-0	DECAL, 716 POWER SUPPLY	2	
25		THERMAL COMPOUND #340 DOW CORNING	2	
26	1009437	CAP 18000 MFD 10V	1	
27	1300165	RESISTOR 5ohm 25W 5%	1	
28	9006033	SCR PHL PAN HD 6-32 x 2-1/2 SST	1	
29	9009052	CAP MOUNTING BRACKET	1	
30	9006829	SPACER 1/2AFX x 3/8LG #10 HOLE AL	1	
31	9007776	TAB #61349-1 AMP	2	
32	9006674	WASH #916 CORE WARD LEONARD	2	
33	9006996	#4405 FUSE HOLDER	1	
34	9007209	1/2 AMP S.B. FUSE	1	
35	9006859	THREADED STAND OFF 3/4 6-32	2	
36	7404508	FIBER COVER PLATE	1	
37	9006633	A6 INTERNAL LOCK WASHER	2	
38	A-PI-3700120-0-0	PACKAGING INSTRUCTION	1	

TITLE INDICATOR POWER SUPPLY
 ASSY NO. D-UA-716-0-0
 SIZE CODE A PL
 NUMBER 716-0-0
 REV. ECO NO. F
 SHEET 2 OF 2
 DIST.

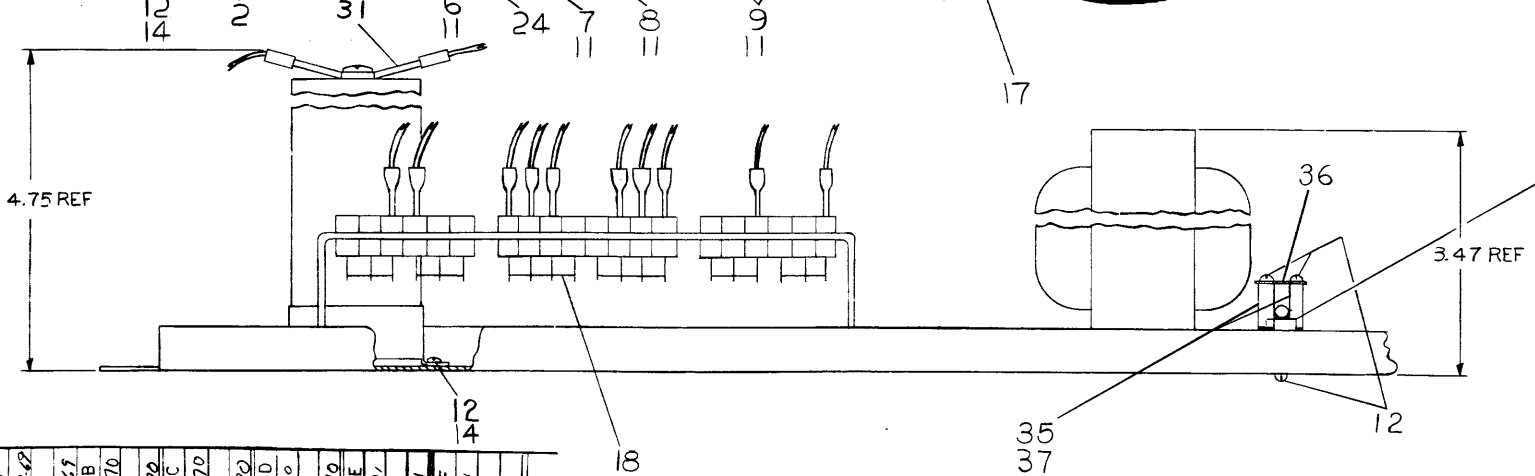
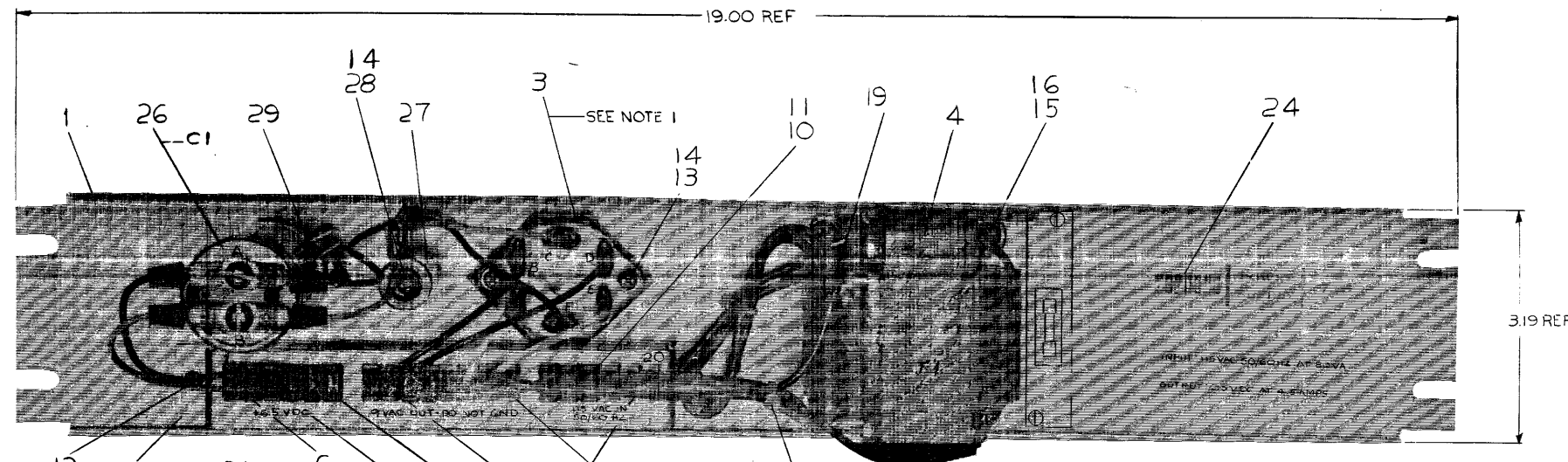
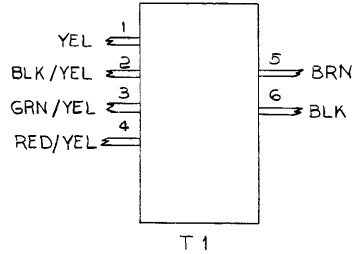
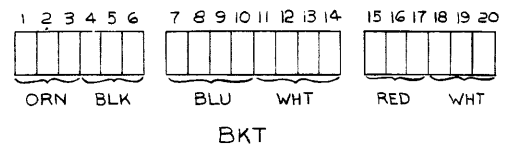
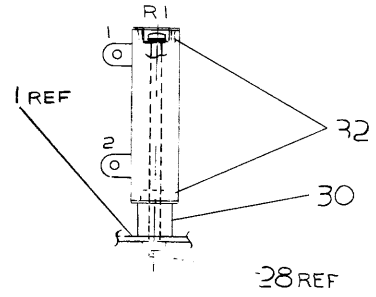
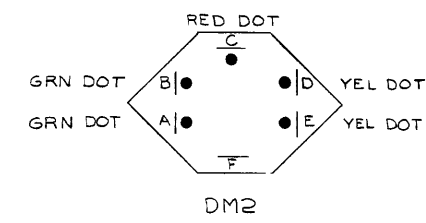
DEC FORM NO. 16-1031

This drawing and specifications, herein, are the property of Digital Equipment Corporation and shall not be reproduced or copied or used in whole or in part as the basis for the manufacture or sale of items without written permission. 1974

WIRE TABLE

ITEM NO	DESCRIPTION	CONNECTIONS		EQUIP FROM WITH ITEMS	EQUIP TO WITH ITEMS	REMARKS
		FROM	TO			
-	YEL	T1-1	BKT-9	-	5	
-	RED/YEL	T1-4	BKT-14	-	5	
-	BRN	T1-5	F1	-	5	SOLDER F1
-	BLK	T1-6	BKT-17	-	5	
20	*14 WHT	DM2-A	BKT-12	5	5	
21	*14 BLU	DM2-B	BKT-7	5	5	
22	*14 ORN	DM2-C	R1-1	5	-	SOLDER R1-1
21	*14 BLU	DM2-D	BKT-8	5	5	
20	*14 WHT	DM2-E	BKT-13	5	5	
23	*14 BLK	DM2-F	R1-2	5	-	SOLDER R1-1
18	*22 -	BKT-1	BKT-3	-	-	1 THRU 3
18	*22 -	BKT-4	BKT-6	-	-	4 THRU 6
18	*22 -	BKT-7	BKT-10	-	-	7 THRU 10
18	*22 -	BKT-11	BKT-14	-	-	11 THRU 14
18	*22 -	BKT-15	BKT-17	-	-	15 THRU 17
18	*22 -	BKT-18	BKT-20	-	-	18 THRU 20
-	GRN/YEL	T1-3	-	-	19	TIE END
-	BLU/YEL	T1-2	-	-	19	TIE END
22	*14 ORN	R1-1	C1-A	-	31	SOLDER R1-1
22	*14 ORN	C1-A	BKT-3	31	5	
23	*14 BLK	R1-2	C1-B	-	31	SOLDER R1-2
23	*14 BLK	C1-B	BKT-4	31	5	
-	*14 BRN	F1	BKT-20	-	5	

NOTES
 1. APPLY THERMAL COMPOUND ITEM #25 #340 DOW CORNING OR EQUIV TO CONTACTING SURFACES OF ITEM #1 & ITEM #3.



TOLERANCES
 DECIMALS
 .XXX = ±.005
 .XX = ±.02
 .X = ±.1

FIRST USED ON OPT/MOD RF09	QTY.	DESCRIPTION	PART NO.	ITEM NO.
PARTS LIST				
UNLESS OTHERWISE SPECIFIED	DRN. ROBICHAUD	DATE 6-5-69	digital EQUIPMENT CORPORATION MAYNARD, MASSACHUSETTS	
UNLESS OTHERWISE SPECIFIED	CHK'D. D. HEALY	DATE 6-10-69	TITLE	
FINAL SURFACE QUALITY REMOVE BURRS AND BREAK SHARP CORNERS	ENG. ZNAMIEROWSKI	DATE 6-10-69	INDICATOR POWER SUPPLY 716	
MATERIAL	PROJ. ENG. D. VONADA	DATE 6-10-69	SIZE CODE	NUMBER
FINISH	PROD. ANTONUCCIO	DATE 6-12-69	D UA 716-0-0	REV. F
	FIRST USED ON D-UA-RF09-0-0	SCALE 1/1	DIST.	
	SHEET 1 OF 1			

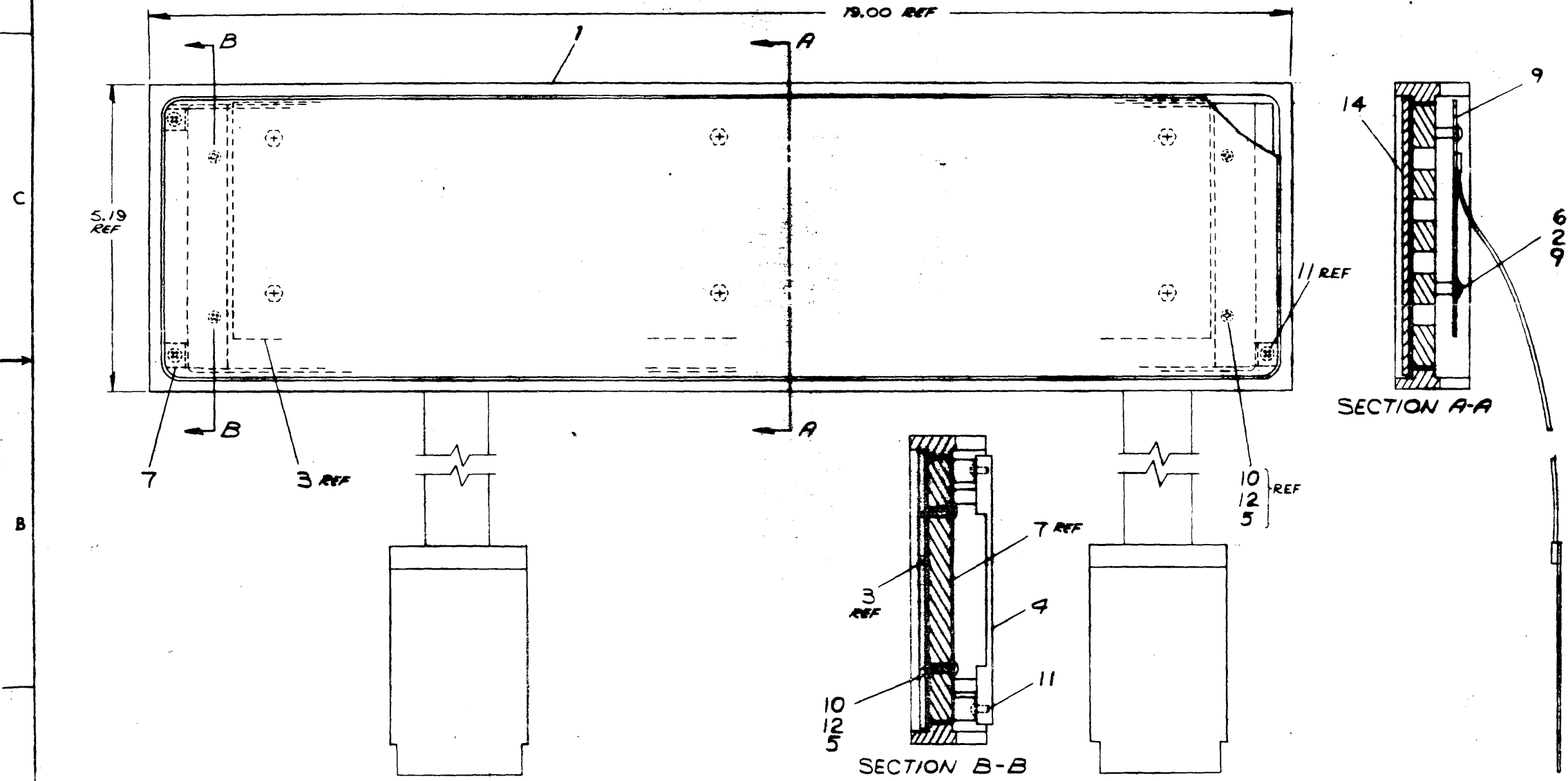
REVISIONS

CHK	CHANGE NO.	REV.
D	716-00001	A
REDRAWN & REVISED		
D	716-00004	B
D. VONADA 11-19-69		
D	716-00005	C
D. VONADA 3-25-70		
D	716-00006	D
D. VONADA 5-1-70		
D	716-00007	E
D. VONADA 9-2-70		
D	716-00008	F
D. VONADA 5-7-74		
D	716-00009	G
D. VONADA 5-16-74		

1972

NUMBER	ASSY NO
7006331-1	D-UP-RF09-0-0
7006331-2	D-UP-V718-0-0
7006331-3	D-UP-V715-0-0
7006331-4	D-UP-RF08-0-0
7006331-5	D-UP-R663-0-0
7006331-6	NOT USED
7006331-7	NOT USED
7006331-8	D-UP-H963-F-0
7006331-9	D-UP-NP02-0-0
7006331-10	D-UP-R663-M-0
7006331-11	D-UP-RP15-0-0
7006331-12	D-UP-RP15-0-0
7006331-13	D-UP-RF11-0-0
7006331-14	D-UP-DX38-0-0
7006331-15	D-UP-BD15-0-0
7006331-16	D-UP-RP11-0-0
7006331-17	D-UP-7603960-0-0
7006331-18	D-UP-DA26-0-0
7006331-19	D-UP-7605907-0-0
7006331-20	NOT USED
7006331-21	D-UP-7605956-0-0
7006331-22	D-UP-7605957-0-0
7006331-23	D-UP-7605955-0-0
7006331-24	D-UP-DA28-0-0
7006331-25	D-UP-DA28-0-0
7006331-26	A-NL-760612-0
7006331-27	D-UP-DX11-B
7006331-28	D-UP-TC10-C
7006331-29	D-UP-DX32-0-0
7006331-30	D-UP-RF10-0-0
7006331-31	D-UP-RF10-0-0
7006331-32	D-UP-RF11-0-0

NOTES:
 1 REMOVE ENERGY DIRECTORS (PLASTIC PROTRUSIONS) FROM BEZEL (ITEM 1) BY SCRAPING WITH PAINT SCRAPER.
 2 SECURE INLAY (ITEM 13) TO BEZEL (ITEM 1) WITH STRUCTURAL ADHESIVE (ITEM 8) USING EQUAL PARTS OF 2216A & 2216B. CARE MUST BE TAKEN NOT TO ALLOW ADHESIVE TO SHOW ON FRONT SIDE OF INDICATOR PANEL.



REV	DATE	BY	CHKD
1	10-30-74	N ROY	E. ALLEN
2	11-15-74	N ROY	J. CHASE
3	12-3-74	N ROY	D. VONADA
4	9-12-74	N ROY	D. VONADA

QTY.	DESCRIPTION	PART NO.	FROM NO.
	PARTS LIST		
	1	INDICATOR PANEL ASSY	
	2	BEZEL	
	3	SCREW	
	4	SCREW	
	5	SCREW	
	6	SCREW	
	7	SCREW	
	8	ADHESIVE	
	9	INLAY	
	10	INLAY	
	11	INLAY	
	12	INLAY	
	13	INLAY	
	14	INLAY	
	15	INLAY	

EQUIPMENT CORPORATION
 TITLE: **INDICATOR PANEL ASSY**
 NUMBER: **DA07006331-0-0**
 SHEET: **1 OF 1**