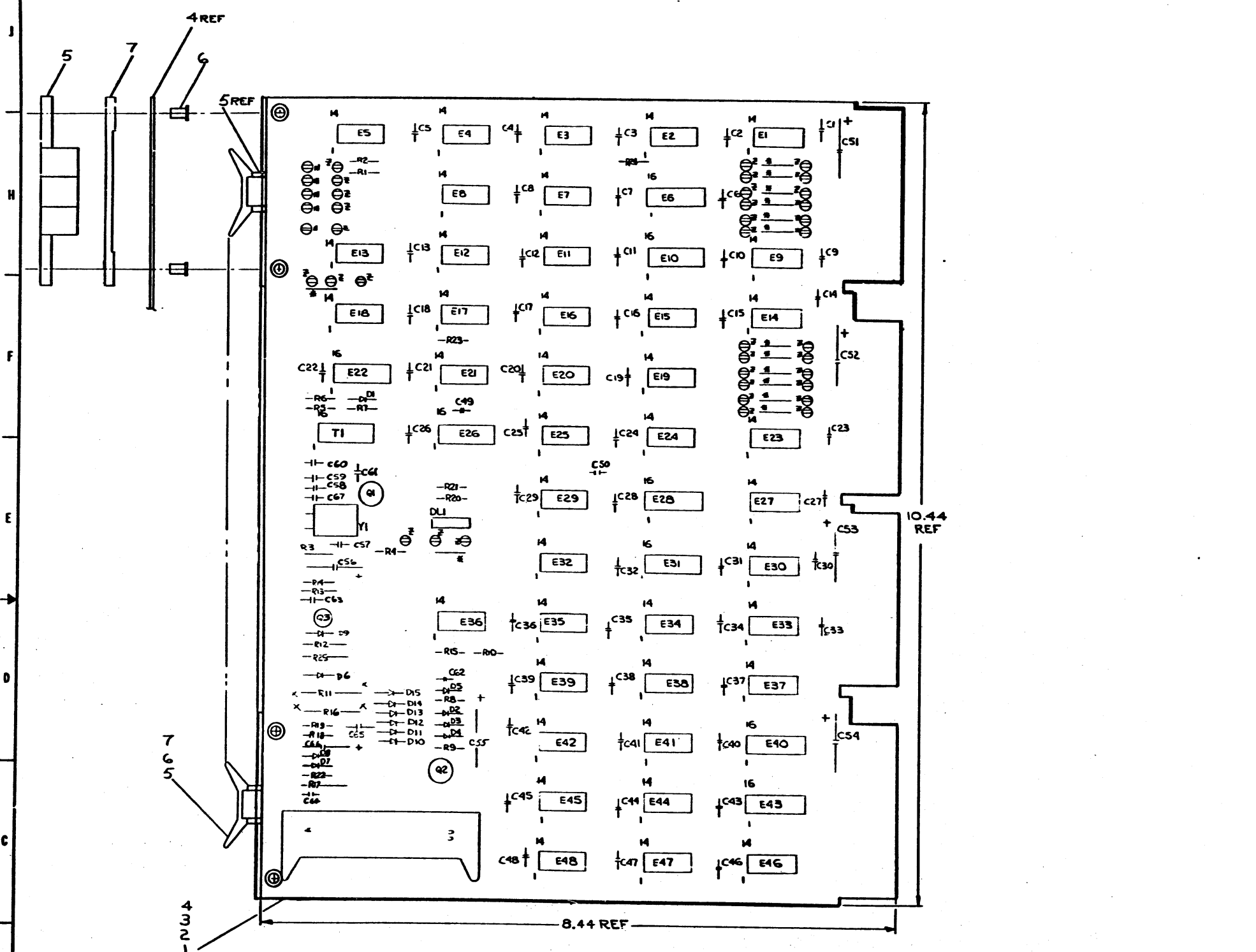
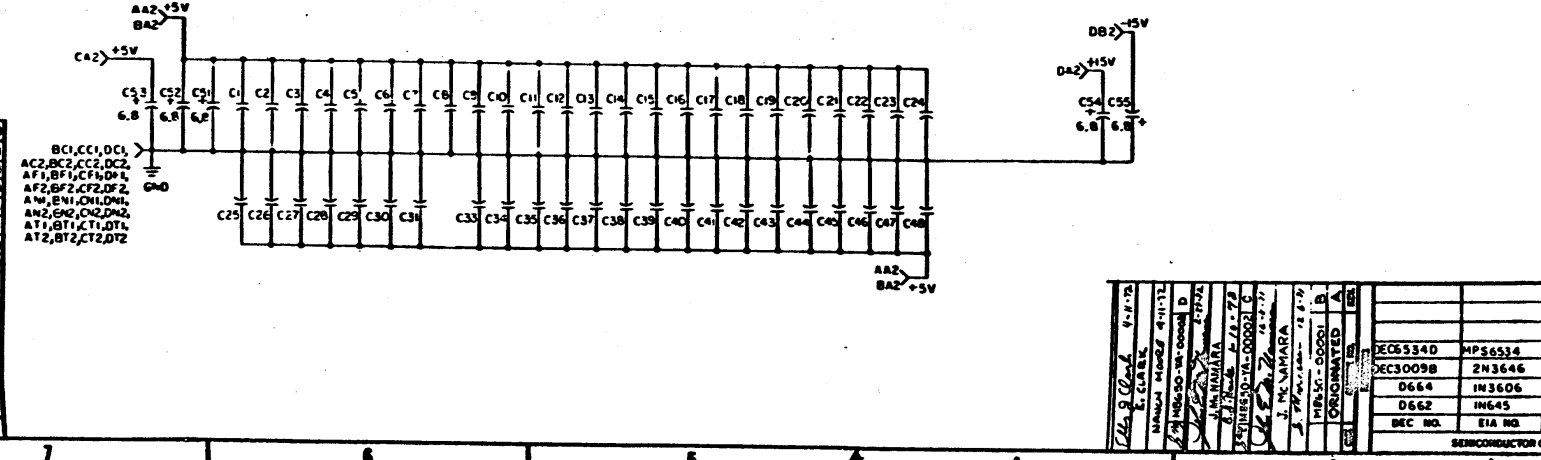




See drawing and specifications for details. Do not use any of the following components unless specifically noted as being acceptable for use in this drawing. Do not use any of the following components unless specifically noted as being acceptable for use in this drawing.



IC PART LOCATIONS	QTY	DESCRIPTION	REF. NO.
DEC MC1488L	7	14-pin	
8251	8	16	
5384	1	8	
74193	8	16	
5314	1	8	
8271	8	16	
7493	10	5	
DEC 5380	1	8	
IC TYPE	QTY	DESCRIPTION	REF. NO.
8251	8	16	
5384	1	8	
74193	8	16	
5314	1	8	
8271	8	16	
7493	10	5	
DEC 5380	1	8	



**NOTES:**

- $\Delta$  : SPLIT LUGS  
 $\Delta$  : MACHINE INSERTED JUMPER  
 $\Delta$  : 40 PIN HEADER CONNECTION
- DATA II DVI - OMNIBUS CONNECTION
- PIN F IS EIA TRANSMITTED DATA:  
 +6V OR MORE = SPACE = 0  
 -6V OR LESS = MARK = 1  
 PIN V IS EIA REQUEST TO SEND, +6V OR MORE = ON (PERMANENTLY).  
 PIN DD IS EIA DATA TERMINAL READY, +6V OR MORE = ON (PERMANENTLY).
- THIS DRAWING FOLLOWS DEC STANDARD 056 LOGIC SYMBOLOLOGY.  
 FLIP-FLOPS ARE NAMED FOR THE CONDITION THEY REPRESENT IN THE '1' STATE.  
 THE FOLLOWING FIGURES APPLY:

IF 'D' SHOWN THUS '1' STATE = Q STATE.  
 IF 'D' SHOWN THUS '1' STATE = Q-bar STATE.  
 IF '1' SHOWN THUS THIS LEAD IS HIGH WHEN FLIP-FLOP IS IN '1' STATE.  
 IF '1' SHOWN THUS THIS LEAD IS LOW WHEN FLIP-FLOP IS IN '1' STATE.

4. WAVEFORM AT TEST POINT #6 FOR RECEPTION OF 'A' (ASC II 30)

5. UNLESS OTHERWISE NOTED:  
 RESISTORS = 1K 1/4W 5%  
 CAPACITORS = .01uF 100V 20%  
 DIODES = D664

QTY	REF DESIGNATION	DESCRIPTION	PART NO.
2	R12, R25	RES. 1.5K 1/2 W 5%	1300394
1	R22	RES. 82 1/4W 5%	1301477
5	E1, E23, E27, E30, E46	I.C. DEC 5380	1910392
4	E2, E15, E33, E37	I.C. DEC 97401	1909373
9	E3, E4, E7, E8, E16, E20, E29, E38, E48	I.C. DEC 7474	1905547
3	E5, E13, E18	I.C. DEC 7493	1909054
5	E6, E10, E26, E28, E31	I.C. DEC 8271	1909613
2	E9, E14	I.C. DEC 5314	1910391
3	E11, E43, E47	I.C. DEC 7402	1909004
3	E12, E41, E44	I.C. DEC 7400	1905575
1	E17	I.C. MC1488L EIA RECEIVER	1910323
1	E19	I.C. DEC 7410	1905576
2	E21, E42	I.C. DEC 7404	1909666
1	E22	I.C. DEC 74193	1910018
1	E24	I.C. DEC 8815	1909713
2	E25, E39	I.C. DEC 7450	1905580
1	E32	I.C. MC1488L EIA DRIVER	1910322
2	E34, E36	I.C. DEC 5384	1910394
2	E40, E43	I.C. DEC 8251	1909394
1	E35	I.C. DEC 7400D	1909056
52	C1-C50, C62, C64	CAP. .01uF 100V 20% DISC	1001010
6	C51-C56	CAP. 6.8uF 55V 20% TANT	1000067
2	C57, C61	CAP. .047uF DISC	1009678
1	C58	CAP. 33PF MICA	1000009
1	C59	CAP. 100PF MICA	1000016
1	C60	CAP. 68PF MICA	1000014
1	C63	CAP. .001uF 250V DISC	1000043
2	C65, C67	CAP. 10uF 100V 5% MICA	1000006
1	C66	CAP. .47uF 35V TANT	1005965
1	D1	DIODE, D662	1100113
14	D2-D15	DIODE, D664	1100114
3	R1, R4, R20	RES. 220 1/4W 5%	1300271
1	R2	RES. 750 1/4W 5%	1301401
2	R3, R19	RES. 10K 1/4W 5%	1300479
2	R5, R18	RES. 3.3K 1/4W 5%	1300439
4	R6, R13, R24	RES. 470 1/4W 5%	1300316
1	R8	RES. 150 1/4W 5%	1300280
2	R10, R15	RES. 1K 1/4W 5%	1300365
2	R11, R16	RES. 750 1W 5%	1302385
1	R14	RES. 1.5K 1/4W 5%	1300391
1	R21	RES. 330 1/4W 5%	1300293
1	R23	RES. 30K 1/4W 5%	1302394
1	R9	RES. 180 1/4W 5%	1301322
1	R17	RES. 560 1/2W 5%	1300338
1	Q1	TRANSISTOR, DEC 3009B	1503100
2	Q2, Q3	TRANSISTOR, DEC 6534D	1503409
1	TI	XFMR B010	1609651
1	DL1	DELAY LINE 30 NANO SEC	1605528
1	Y1	CRYSTAL 14.661 MHE	1809880-02
40	LUGS 5-PIN		9006735
1	CONNECTOR 40 PIN		1209541
1/4	WIRE #22AWG SOLID BUS		9107561-01
4	SPACER (CABLE CLAMP)		1302704
5	EYELET G54-II STIMPSON		9006750
4	HANDLE FLIP CHIP-MAGENTA		9008332-06
1	ETCHED CIRCUIT BOARD		9002544
1	MODULE HISTORY LIST		8-MH-M8650-1
REF	ASSY/DRILLING HOLE LAYOUT		D-MH-M8650-1
REF	X-Y COORDINATE HOLE LOC.		X-CO-M8650-1

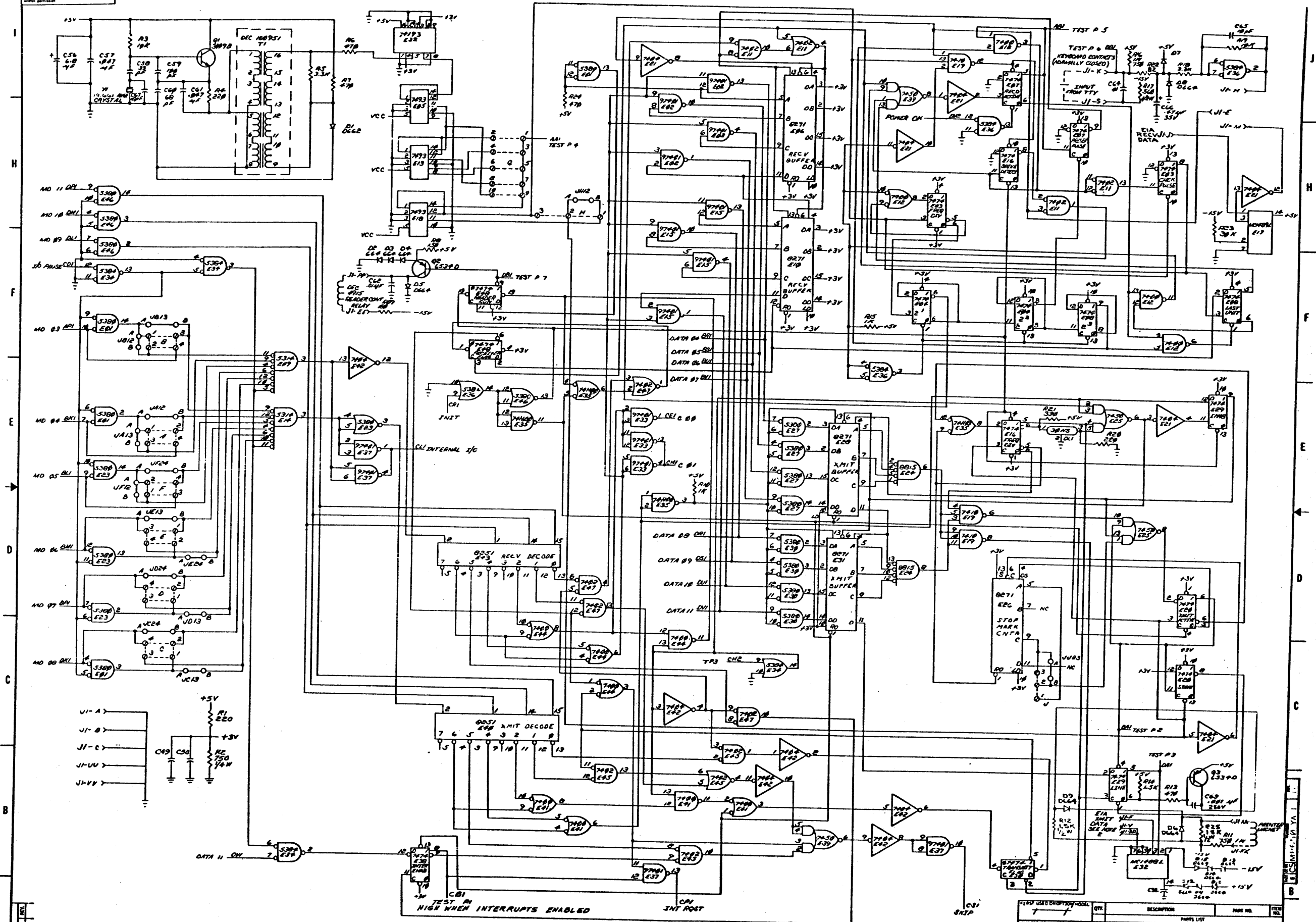
ETCH BOARD REV	DATE	BY	DESCRIPTION
D			

QTY	REF DESIGNATION	DESCRIPTION	PART NO.
1	DEC5340	MPS6534	
1	DEC3009B	243646	
1	D664	1N3606	
1	D662	1N645	

SEMICONDUCTOR CONVERSION CHART	QTY	REF DESIGNATION	DESCRIPTION	PART NO.
	1	A-ML-R18-E		
	1	2/1		

EQUIPMENT CORPORATION	MODEL	REV
ASYNCHRONOUS DATA CONTROL	ECS M8650-YA-1	D

This drawing and specifications represent the work of the Design Engineering Department and shall not be reproduced in whole or in part without the approval of the Design Engineering Department.



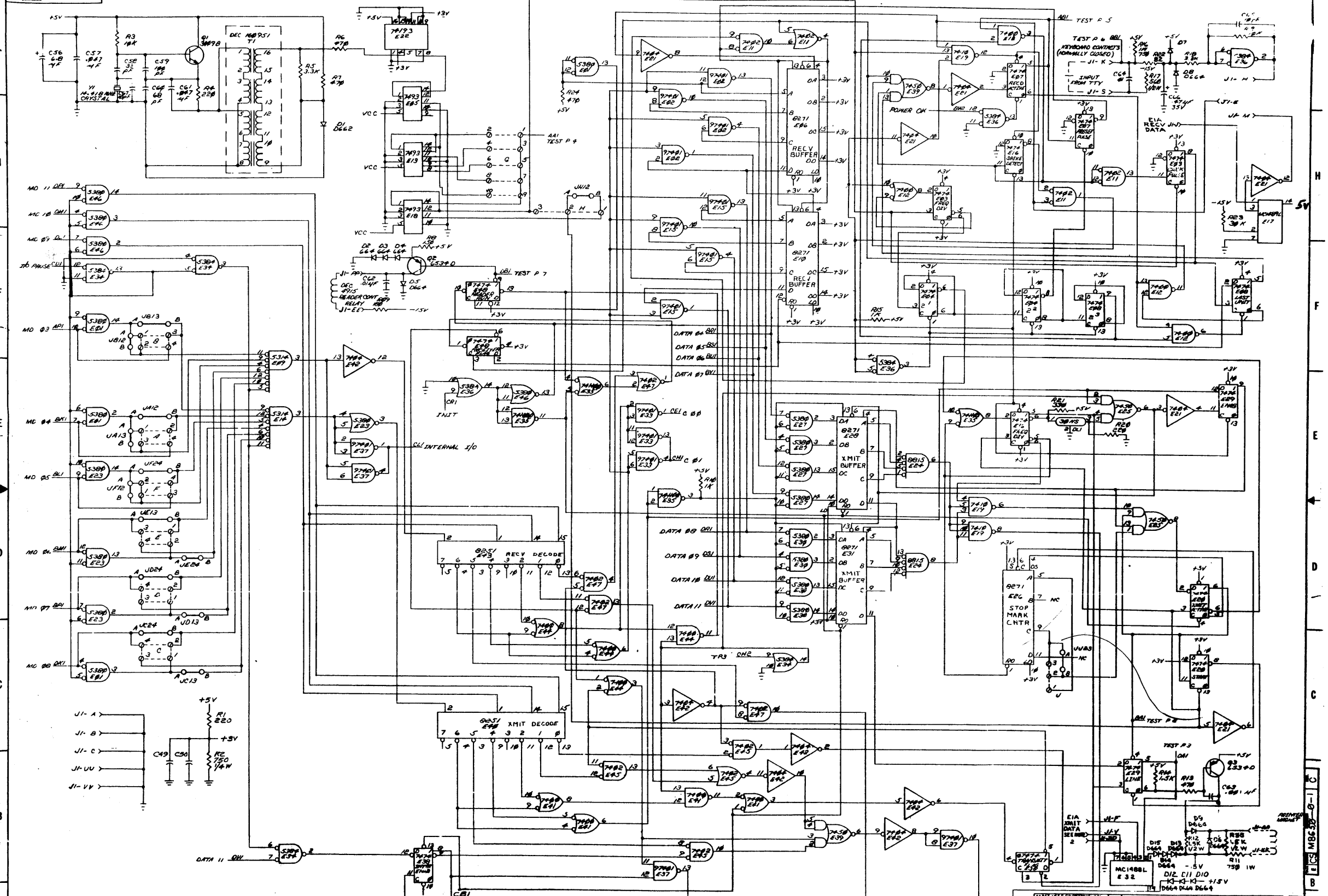
ITEM NO.	DESCRIPTION	PART NO.	QTY.
1	7401	7401	1
2	7402	7402	1
3	7403	7403	1
4	7404	7404	1
5	7405	7405	1
6	7406	7406	1
7	7407	7407	1
8	7408	7408	1
9	7409	7409	1
10	7410	7410	1
11	7411	7411	1
12	7412	7412	1
13	7413	7413	1
14	7414	7414	1
15	7415	7415	1
16	7416	7416	1
17	7417	7417	1
18	7418	7418	1
19	7419	7419	1
20	7420	7420	1
21	7421	7421	1
22	7422	7422	1
23	7423	7423	1
24	7424	7424	1
25	7425	7425	1
26	7426	7426	1
27	7427	7427	1
28	7428	7428	1
29	7429	7429	1
30	7430	7430	1
31	7431	7431	1
32	7432	7432	1
33	7433	7433	1
34	7434	7434	1
35	7435	7435	1
36	7436	7436	1
37	7437	7437	1
38	7438	7438	1
39	7439	7439	1
40	7440	7440	1
41	7441	7441	1
42	7442	7442	1
43	7443	7443	1
44	7444	7444	1
45	7445	7445	1
46	7446	7446	1
47	7447	7447	1
48	7448	7448	1
49	7449	7449	1
50	7450	7450	1
51	7451	7451	1
52	7452	7452	1
53	7453	7453	1
54	7454	7454	1
55	7455	7455	1
56	7456	7456	1
57	7457	7457	1
58	7458	7458	1
59	7459	7459	1
60	7460	7460	1
61	7461	7461	1
62	7462	7462	1
63	7463	7463	1
64	7464	7464	1
65	7465	7465	1
66	7466	7466	1
67	7467	7467	1
68	7468	7468	1
69	7469	7469	1
70	7470	7470	1
71	7471	7471	1
72	7472	7472	1
73	7473	7473	1
74	7474	7474	1
75	7475	7475	1
76	7476	7476	1
77	7477	7477	1
78	7478	7478	1
79	7479	7479	1
80	7480	7480	1
81	7481	7481	1
82	7482	7482	1
83	7483	7483	1
84	7484	7484	1
85	7485	7485	1
86	7486	7486	1
87	7487	7487	1
88	7488	7488	1
89	7489	7489	1
90	7490	7490	1
91	7491	7491	1
92	7492	7492	1
93	7493	7493	1
94	7494	7494	1
95	7495	7495	1
96	7496	7496	1
97	7497	7497	1
98	7498	7498	1
99	7499	7499	1
100	7500	7500	1

EQUIPMENT CORPORATION

ASYNCHRONOUS DATA CONTROL

MB650-YA-1

This drawing and specifications, taken as the basis for the construction of the equipment, shall be the property of the Government and shall not be distributed outside the limits of the contract. It is to be used only for the purpose of the construction of the equipment as shown on this drawing.



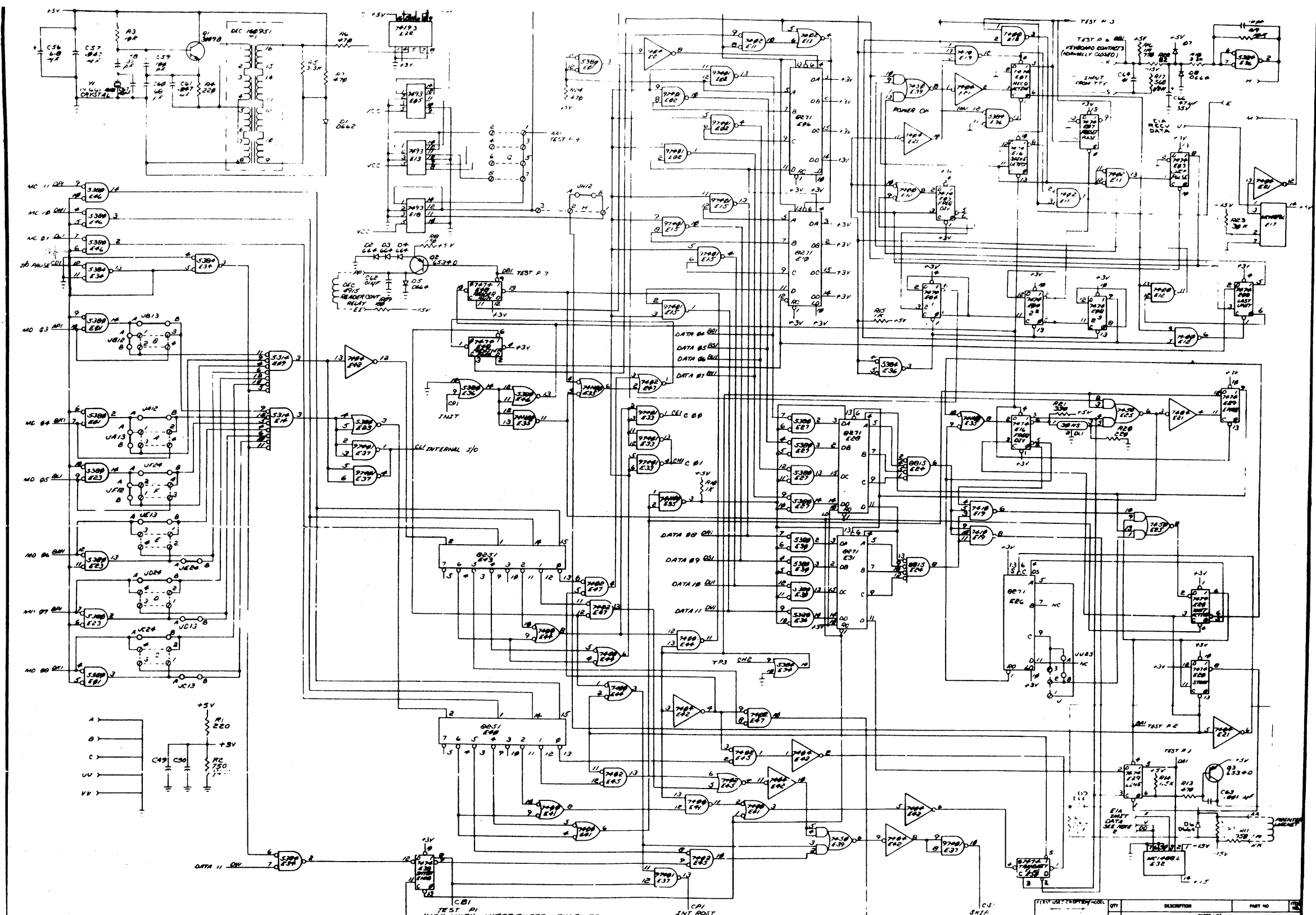
REVISIONS  
 NO. CHANGE NO. DATE

REV.	NO.	CHANGE NO.	DATE	DESCRIPTION	PART NO.	ITEM NO.

UNLESS OTHERWISE SPECIFIED		DATE	EQUIPMENT CORPORATION	
UNLESS OTHERWISE SPECIFIED		12-27-54	TITLE	
UNLESS OTHERWISE SPECIFIED		12-27-54	ASYNCHRONOUS DATA CONTROL	
UNLESS OTHERWISE SPECIFIED		12-27-54	SCALE NONE	
UNLESS OTHERWISE SPECIFIED		12-27-54	SHEET 2 OF 2	
MATERIAL				
FINISH				

ECS MB630-6-1



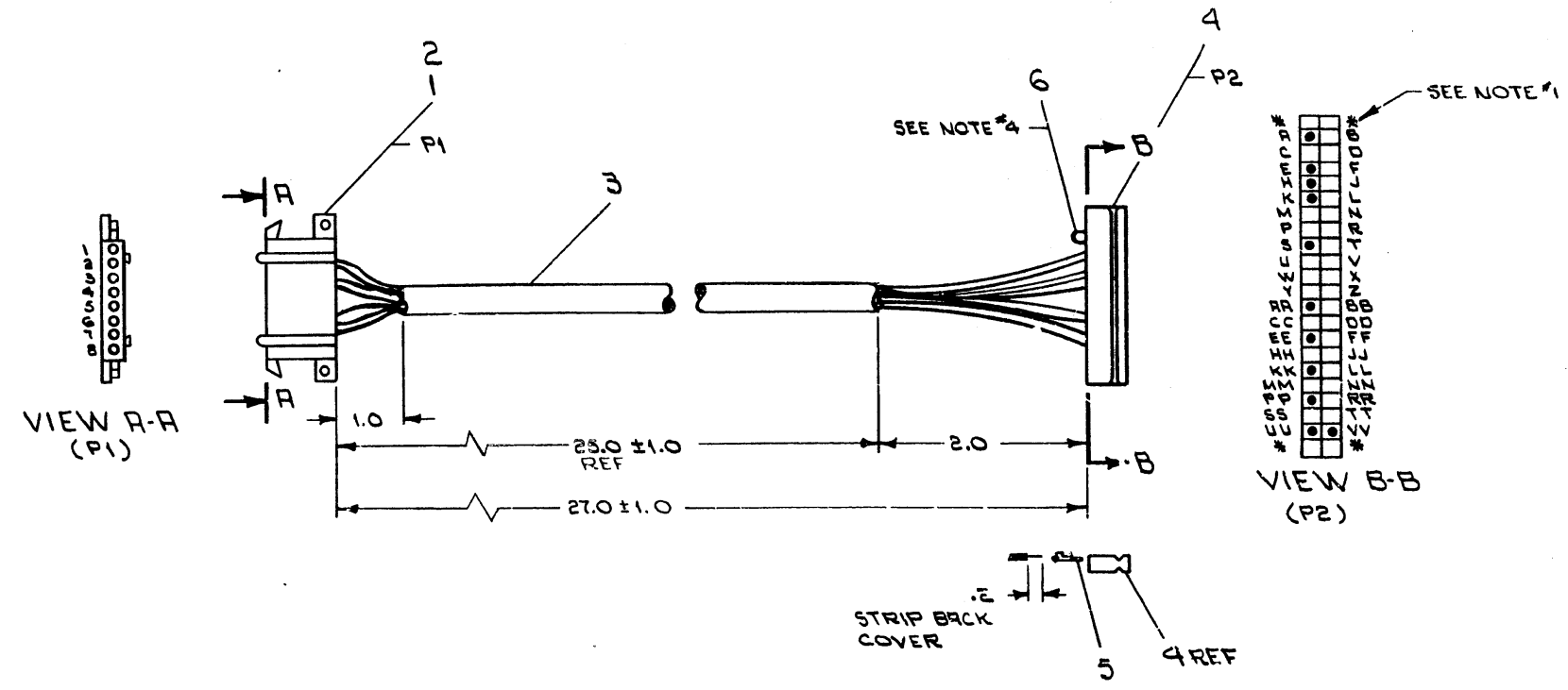
TEST POINT	DESCRIPTION	PART NO.	QTY.
TEST P 1	DATA 00	7400	1
TEST P 2	DATA 01	7400	1
TEST P 3	DATA 02	7400	1
TEST P 4	DATA 03	7400	1
TEST P 5	DATA 04	7400	1
TEST P 6	DATA 05	7400	1
TEST P 7	DATA 06	7400	1
TEST P 8	DATA 07	7400	1
TEST P 9	DATA 08	7400	1
TEST P 10	DATA 09	7400	1
TEST P 11	DATA 10	7400	1
TEST P 12	DATA 11	7400	1
TEST P 13	DATA 12	7400	1
TEST P 14	DATA 13	7400	1
TEST P 15	DATA 14	7400	1
TEST P 16	DATA 15	7400	1
TEST P 17	DATA 16	7400	1
TEST P 18	DATA 17	7400	1
TEST P 19	DATA 18	7400	1
TEST P 20	DATA 19	7400	1
TEST P 21	DATA 20	7400	1
TEST P 22	DATA 21	7400	1
TEST P 23	DATA 22	7400	1
TEST P 24	DATA 23	7400	1
TEST P 25	DATA 24	7400	1
TEST P 26	DATA 25	7400	1
TEST P 27	DATA 26	7400	1
TEST P 28	DATA 27	7400	1
TEST P 29	DATA 28	7400	1
TEST P 30	DATA 29	7400	1
TEST P 31	DATA 30	7400	1
TEST P 32	DATA 31	7400	1
TEST P 33	DATA 32	7400	1
TEST P 34	DATA 33	7400	1
TEST P 35	DATA 34	7400	1
TEST P 36	DATA 35	7400	1
TEST P 37	DATA 36	7400	1
TEST P 38	DATA 37	7400	1
TEST P 39	DATA 38	7400	1
TEST P 40	DATA 39	7400	1
TEST P 41	DATA 40	7400	1
TEST P 42	DATA 41	7400	1
TEST P 43	DATA 42	7400	1
TEST P 44	DATA 43	7400	1
TEST P 45	DATA 44	7400	1
TEST P 46	DATA 45	7400	1
TEST P 47	DATA 46	7400	1
TEST P 48	DATA 47	7400	1
TEST P 49	DATA 48	7400	1
TEST P 50	DATA 49	7400	1
TEST P 51	DATA 50	7400	1
TEST P 52	DATA 51	7400	1
TEST P 53	DATA 52	7400	1
TEST P 54	DATA 53	7400	1
TEST P 55	DATA 54	7400	1
TEST P 56	DATA 55	7400	1
TEST P 57	DATA 56	7400	1
TEST P 58	DATA 57	7400	1
TEST P 59	DATA 58	7400	1
TEST P 60	DATA 59	7400	1
TEST P 61	DATA 60	7400	1
TEST P 62	DATA 61	7400	1
TEST P 63	DATA 62	7400	1
TEST P 64	DATA 63	7400	1
TEST P 65	DATA 64	7400	1
TEST P 66	DATA 65	7400	1
TEST P 67	DATA 66	7400	1
TEST P 68	DATA 67	7400	1
TEST P 69	DATA 68	7400	1
TEST P 70	DATA 69	7400	1
TEST P 71	DATA 70	7400	1
TEST P 72	DATA 71	7400	1
TEST P 73	DATA 72	7400	1
TEST P 74	DATA 73	7400	1
TEST P 75	DATA 74	7400	1
TEST P 76	DATA 75	7400	1
TEST P 77	DATA 76	7400	1
TEST P 78	DATA 77	7400	1
TEST P 79	DATA 78	7400	1
TEST P 80	DATA 79	7400	1
TEST P 81	DATA 80	7400	1
TEST P 82	DATA 81	7400	1
TEST P 83	DATA 82	7400	1
TEST P 84	DATA 83	7400	1
TEST P 85	DATA 84	7400	1
TEST P 86	DATA 85	7400	1
TEST P 87	DATA 86	7400	1
TEST P 88	DATA 87	7400	1
TEST P 89	DATA 88	7400	1
TEST P 90	DATA 89	7400	1
TEST P 91	DATA 90	7400	1
TEST P 92	DATA 91	7400	1
TEST P 93	DATA 92	7400	1
TEST P 94	DATA 93	7400	1
TEST P 95	DATA 94	7400	1
TEST P 96	DATA 95	7400	1
TEST P 97	DATA 96	7400	1
TEST P 98	DATA 97	7400	1
TEST P 99	DATA 98	7400	1
TEST P 100	DATA 99	7400	1

This drawing and specifications hereon are the property of Digital Equipment Corporation and shall not be reproduced or copied in whole or in part as the basis for the manufacture of items without written permission.

WIRE TABLE

ITEM NO.	DESCRIPTION	PAIR NO.	FROM		TO	
			CONNECTION	WITH	CONNECTION	WITH
3	.22 BLK	1	P1-2	2	P2-KK	5
3	RED		P1-3	2	P2-S	
3,7	SHIELD		SEE NOTE #2	-	P2-R(NOTE#3)	
3	BLK	2	P1-4	2	P2-EE	
3	WHT		P1-5	2	P2-RR	
3,7	SHIELD		SEE NOTE #2	-	P2-UU(NOTE#3)	
3	BLK	3	P1-6	2	P2-PP	
3	GRN		P1-7	2	P2-K	
3,7	SHIELD		SEE NOTE #2	-	P2-VV(NOTE#3)	
6	.22 BLK	-	P2-E	5	P2-H	5

- NOTES:
- \* ASTERISKS INDICATE CAVITIES NOT USED OR DESIGNATED BY LETTERS.
  - DRAIN WIRES TO BE CUT BACK TO OUTER INSULATION ON P1 END OF CABLE ONLY. SHIELDS TO BE CUT BACK TO OUTER INSULATION ON BOTH ENDS OF CABLES.
  - DRAIN WIRES ON P2 END OF CABLE TO BE EACH ENCLOSED WITH ITEM #7 (TUBING) FROM END OF CABLE JACKET TO POINT WHERE THEY ENTER P2 CONNECTOR.
  - ITEM #6 (WIRE) TO BE APPROXIMATELY ONE(1) INCH LONG.



QTY.	DESCRIPTION	PART NO.	ITEM NO.
	R/R TUB. #18 TEF. THINWALL NAT	9107278-11	7
	R/R WIRE #22 AWG STRO TEF BLK	9107350-00	6
	11 SOCKET, BERG #47706	1210089-6	5
	1 HOUSING BERG #20383	1210090-0	4
	R/R CABLE, BELDEN #8777-3PR SHLD	9107723-0	3
	6 CONTACT MATE-LOCK(FEMALE)	1209379	2
	1 CONN. MATE-LOCK(FEMALE)	1209340-00	1

REV	CHANGE NO	DATE	BY	CHK
A	0002	5/13/71	J. MCNAMARA	

FIRST USED ON OPTION / MODEL  
PDP-8E

DO NOT SCALE DRAWING  
UNLESS OTHERWISE SPECIFIED  
DIMENSION IN INCHES

TOLERANCES: ANGLES = 0°30'

FINAL SURFACE QUALITY: REMOVE BURRS AND BREAK SHARP CORNERS

MATERIAL: SEE PARTS LIST

FINISH: NONE

SCALE: NONE

SHEET OF

digital EQUIPMENT CORPORATION  
MAYNARD, MASSACHUSETTS

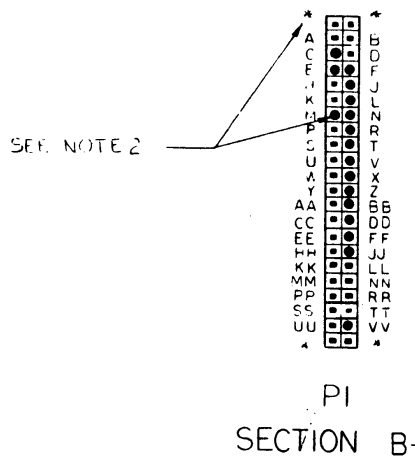
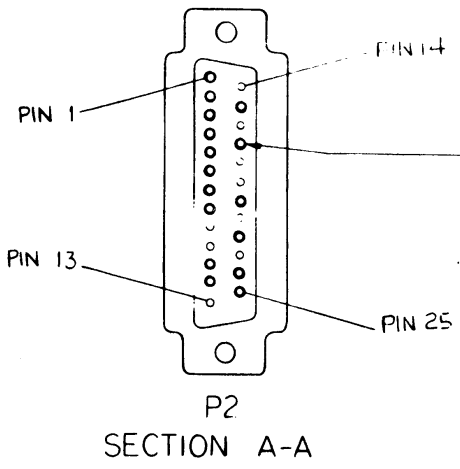
TITLE: CABLE ASSEMBLY (KL8E)

SIZE/CCODE: D I A 7008360-0-0

NUMBER: A

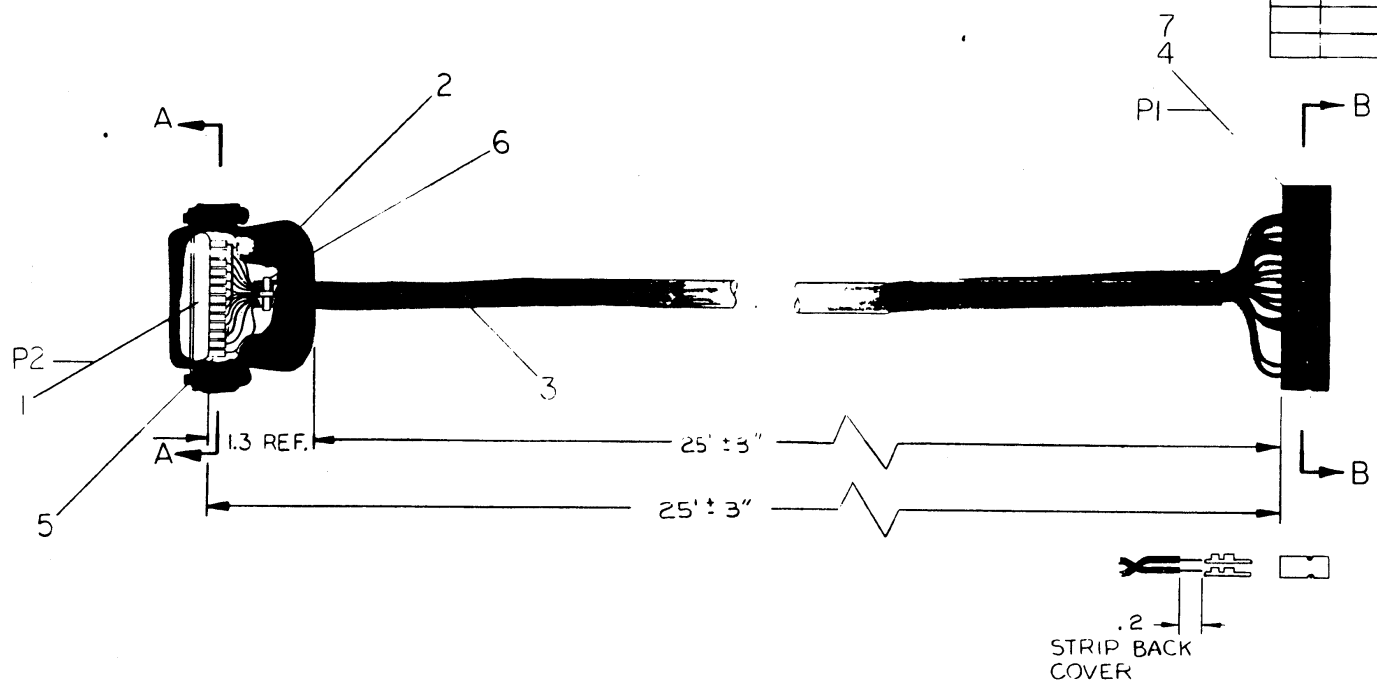
REV: A

This drawing and specifications herein are the property of Digital Equipment Corporation and shall not be reproduced or copied or used in whole or in part as the basis for the manufacture or sale of items without written permission.



WIRE TABLE						
ITEM NO.	AWG	COLOR	FROM		TO	
			CONNECTION	WITH	CONNECTION	WITH
3	22	BLK	PI-VV	CRIMP	P2-7	SOLD.
		GRN/WHT	PI-C		P2-25	
		GRN/BLK	PI-JJ		P2-12	
		ORN/BLK	PI-FF		P2-11	
		RED	PI-DD		P2-20	
		GRN	PI-BB		P2-8	
		BLU/WHT	PI-Z		P2-6	
		ORN	PI-X		P2-22	
		BLU	PI-V		P2-4	
		WHT	PI-T		P2-5	
		BLU/BLK	PI-R		P2-17	
		BLK/WHT	PI-N		P2-15	
		RED/WHT	PI-L		P2-24	
		WHT/BLK	PI-J		P2-3	
		RED/BLK	PI-F		P2-2	SOLD.
5		BLK	PI-E	CRIMP	PI-M	CRIMP
5	22	BLK	P2-1	SOLD.	P2-7	SOLD.

NOTES:  
 1. EACH SOLDERED CONN. ON P2 SHALL BE INSULATED WITH A 1/4" PIECE OF HY-SHRINK TUBING (ITEM #5).  
 2. \* INDICATES PINS USED ON P1 (BERG CONN).  
 3. @ INDICATES PINS USED ON P2 (CINCH PLUG).  
 \* DENOTES CAVITIES NOT USED OR DESIGNATED BY LETTER ON P1 (BERG CONN).



QTY.	DESCRIPTION	PART NO.	ITEM NO.
A/R	WIRE #22 AWG STRD TEF BLK	9107350-0-0	8
17	PIN, CONN. #47706 BERG	1210089-6	7
1	TIE WRAP, PANDUIT #SST-1B	9007031	6
16	TUBING, HEAT SHRINK 1/8	9107255	5
1	HOUSING #20383 BERG	1210090-0	4
A/R	CABLE, BELDON 15 CONN.	9107672	3
1	HOOD, PLUG CINCH #DB51226-1	1205885	2
1	PLUG, CINCH #DB-25P	1205886	1

REV.	CHANGE NO.	DATE
1	1	10/1/71

FIRST USED ON OPTION / MODEL: 10/1

DO NOT SCALE DRAWING UNLESS OTHERWISE SPECIFIED

TOLERANCES: DECIMALS ± .005, FRACTIONS ± 1/32, ANGLES ± 0°30'

FINAL SURFACE QUALITY: REMOVE BURRS AND BREAK SHARP CORNERS

MATERIAL: SEE PARTS LIST

FINISH: NONE

DRN: [Signature] DATE: 10/1/71

CHKD: [Signature] DATE: 10/1/71

ENG: [Signature] DATE: 10/1/71

PROJ ENG: [Signature] DATE: 10/1/71

PROD: [Signature] DATE: 10/1/71

NEXT HIGHER ASSY: A-FL-DPB-EA-0

SCALE: NONE

SHEET 1 OF 1

digital EQUIPMENT CORPORATION  
 WATERTOWN, MASSACHUSETTS

TITLE: ABLE ASSY (RCCIV)

SIZE: D CODE: 100 NUMBER: 100 REV: A



**DIGITAL EQUIPMENT CORPORATION  
MAYNARD, MASSACHUSETTS**

**ENGINEERING SPECIFICATION**

DATE 3/15/71

TITLE KL8/E Asynchronous Data Control (M8650)

**REVISIONS**

REV	DESCRIPTION	CHG NO	ORIG	DATE	APPD BY	DATE

Abstract

The KL8/E is a single line asynchronous data control for the PDP8-E. A variety of speeds are offered and split lugs are provided such that any desired device codes may be wired in. Factory wiring provides the standard console teleprinter device codes 03 and 04. Both 20 milliamper and EIA/CCITT levels are offered at 110 baud. In the higher speed ranges, only EIA/CCITT interface is offered. The EIA/CCITT interface applies to data leads only; no modem control is provided. This specification includes a complete discussion of the current driver capabilities, the selection of device codes, the selection of speeds, and the configurations available under each option designation.

**ENGINEERING SPECIFICATION**

CONTINUATION SHEET

TITLE KL8/E Asynchronous Data Control

I. General Description

The KL8/E provides complete facilities for interfacing an asynchronous device such as a teleprinter or display to the PDP8/E. Split lugs are provided such that a KL8/E may be assigned any two device codes desired. In this manner a quantity of KL8/E units may be used on a single PDP8/E to provide a multiple teleprinter capability. The instruction set is similar to that used on previous Family-of-8 console teleprinter controls and asynchronous data controls. Several different clock speed and interface options are offered.

II. Physical

The KL8/E is a single quad board which plugs directly into the Omnibus. The same etched board (M8650) is used for all KL8/E options listed below, with a crystal change or cable change determining the option designation applicable.

III. Options

The KL8/E is available in the following options:

Designation	Receive Speed	Transmit Speed	Interface Type	(Board Type)
KL8/E	110 Baud	110 Baud	20 milliamper	M8650
KL8/EA	110 Baud	110 Baud	EIA Data Leads	M8650
KL8/EB	150 Baud	150 Baud	EIA Data Leads	M8650 YA
KL8/EC	300 Baud	300 Baud	EIA Data Leads	M8650 YA
KL8/ED	600 Baud	600 Baud	EIA Data Leads	M8650 YA
KL8/EE	1200 Baud	1200 Baud	EIA Data Leads	M8650 YA
KL8/EF	150 Baud	1200 Baud	EIA Data Leads	M8650 YA
KL8/EG	150 Baud	2400 Baud	EIA Data Leads	M8650 YA

The M8650 and M8650 YA boards use an identical etched board, but differ in their parts lists. The M8650 uses a DEC Part # 18-09880-01 14.418 MHz crystal, while the M8650 YA uses a DEC Part # 18-09880-02 19.661 MHz crystal. The 14.418 MHz crystal is used to obtain the 110 baud frequency, while the 19.661 MHz crystal is used to obtain the 150, 300, 600, 1200, and 2400 baud frequencies. This means that if one desires to change speeds in the field, a crystal change is involved to change to or from the 110 baud speed, plus re-labelling the board handle. To change amongst the speeds that are multiples of 150 baud, only jumper changes are involved.

ENG John E. McNamara	APPD <i>[Signature]</i>	SIZE A	CODE SP	NUMBER KL8-E-1	REV
-------------------------	----------------------------	-----------	------------	-------------------	-----

SIZE A	CODE SP	NUMBER KL8-E-1	REV
-----------	------------	-------------------	-----

This drawing and specifications, herein, are the property of Digital Equipment Corporation and shall not be reproduced or copied or used in whole or in part as the basis for the manufacture or sale of items without written permission.



**ENGINEERING SPECIFICATION**

CONTINUATION SHEET

TITLE KL8/E Asynchronous Data Control

Both the M8650 and M8650 YA boards contain the appropriate circuitry for both 20 milliampere and EIA operation. A noise suppression network in the 20 milliampere circuitry protects against high frequency noise, but in so doing limits the operating speed of the 20 milliampere interface to 110 baud. The 20 milliampere circuitry is automatically connected when the 7008360 interface cable assembly supplied with the KL8/E option is connected to the board. This cable terminates in a Mate-N-Lock connector compatible with PDP8/E teleprinters, PDP-11 teleprinters, and Mate-N-Lock equipped PDP-15 teleprinters. In like manner, the EIA interface circuitry is automatically connected when the BC01V cable assembly (or BC05C) supplied with the KL8/EA, EB, EC, ED, EE, EF, and EG options is connected. (See Section X)

The EIA interface circuitry meets all present requirements of EIA Specification RS232-C and CCITT Recommendation V24, but interfaces the DATA LEADS ONLY. No modem control is supplied - Data Terminal Ready and Request To Send are held asserted. Use of these options on modems arranged for automatic origination or automatic answering of dial telephone calls is not recommended. The EIA interfaces provided are intended for use with private(non-switched) wire modems operated on a full duplex basis or with a Null Modem (M308 or H312) and a terminal with an EIA interface.

IV. Specifications - Environment

Temperature: 0 degrees to 55 degrees C (Operating)  
 Humidity: 10% to 90% non-condensing (Operating)

During storage, temperature extremes of -15 degrees C and +65 degrees C can be tolerated.

V. Specifications - Communications Variables

A. Type or Transmission: Asynchronous  
 Type of Reception: Asynchronous

B. Number of Start Elements Per Character: One

C. Number of Data Elements Per Character: Eight

D. Number of Stop Elements Per Character: One or Two (Jumper selectable on board. Unless otherwise specified, the KL8/E and KL8/EA options will be supplied jumpered for two stop elements and all other options will be supplied jumpered for one stop element.)

SIZE	CODE	NUMBER	REV
A	SP	KL8-E-1	

**ENGINEERING SPECIFICATION**

CONTINUATION SHEET

TITLE KL8/E Asynchronous Data Control

E. Receiver Sample Rate: 16 times the baud rate

F. Capabilities of the 20 milliampere driver:

For current calculation purposes, the driver circuit may be envisioned as one lead returned through 750 ohms to -15 volts and the other lead as going to a point connected to -15 through 1 K and to +5 through a 0534D PNP transistor, the state of which is controlled by the KL8/E transmitter circuitry. If one assumes a maximum voltage drop across the transistor when saturated as 1 volt and a minimum potential difference between -15 and +5 of 19.75 volts, the output circuit may be envisioned as an 18.75 volt source in series with a 750 ohm resistor, or at worst a 788 ohm resistor. This arrangement would deliver 24 milliamperes in the short circuit case and would tolerate 150 additional ohms for resistance of the teleprinter magnet circuit and the wiring to the teleprinter magnet. The following wire resistances may be of assistance: (Annealed copper wire, 20 degrees C)

26 AWG :	40.81 ohms/1000 feet
24 AWG :	25.67 ohms/1000 feet
22 AWG :	16.14 ohms/1000 feet
19 AWG :	8.05 ohms/1000 feet

In calculating permissible loop length, remember that the above figures are for one conductor only. You must measure the distance from the KL8/E to the teleprinter AND BACK to obtain a footage distance for use in the above calculation. In addition, certain environmental influences such as radio interference, transformers, possibility of physical damage, etc. may cause the maximum operating distance to be less than that indicated by simple resistive calculations. Extreme caution should be used in any installation over 1500 feet.

G. Capabilities of the 20 milliampere receiver:

For current calculation purposes, the receiver circuit may be envisioned as one lead returned through 560 ohms to -15 volts and the other lead returned to both +5 through 750 ohms and to a -.7 volt diode drop through 82 ohms. The resultant current will be 21 milliamperes for a zero ohm resistance loop to the keyboard contacts and 18 milliamperes in the case of a 150 ohm loop such as that mentioned in Section V-F above. Intermediate values can be determined from straight line interpolation between these points. It is not recommended that contact currents less than 18 milliamperes be used.

The 20 milliampere current receiving circuitry contains

SIZE	CODE	NUMBER	REV
A	SP	KL8-E-1	

TITLE KL8/E Asynchronous Data Control

an integrator circuit that may be modelled as a capacitor in series with 402 ohms. The standard value for this capacitor is .47 mfd. This arrangement assists in providing noise reduction by integrating high frequency noise such that its amplitude is insufficient to operate the Schmidt Trigger circuit that follows the integrator. Unfortunately, the integration reduces the rate-of-rise of signals, introducing an additional 2% distortion to the received signal at 110 baud. The high sampling rate of the receiver (16 times the baud rate) makes this additional distortion inconsequential except in the case of very extreme distortion already being present in the received signals. At speeds greater than 110 baud, EIA interface circuitry is used, bypassing both the 20 milliamperer integrator circuit and the 20 milliamperer Schmidt Trigger circuit.

Should it be desired to operate in current loop mode at speeds greater than 110 baud, the .47 mfd capacitor should be reduced in size by the same proportion as the speed is increased; i.e. if you double the speed, halve the value of the capacitor. This product is not specified to operate in current loop mode at speeds greater than 110 baud and the suggestions given above should not be construed as a commitment on the part of Digital Equipment Corporation to make this product operate in current loop mode at any speed other than 110 baud.

## H. Capabilities of the Reader Run Control:

For current calculation purposes, this circuitry may be modelled as one lead being connected to -15 through 180 ohms and the other lead connected to +5 through a 6534D PNP transistor and a 150 ohm resistor. Due to the presence of diode clamps, transistor voltage drop, etc., this second lead may be envisioned as being connected to a + 7/10ths volt source or floating, depending upon the state of the 6534D transistor. The circuit formed by the above elements may be considered as a 14 volt source in series with 180 ohms.

The reader run leads operate a Wheelock #30002 reed relay mounted on a DEC 4915 teleprinter reader control card mounted within the call control area of the Teletype.\* This relay has a coil resistance of 920 ohms and is specified to operate by the time the voltage across its coil reaches 9.6 volts. There is a + 10% tolerance on coil resistance, so a worst case current of 12 milliamperes is required to achieve 9.6 volts across 828 ohms. The 12 milliamperes would cause a 2.3 volt drop across the 180 ohm resistor if that resistor were at the 189 ohm extreme of its + 5% specification. This means that no more than  $14.0 - 11.9 = 2.1$  volts can

\* "Teletype" is a registered trademark of Teletype Corporation, Skokie, Ill. USA

SIZE	CODE	NUMBER	REV
A	SP	KL8-E-1	

TITLE KL8/E Asynchronous Data Control

be dropped by the passage of 12 milliamperes through the wiring to the reader run. That sets a resistance limit of 175 ohms for the reader run control wiring from the KL8/E to the Teletype. (and back). (See Section X)

## I. EIA Signals Provided

Circuitry on the M8650 and M8650 YA modules conditions the transmitted data and received data to the specifications of Electronic Industries Association (EIA) Specification RS 232 C and Committee Consultatif International Telephonique et Telegraphique (CCITT) Recommendation V24.

The signals and their assigned pins on the 40 pin header found on the M8650 are as follows:

Protective Ground	UU	
Send Data	F	
Receive Data	J	
Request To Send	V	(Held Asserted)
Signal Ground	VV	
Data Terminal Ready	DD	(Held Asserted)

Assertion of the Request To Send lead is required with such modems as the Bell System 103F to maintain them in Full Duplex transmission mode on a private (non-switched) line.

Assertion of the Data Terminal Ready lead is required with such modems as the Bell System 103A to maintain an established dial-up connection.

Note that, since the Request To Send lead is held true, the M8650 and M8650 YA are suitable ONLY FOR FULL DUPLEX OPERATION (An additional reason is that there is no interlocking logic in the M8650 and M8650 YA to make the transmitter and receiver dependent upon each other in the fashion that Half Duplex would require).

Note further that, since Data Terminal Ready is held true, the M8650 and M8650 YA are suitable for dial telephone connection use (such as with the Bell System 103A) ONLY UNDER MANUAL CONTROL. In other words, these modules should not be used in dial telephone connections arranged for the automatic origination of calls or arranged for the automatic answering of calls. The reason for this is that Data Terminal Ready must be negated for a dial-up connection to be dropped when the call is over and the M8650 and M8650 YA are incapable of doing this. In addition, they do not monitor the leads necessary to tell them when to take such action.

SIZE	CODE	NUMBER	REV
A	SP	KL8-E-1	

**ENGINEERING SPECIFICATION**

CONTINUATION SHEET

TITLE KL8/E Asynchronous Data Control

In summary, the KL8/E, EA, EB, EC, ED, EE, EF, and EG do not have modem control. Thus, their use with modems is limited to full duplex private line and manual use on the dial-up telephone network.

J. Capabilities of the EIA interface

Total cable length from the KL8/EA(EB, EC, etc) to the associated modem or terminal must not exceed 50 feet under any circumstances.

K. Use With EIA Interface Terminals

The BC01V and BC05C cable assemblies end in male 25 pin connectors in accordance with the EIA specification requirements for data terminal equipment. Likewise, most terminals that have EIA interfaces also employ male 25 pin connectors, as they too are data terminal equipment in the language of the EIA specification.

The EIA specification, in specifying male connectors for data terminal equipment, envisions that each piece of data terminal equipment will be connected to a piece of data communications equipment. The typical connection which the specification envisions is data terminal equipment - modem-communications facility - modem - data terminal equipment. Thus, to stay within the specification when connecting a piece of data terminal equipment to another piece of data terminal equipment, one must introduce the modem-communications facility-modem link. In cases where the two terminals are more than 50 feet apart this would be done with real modems and a real communications facility. Where distances less than fifty feet are involved, Digital Equipment Corporation has devices called Null Modems which contain a female 25 pin connector, a length of cable that transposes the transmitted and received data leads such as a communications facility would, and a second female connector at the opposite end. Use of the Null Modem (H312 or H308) permits the same cables and other hardware to be used for both local and remote terminal applications.

Should a null modem not be available in a VT06 installation, the male/male cord supplied with the VT06 could be removed and the BC01V plugged directly into the female receptacle on the VT06 provided that the following lead swaps are made in the BC01V by swapping pins in the forty pin connector: Swap F & J; Move V to BB.

The above pin changes are not recommended as a general thing, as they result in non-standard cables.

SIZE	CODE	NUMBER	REV
A	SP	KL8-E-1	

**ENGINEERING SPECIFICATION**

CONTINUATION SHEET

TITLE KL8/E Asynchronous Data Control

VI. Programming

The KL8/E uses an augmented version of the instruction set used on Family-of-8 console teleprinters and teleprinter controls such as the PT08.

The instruction set is as follows:

6XX0 Clear Keyboard Flag (KCF)

Clears the keyboard flag without setting the reader run flip-flop. The AC is not cleared by this instruction.

6XX1 Skip on Keyboard Flag (KSF)

Increments the contents of the Program Counter if the keyboard flag is set, so that the next sequential instruction is skipped.

6XX2 Clear Keyboard Flag (KCC)

Clears the keyboard flag and AC and sets the reader run flip-flop. This action allows the hardware to begin assembling the next input character in the TTI register. If the reader is activated and there is tape in the reader, a serial character is read from the tape and is assembled in the TTI register. The keyboard can also load characters into the TTI register provided that the reader is deactivated. In either case, the keyboard flag is set when the character is assembled in the TTI register.

6XX4 Read Keyboard Buffer Static (KRS)

ORs the contents of the TTI register with AC4 through 11, and leaves the result in AC4-11. This is termed a static command because neither the AC nor the keyboard flag is cleared.

6XX5 Set/Clear Interrupt Enable (KIE)

Sets or clears the interrupt enable flip-flop as determined by AC11. If AC11 is asserted, an interrupt request will be generated when the KL8/E keyboard or teleprinter flag is set. If AC11 is negated interrupt requests cannot be generated.

SIZE	CODE	NUMBER	REV
A	SP	KL8-E-1	

TITLE KL8/E Asynchronous Data Control

## 6XX6 Read Keyboard Buffer Dynamic (KRB)

Performs the combined operations of the KCC and KRS instructions. Clears the AC and keyboard flag and transfers the contents of the TTI register to AC4 through AC11. This instruction also sets the reader run flip-flop to begin assembly of another character in the TTI register. When this operation is complete, the keyboard flag is set to indicate that another character is available.

The computer clears all flags which are on the clear flags bus (including both the keyboard flag and the reader run enable) when the console CLEAR pushbutton is depressed or when a Clear All Flags instruction is given. This means that the user program must set the reader enable by means of a KCC or KRB instruction before the first input data can be received from the reader. After the first character is assembled, the KRB instructions used to read that character and the succeeding characters will operate the reader appropriately.

## 6YY0 Set Teleprinter Flag (TFL)

Sets the teleprinter flag to ready the logic for another character.

## 6YY1 Skip on Teleprinter Flag (TSF)

If the teleprinter flag is set, increments the contents of the program counter by one so that the next sequential instruction will be skipped.

## 6YY2 Clear Teleprinter Flag (TCF)

Clears the teleprinter flag. This instruction can be microprogrammed with TPC.

## 6YY4 Load Teleprinter and Print (TPC)

Transfers AC bits 4-11 to the TTO register and starts shifting the character out to the printer/punch units. This instruction does not clear the teleprinter flag. This instruction can be microprogrammed with TCF to produce TLS.

## 6YY5 Skip on Printer or Keyboard Flag (TSK)

Skips the next instruction if the keyboard flag or printer flag is set and the interrupt enable flip-

SIZE	CODE	NUMBER	REV
A	SP	KL8-E-1	

TITLE KL8/E Asynchronous Data Control

flop is set.

## 6YY6 Load Teleprinter Sequence (TLS)

This instruction combines TCF and TPC. The teleprinter flag is cleared and the contents of AC bits 4-11 are transferred to the TTO register where the hardware shifts the character out to the printer/punch unit. Then the shifting operation has finished outputting the character and is ready for another character, the teleprinter flag is set. The whole operation, from the time at which the TLS has cleared the flag and the TTO starts character transfer, until the time the hardware finishes with the character and again sets the flag, requires 100 milliseconds at 110 baud.

Since a Clear All Flags instruction or operation of the CLEAR button on the console will cause the teleprinter output flag to be cleared, it is necessary that each program set the flag by means of a TFL instruction before commencing a teleprinter output sequence for the first time.

In all of the above instructions the device code has been represented as XX for keyboard instructions and YY for teleprinter instructions. In the case of the console teleprinter, these would be device codes 03 and 04 respectively. For further information on device codes, consult Section VII of this specification.

SIZE	CODE	NUMBER	REV
A	SP	KL8-E-1	

# ENGINEERING SPECIFICATION

CONTINUATION SHEET

TITLE KL8/E Asynchronous Data Control

## VII. Device Code Selection

All input/output devices on a PDP8/E (or other Family-of-8 machine) have device codes. These device codes determine which unique input/output device responds to a given instruction. In a typical I/O instruction, such as 6031, the "6" indicates that this is an I/O instruction; the "03" indicates that the device having device code 03 is the device that is to respond to the instruction; and the "1" determines exactly what type of input/output operation is to take place at device 03.

It is vitally necessary that no two input/output devices on the same PDP8/E system have the same device code. If, for example, two devices use code 03, the instruction 6031 would cause a skip on teleprinter receiver flag if either flag was set. Instruction 6036 would probably OR together the contents of both receiver input registers, even if one contained only a partially assembled character - so long as one of them had the receiver flag set. In summary, a multiple teleprinter system (or any multi-input/output device system) must have unique device codes for each device so that the program can address each device individually.

Since there are a limited number of possible device codes in a PDP8/E, no assignment of device codes for large multi-teleprinter systems can be made. It is suggested, however, that the following device codes be used first:

- 03/04 Console teleprinter receive/transmit
- 30/31 Second KL8/E teleprinter receive/transmit
- 32/33
- 34/35
- 36/37

For P108 compatibility 40/41,42/43,44/45,46/47 may be used, as long as no DP8-E Synchronous Modem Control is used.

To obtain additional device codes, determine which device codes you do not have yet on your system. Then write down the desired device code as two binary numbers, labelling the most significant bit "MD3", the next "MD4", the next "MD5", the next "MD6", the next "MD7", and the last "MD8". For example, for device code 03:

```

Octal:           0           3
Binary:         0   0   0   0   1   1
Label:         MD3  MD4  MD5  MD6  MD7  MD8
Split Lug Group: B   A   F   E   D   C
    
```

The "Split Lug Groups" are explained on the next page.

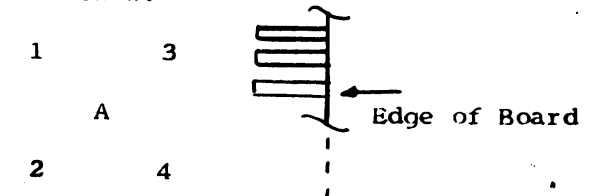
SIZE	CODE	NUMBER	REV
A	SP	KL8-E-1	

# ENGINEERING SPECIFICATION

CONTINUATION SHEET

TITLE KL8/E Asynchronous Data Control

In the lower right hand corner of the M8650/M8650YA board are split lugs which determine the device code to which the receiver will respond and the device code to which the transmitter will respond. The split lugs are arranged in groups of four. Each group has an alphabetic designation (A-F), and each split lug within a group has a numeric designation (1-4). A typical layout is shown below:



The correct strapping for each possible RECEIVER device code is given below:

	Group A	Group B	Group C	Group D	Group E	Group F
00	1-3	1-2	1-2	1-2	2-4	2-1
01	1-3	1-2	4-2	1-2	2-4	2-1
02	1-3	1-2	1-2	4-2	2-4	2-1
03	1-3	1-2	4-2	4-2	2-4	2-1
04	1-3	1-2	1-2	1-2	3-4	2-1
05	1-3	1-2	4-2	1-2	3-4	2-1
06	1-3	1-2	1-2	4-2	3-4	2-1
07	1-3	1-2	4-2	4-2	3-4	2-1
10	1-3	1-2	1-2	1-2	2-4	3-1
11	1-3	1-2	4-2	1-2	2-4	3-1
12	1-3	1-2	1-2	4-2	2-4	3-1
13	1-3	1-2	4-2	4-2	2-4	3-1
14	1-3	1-2	1-2	1-2	3-4	3-1
15	1-3	1-2	4-2	1-2	3-4	3-1
16	1-3	1-2	1-2	4-2	3-4	3-1
17	1-3	1-2	4-2	4-2	3-4	3-1
20	4-3	1-2	1-2	1-2	2-4	2-1
21	4-3	1-2	4-2	1-2	2-4	2-1
22	4-3	1-2	1-2	4-2	2-4	2-1
23	4-3	1-2	4-2	4-2	2-4	2-1
24	4-3	1-2	1-2	1-2	3-4	2-1
25	4-3	1-2	4-2	1-2	3-4	2-1
26	4-3	1-2	1-2	4-2	3-4	2-1
27	4-3	1-2	4-2	4-2	3-4	2-1

**IMPORTANT NOTICE:** Device codes 03 for receiver and 04 for transmitter are factory wired by means of machine inserted jumpers located in the split lug groups A,B,C,D,E,&F. CUT THESE JUMPERS BEFORE ADDING THE JUMPERS LISTED ABOVE.

SIZE	CODE	NUMBER	REV
A	SP	KL8-E-1	

# ENGINEERING SPECIFICATION

CONTINUATION SHEET

TITLE KL8/E Asynchronous Data Control

Continuation of receiver device code strapping table:

	Group A	Group B	Group C	Group D	Group E	Group F
30	4-3	1-2	1-2	1-2	2-4	3-1
31	4-3	1-2	4-2	1-2	2-4	3-1
32	4-3	1-2	1-2	4-2	2-4	3-1
33	4-3	1-2	4-2	4-2	2-4	3-1
34	4-3	1-2	1-2	1-2	3-4	3-1
35	4-3	1-2	4-2	1-2	3-4	3-1
36	4-3	1-2	1-2	4-2	3-4	3-1
37	4-3	1-2	4-2	4-2	3-4	3-1
40	1-3	4-2	1-2	1-2	2-4	2-1
41	1-3	4-2	4-2	1-2	2-4	2-1
42	1-3	4-2	1-2	4-2	2-4	2-1
43	1-3	4-2	4-2	4-2	2-4	2-1
44	1-3	4-2	1-2	1-2	3-4	2-1
45	1-3	4-2	4-2	1-2	3-4	2-1
46	1-3	4-2	1-2	4-2	3-4	2-1
47	1-3	4-2	4-2	4-2	3-4	2-1
50	1-3	4-2	1-2	1-2	2-4	3-1
51	1-3	4-2	4-2	1-2	2-4	3-1
52	1-3	4-2	1-2	4-2	2-4	3-1
53	1-3	4-2	4-2	4-2	2-4	3-1
54	1-3	4-2	1-2	1-2	3-4	3-1
55	1-3	4-2	4-2	1-2	3-4	3-1
56	1-3	4-2	1-2	4-2	3-4	3-1
57	1-3	4-2	4-2	4-2	3-4	3-1
60	4-3	4-2	1-2	1-2	2-4	2-1
61	4-3	4-2	4-2	1-2	2-4	2-1
62	4-3	4-2	1-2	4-2	2-4	2-1
63	4-3	4-2	4-2	4-2	2-4	2-1
64	4-3	4-2	1-2	1-2	3-4	2-1
65	4-3	4-2	4-2	1-2	3-4	2-1
66	4-3	4-2	1-2	4-2	3-4	2-1
67	4-3	4-2	4-2	4-2	3-4	2-1
70	4-3	4-2	1-2	1-2	2-4	3-1
71	4-3	4-2	4-2	1-2	2-4	3-1
72	4-3	4-2	1-2	4-2	2-4	3-1
73	4-3	4-2	4-2	4-2	2-4	3-1
74	4-3	4-2	1-2	1-2	3-4	3-1
75	4-3	4-2	4-2	1-2	3-4	3-1
76	4-3	4-2	1-2	4-2	3-4	3-1
77	4-3	4-2	4-2	4-2	3-4	3-1

IMPORTANT NOTICE: Device codes 03 and 04 for receiver and transmitter respectively are factory wired by means of machine inserted jumpers located in the split lug groups A,B,C,D,E,&F. CUT THESE JUMPERS BEFORE ADDING THE JUMPERS LISTED ABOVE.

SIZE	CODE	NUMBER	REV
A	SP	KL8-E-1	

# ENGINEERING SPECIFICATION

CONTINUATION SHEET

TITLE KL8/E Asynchronous Data Control

The correct strapping for each possible TRANSMITTER device code is given below:

	Group A	Group B	Group C	Group D	Group E	Group F
00	1-2	1-3	1-3	1-3	2-1	2-4
01	1-2	1-3	4-3	1-3	2-1	2-4
02	1-2	1-3	1-3	4-3	2-1	2-4
03	1-2	1-3	4-3	4-3	2-1	2-4
04	1-2	1-3	1-3	1-3	3-1	2-4
05	1-2	1-3	4-3	1-3	3-1	2-4
06	1-2	1-3	1-3	4-3	3-1	2-4
07	1-2	1-3	4-3	4-3	3-1	2-4
10	1-2	1-3	1-3	1-3	2-1	3-4
11	1-2	1-3	4-3	1-3	2-1	3-4
12	1-2	1-3	1-3	4-3	2-1	3-4
13	1-2	1-3	4-3	4-3	2-1	3-4
14	1-2	1-3	1-3	1-3	3-1	3-4
15	1-2	1-3	4-3	1-3	3-1	3-4
16	1-2	1-3	1-3	4-3	3-1	3-4
17	1-2	1-3	4-3	4-3	3-1	3-4
20	4-2	1-3	1-3	1-3	2-1	2-4
21	4-2	1-3	4-3	1-3	2-1	2-4
22	4-2	1-3	1-3	4-3	2-1	2-4
23	4-2	1-3	4-3	4-3	2-1	2-4
24	4-2	1-3	1-3	1-3	3-1	2-4
25	4-2	1-3	4-3	1-3	3-1	2-4
26	4-2	1-3	1-3	4-3	3-1	2-4
27	4-2	1-3	4-3	4-3	3-1	2-4
30	4-2	1-3	1-3	1-3	2-1	3-4
31	4-2	1-3	4-3	1-3	2-1	3-4
32	4-2	1-3	1-3	4-3	2-1	3-4
33	4-2	1-3	4-3	4-3	2-1	3-4
34	4-2	1-3	1-3	1-3	3-1	3-4
35	4-2	1-3	4-3	1-3	3-1	3-4
36	4-2	1-3	1-3	4-3	3-1	3-4
37	4-2	1-3	4-3	4-3	3-1	3-4
40	1-2	4-3	1-3	1-3	2-1	2-4
41	1-2	4-3	4-3	1-3	2-1	2-4
42	1-2	4-3	1-3	4-3	2-1	2-4
43	1-2	4-3	4-3	4-3	2-1	2-4
44	1-2	4-3	1-3	1-3	3-1	2-4
45	1-2	4-3	4-3	1-3	3-1	2-4
46	1-2	4-3	1-3	4-3	3-1	2-4
47	1-2	4-3	4-3	4-3	3-1	2-4

SIZE	CODE	NUMBER	REV
A	SP	KL8-E-1	

**ENGINEERING SPECIFICATION**

CONTINUATION SHEET

TITLE KL8/E Asynchronous Data Control

Continuation of transmitter device code strapping table:

	Group A	Group B	Group C	Group D	Group E	Group F
50	1-2	4-3	1-3	1-3	2-1	3-4
51	1-2	4-3	4-3	1-3	2-1	3-4
52	1-2	4-3	1-3	4-3	2-1	3-4
53	1-2	4-3	4-3	4-3	2-1	3-4
54	1-2	4-3	1-3	1-3	3-1	3-4
55	1-2	4-3	4-3	1-3	3-1	3-4
56	1-2	4-3	1-3	4-3	3-1	3-4
57	1-2	4-3	4-3	4-3	3-1	3-4
60	4-2	4-3	1-3	1-3	2-1	2-4
61	4-2	4-3	4-3	1-3	2-1	2-4
62	4-2	4-3	1-3	4-3	2-1	2-4
63	4-2	4-3	4-3	4-3	2-1	2-4
64	4-2	4-3	1-3	1-3	3-1	2-4
65	4-2	4-3	4-3	1-3	3-1	2-4
66	4-2	4-3	1-3	4-3	3-1	2-4
67	4-2	4-3	4-3	4-3	3-1	2-4
70	4-2	4-3	1-3	1-3	2-1	3-4
71	4-2	4-3	4-3	1-3	2-1	3-4
72	4-2	4-3	1-3	4-3	2-1	3-4
73	4-2	4-3	4-3	4-3	2-1	3-4
74	4-2	4-3	1-3	1-3	3-1	3-4
75	4-2	4-3	4-3	1-3	3-1	3-4
76	4-2	4-3	1-3	4-3	3-1	3-4
77	4-2	4-3	4-3	4-3	3-1	3-4

It will be noted that in many cases two straps are inserted in the same split lug. This is acceptable, but three in the same lug would not be, nor would a diagonal run such as from lug 1 to 4 or from lug 2 to 3. If such runs exist, the strapping has been done incorrectly.

VIII. Speed Selection

A group of split lugs labelled "G" determine the operating speed of each KL8/E, EA, EB etc. option. Another split lug group labelled "H" determines whether the transmitter and receiver sections operate at the same speed. The correct strappings of groups G & H are listed below for each option:

SIZE	CODE	NUMBER	REV
A	SP	KL8-E-1	

**ENGINEERING SPECIFICATION**

CONTINUATION SHEET

TITLE KL8/E Asynchronous Data Control

Option	Group G	Group H	Notes
KL8/E	7-8	1-2	M8650 board
KL8/EA	7-8	1-2	M8650 board
KL8/EB	7-8	1-2	M8650 YA board
KL8/EC	5-6	1-2	M8650 YA board
KL8/ED	3-4	1-2	M8650 YA board
KL8/EE	1-2	1-2	M8650 YA board
KL8/EF	7-8	2-3	M8650 YA board
KL8/EG	7-8	H2 to G5	M8650 YA board

IMPORTANT NOTICE: There are no factory machine inserted jumpers in Group G. There must be one and only one of the straps shown in the above table in place in section G for the board to work; said jumper was hand soldered between the split lugs at the time the board left Digital's production facility. Remove that jumper before adding any other Group G jumpers. Group H has a factory machine inserted jumper between H1 and H2. Cut this jumper before adding any other Group H jumper.

IX. Stop Code Selection

Mechanical teleprinters, such as those that operate at 110 baud, require stop bits after each character transmitted so that their mechanisms can coast to a predetermined starting position before handling the next character. The same restriction applies to their receivers. To prevent the KL8/E from sending characters during this stopping interval, a stop bit counter is inserted in the KL8/E transmitter circuitry. This counter permits the KL8/E to request another character from the program as soon as it has sent the last information bit of the preceding character but prohibits it from sending that new character until an appropriate stop bit interval has been counted out following the transmission of the final information bit of the preceding character. This counter is controlled by a split lug group labelled "J".

Group J	Stop Code	Devices Using This Stop Code
1-2	1 bit	Electronic receiver devices operating at 150 baud and above.
2-3	2 bits	Mechanical receiver devices operating at 110 baud.

The KL8/E and KL8/EA contain a machine inserted jumper

SIZE	CODE	NUMBER	REV
A	SP	KL8-E-1	





DIGITAL EQUIPMENT CORPORATION MAYNARD, MASSACHUSETTS			LEGEND		QUANTITY / VARIATION											
ACCESSORY LIST			D	DOCUMENT												
MADE BY J. McCluskey DATE 1/28/72		CHECKED DATE <i>E Clark 1/28/72</i>	SECTION	DN	DOCUMENT CHANGE NOTICE											
ENG <i>E Clark</i> DATE <i>1/28/72</i>		PROD DATE <i>E Clark 1/28/72</i>	ISSUED SECT.	FA	PAPER TAPE ASCII											
				PB	PAPER TAPE BINARY											
				PM	PAPER TAPE READ-IN-MODE											
ITEM NO.	DWG NO. / PART NO.	DESCRIPTION		KL8/E	KL8/A	KL8/EB-G					KIT CHECK	BY	DATE	INSTALLATION CHECK	BY	DATE
1	M8650	KL8/E Control Module		X	X											
2	M8650-YA	KL8/EB-EG Control Module				X										
3	7008360	KL8/E Control Cable		X												
4	BC01-V	KL8/EA-G Control Cable			X	X										
5	Maindec-8/E-D2AC-D	PDP-8E Teletype And KL8 Asynchronous Data Control Test Binary Tape		X	X	X										
6	Maindec-8/E-D2AC-PB	PDP-8E Teletype And KL8 Asynchronous Data Control Test Document		X	X	X										
7	Maindec-00-D2G3-PT	Binary Count Pattern Test Tape		X	X	X										
8	KL8/E-0	KL8/E Print Set		X	X	X										
9	KL8/E	KL8/E Maintenance Manual		X	X	X										
		Note: When Item 9 Is Temporarily Waived Ship Following														
	A-SP-KL8/E-2	Test Procedure		X	X	X										
	A-SP-KL8-E-3	Acceptance Procedure		X	X	X										
TITLE <i>ASync. DATA CONTROL</i>			ASSY. NO.	SIZE CODE <b>A AL</b>	NUMBER KL8-E-4			REV.	ECO NO.							
SHEET OF			DIST.													

DEC FORM NO.  
DRA 121