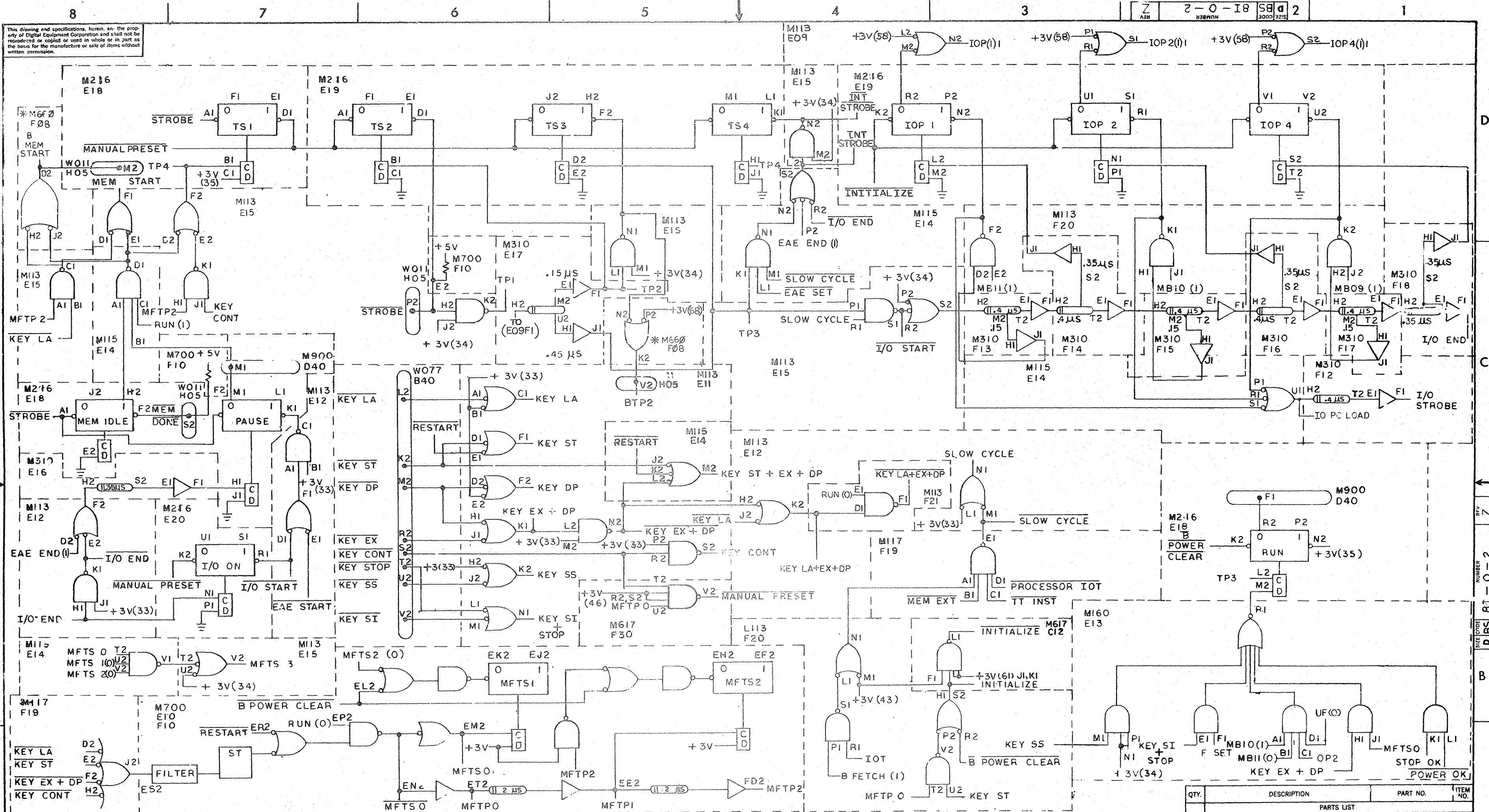


This drawing and specifications herein are the property of Digital Equipment Corporation and shall not be reproduced or copied in whole or in part as the basis for the manufacture or sale of items without written permission.



REV.	CHG. NO.	DATE	BY	DESCRIPTION
1	ECO # 7-6-67	7-11-67	...	...
2	...	...	...	...
3	...	...	...	...
4	...	...	...	...
5	...	...	...	...
6	...	...	...	...
7	...	...	...	...
8	...	...	...	...

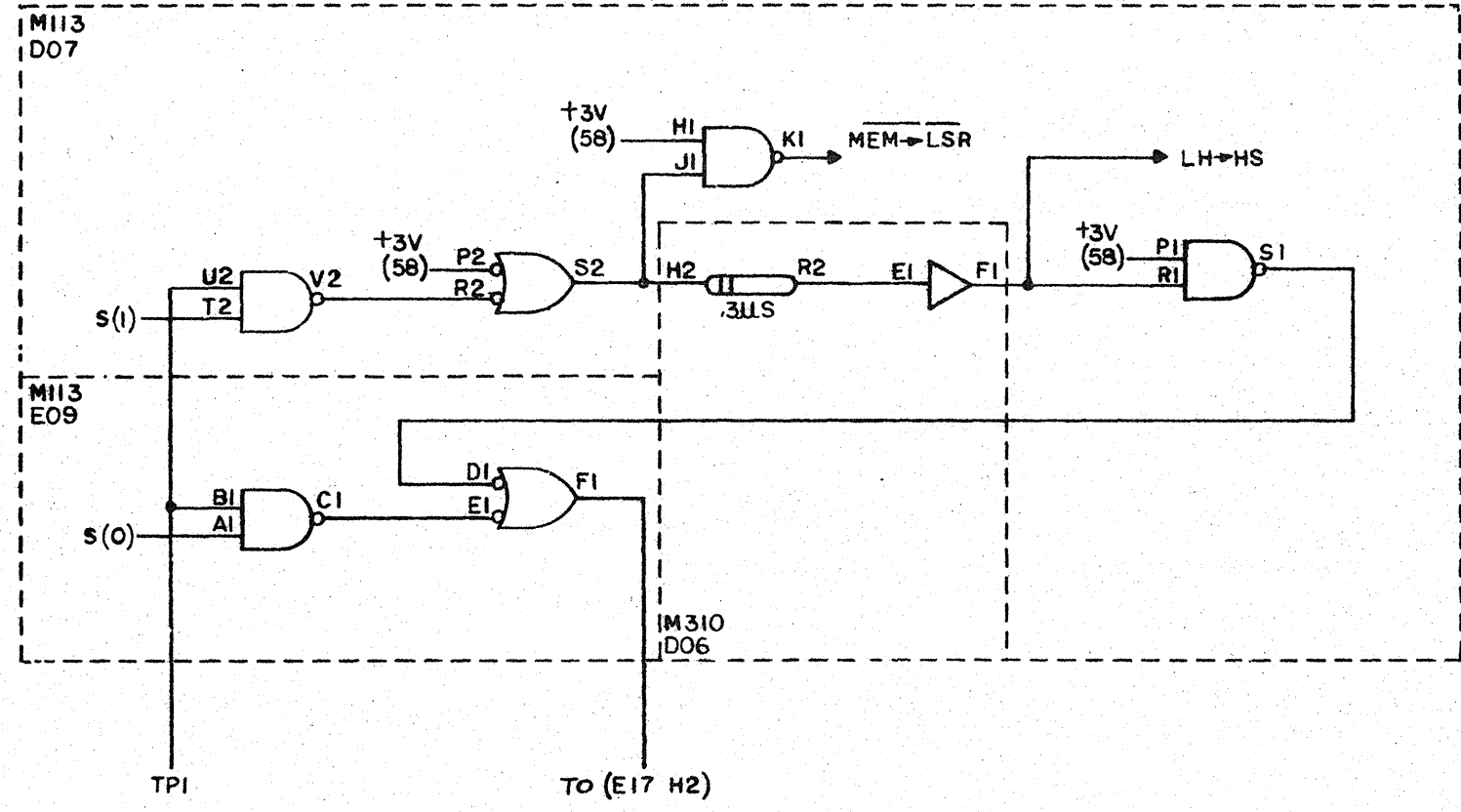
QTY.	DESCRIPTION	PART NO.	ITEM NO.
...	...	...	...
...	...	...	...
...	...	...	...

UNLESS OTHERWISE SPECIFIED		DRN	DATE	EQUIPMENT CORPORATION MILFORD, MASSACHUSETTS
DIMENSION IN INCHES		CHK'D	DATE	
TOLERANCES		TITLE		TIMING, MANUAL FUNCTIONS & RUN
DECIMALS	FRACTIONS	ANGLES	DATE	
±.005	± 1/64	± 0°30'	DATE	SCALE
FINAL SURFACE QUALITY		DATE		
REMOVE BURRS AND BREAK SHARP CORNERS		DATE		SHEET 1 OF 2
MATERIAL		DATE		
FINISH		FIRST USED ON		SIZE CODE
E-UA-8I-0-0		E-UA-8I-0-0		
DIST.		DIST.		REV.
...		...		
...		...		...
...		...		

NOTE:  
 1. SIGNAL NAMES INDICATE ASSERTED STATES FOR HIGH LEVELS PER DEC STD 054.  
 2. FOR KABI THE I/O STROBE DELAY LINE TAP IS CHANGED FROM PIN F122 TO F12V2 TO INCREASE DELAY TO 0.5µs.

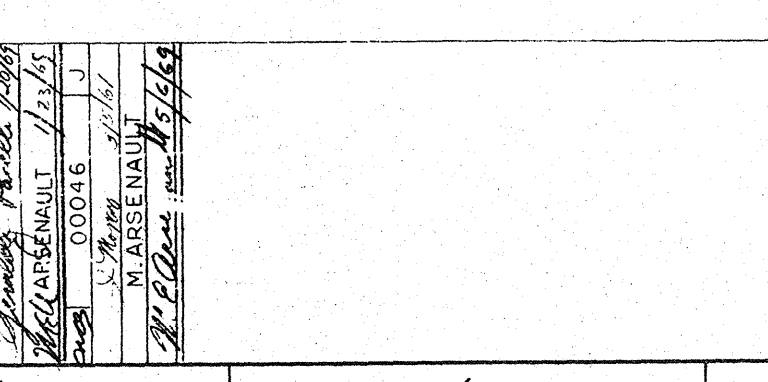
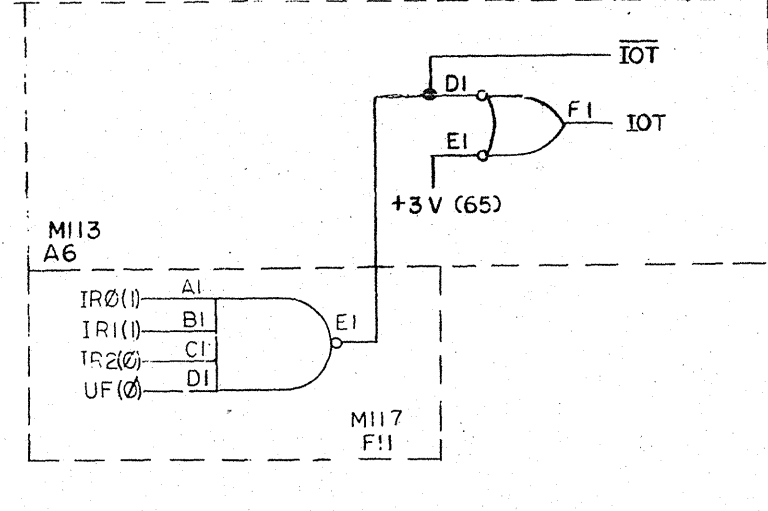
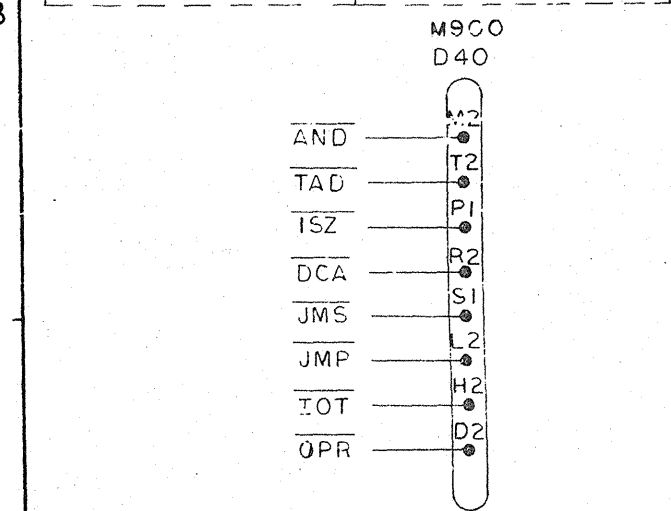
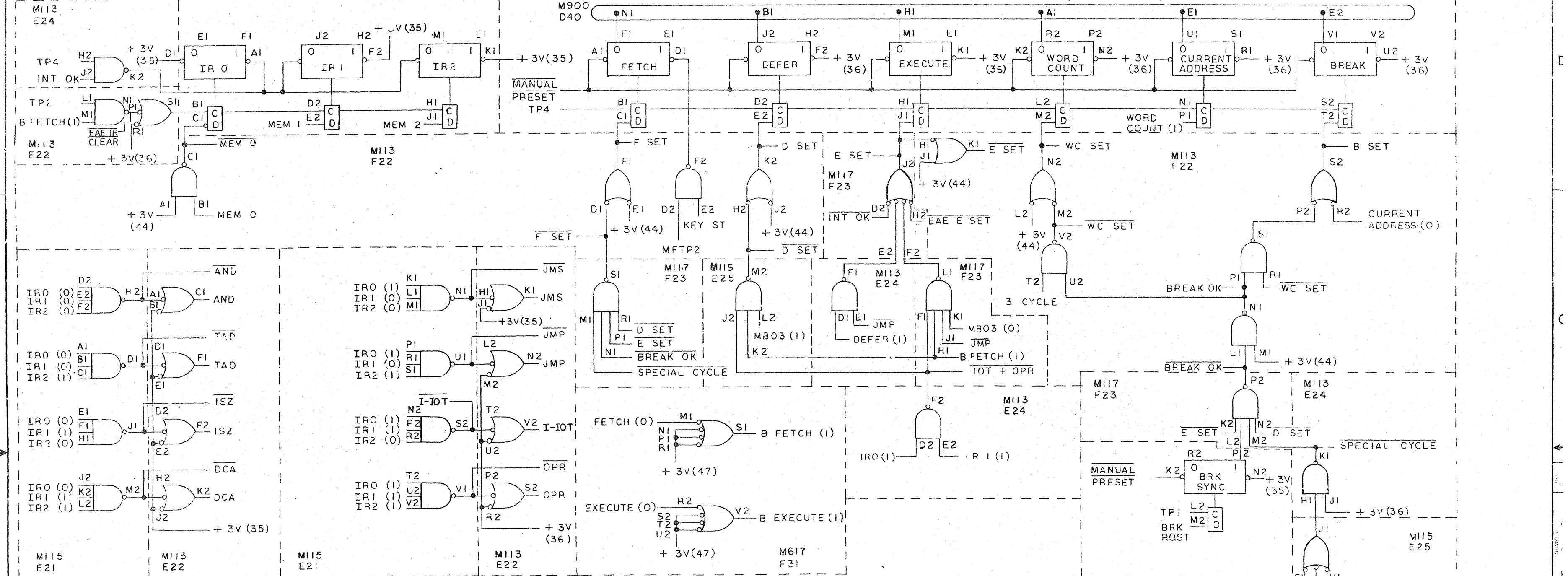
This drawing and specifications, herein, are the property of Digital Equipment Corporation and shall not be reproduced or copied in whole or in part as the basis for the manufacture or sale of items without written permission.



REV.	CHG. NO.	DATE	BY	CHK.
1	00001	11-3-60	T. O. Wilson	
2	00002		M. Arsenault	
3	00003		M. Arsenault	
4	00004	12/9/62	M. Arsenault	
5	00005		M. Arsenault	
6	00006		M. Arsenault	
7	00007		M. Arsenault	

QTY.	DESCRIPTION	PART NO.	ITEM NO.
PARTS LIST			
UNLESS OTHERWISE SPECIFIED DIMENSION IN INCHES TOLERANCES DECIMALS ± .005 FRACTIONS ± 1/64 ANGLES ± 0°30' FINAL SURFACE QUALITY REMOVE BURRS AND BREAK SHARP CORNERS		DRN. James Reardon CHK'D. DATE 7-24-68	DATE 7-24-68
MATERIAL		ENG. DATE	DATE
FINISH		PROJ. ENG. DATE	DATE
FIRST USED ON E-UA-01-0-0		TITLE <b>TIMING MANUAL FUNCTIONS RUN</b>	
SCALE SHEET 2 OF 2		SIZE CODE DBS	NUMBER 8I-0-2
		REV. Z	

This drawing and specifications, herein, are the property of Digital Equipment Corporation and shall not be reproduced or copied or used in whole or in part as the basis for the manufacture or sale of items without written permission.



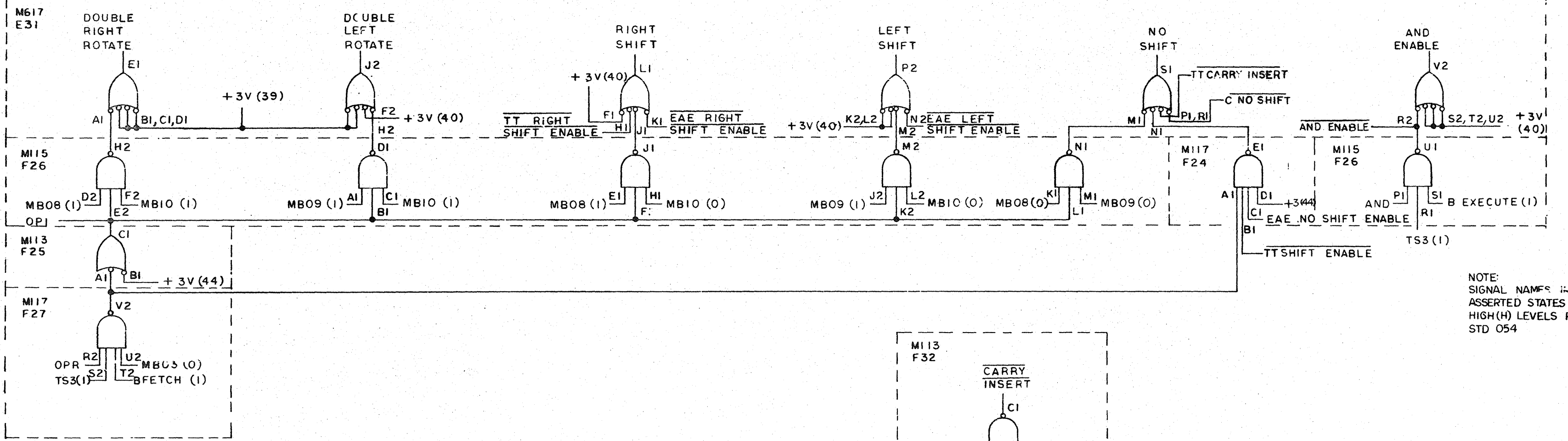
NOTE: SIGNAL NAMES INDICATE ASSERTED STATES FOR HIGH(H) LEVELS PER DEC STD 054

Table with 10 columns: REVISIONS, CHANGE NO., REV., DATE, and various handwritten entries for revision details.

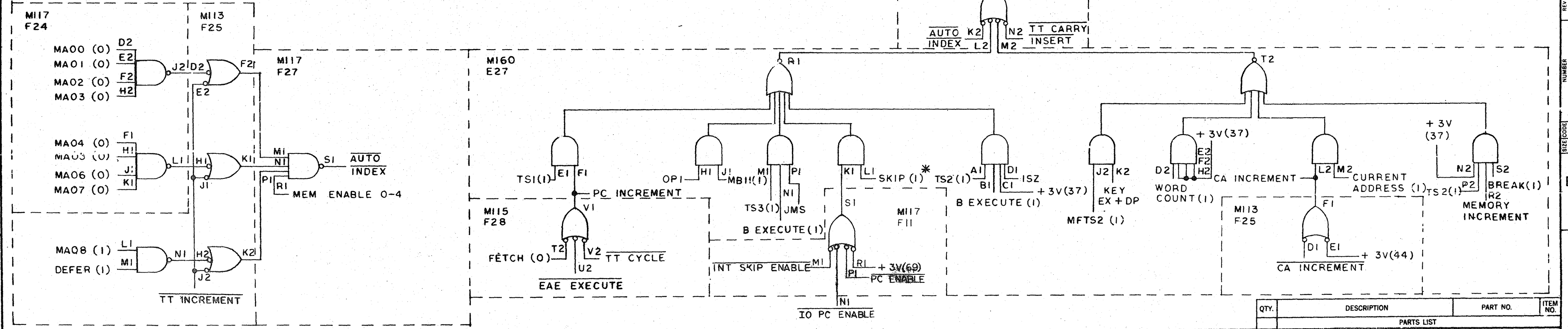
Technical drawing header table containing fields for QTY, DESCRIPTION, PART NO., ITEM NO., UNLESS OTHERWISE SPECIFIED, DIMENSION IN INCHES, TOLERANCES, DECIMALS, FRACTIONS, ANGLES, MATERIAL, FINISH, SCALE, SHEET, OF, DIST., and a large title block for 'INSTRUCTION REG & MAJOR STATES'.



This drawing and specifications, herein, are the property of Digital Equipment Corporation and shall not be reproduced or copied or used in whole or in part as the basis for the manufacture or sale of items without written permission.



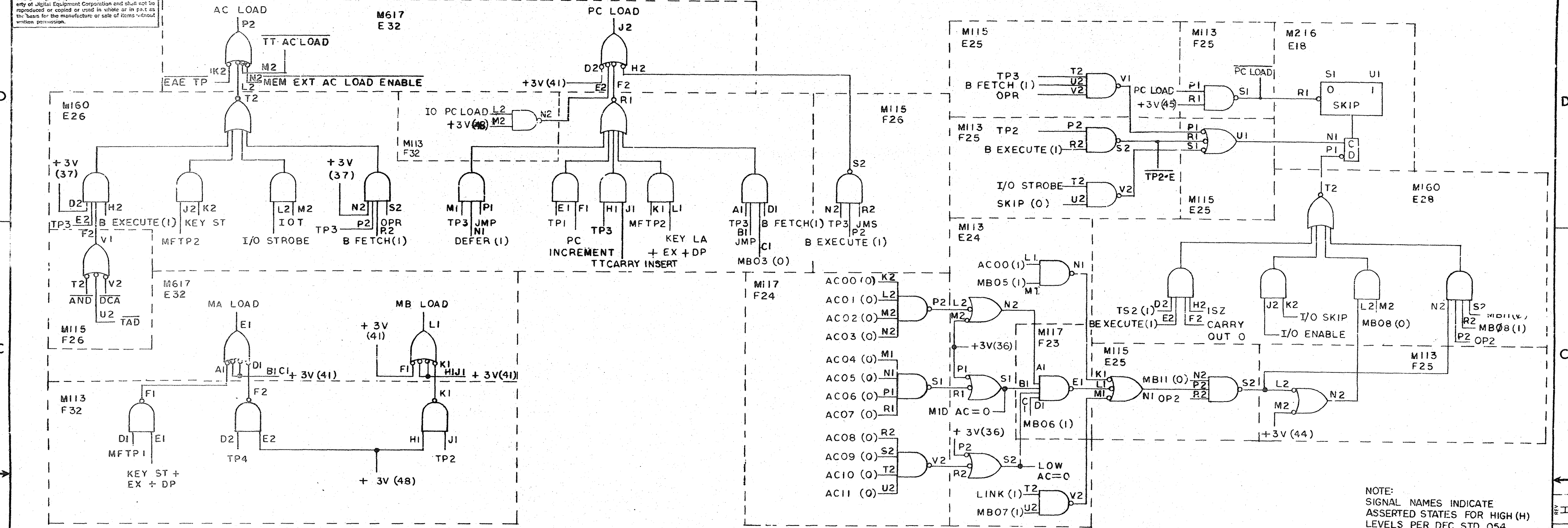
NOTE: SIGNAL NAMES INDICATE ASSERTED STATES FOR HIGH (H) LEVELS PER DEC STD 054



\*NOTE: IF A KTBI IS INSTALLED THIS BECOMES SKIP ORED. SEE OPTION JUMPERS 81-0-23

REV.	CHANGE NO.	DATE	BY	CHKD.
1	1	9/20/67	J. O'LOUGHLIN	J. O'LOUGHLIN
2	2	10/11/67	J. O'LOUGHLIN	J. O'LOUGHLIN
3	3	10/11/67	J. O'LOUGHLIN	J. O'LOUGHLIN
4	4	10/11/67	J. O'LOUGHLIN	J. O'LOUGHLIN
5	5	10/11/67	J. O'LOUGHLIN	J. O'LOUGHLIN
6	6	10/11/67	J. O'LOUGHLIN	J. O'LOUGHLIN
7	7	10/11/67	J. O'LOUGHLIN	J. O'LOUGHLIN
8	8	10/11/67	J. O'LOUGHLIN	J. O'LOUGHLIN

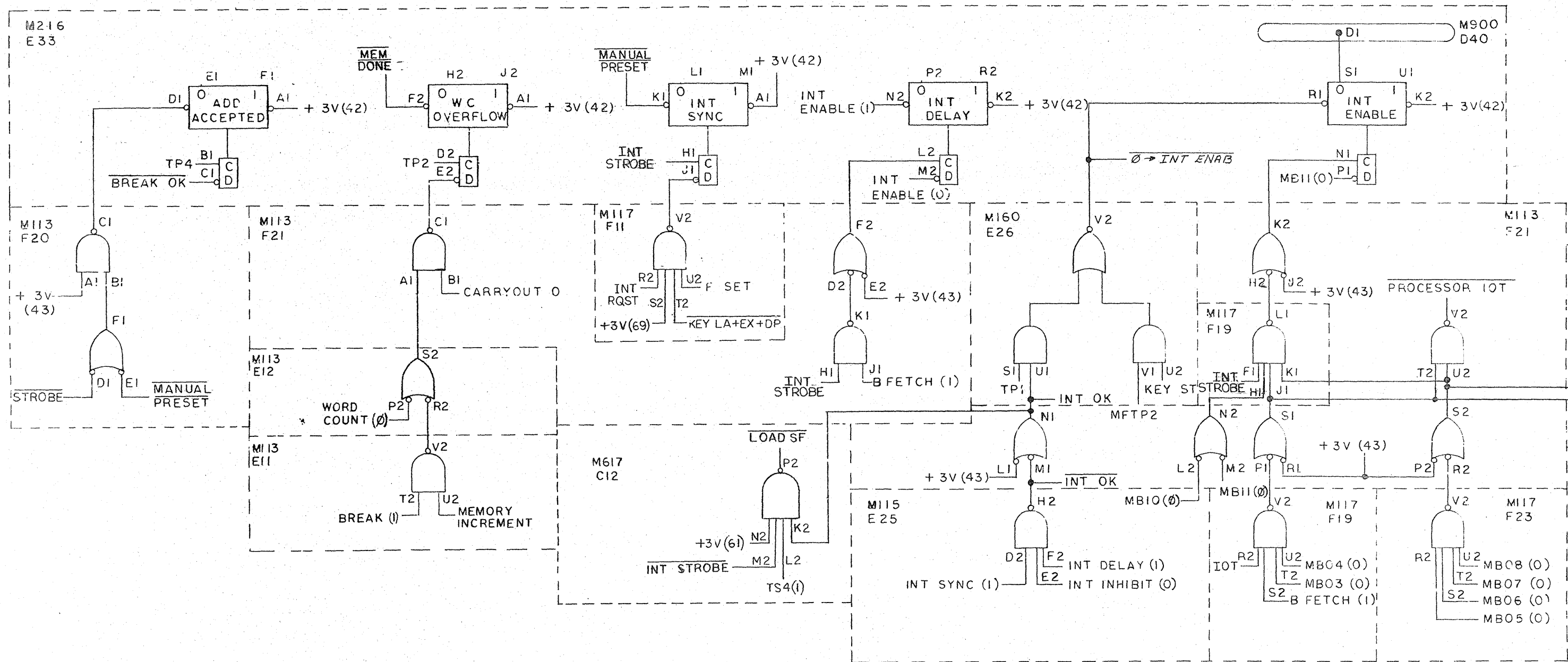
UNLESS OTHERWISE SPECIFIED		UNLESS OTHERWISE SPECIFIED	
DIMENSION IN INCHES	TOLERANCES	DECIMALS	FRACTIONS
± .005	± .1/64	± .005	± 1/64
FINAL SURFACE QUALITY		REMOVE BURRS AND BREAK SHARP CORNERS	
MATERIAL		FINISH	
SCALE		SHEET	
PARTS LIST		TITLE	
QTY.		DESCRIPTION	
PART NO.		ITEM NO.	
DATE		DATE	
BY		BY	
CHKD.		CHKD.	
DATE		DATE	
PROJ. ENG.		PROJ. ENG.	
DATE		DATE	
FIRST USED ON		FIRST USED ON	
E-UA-81-0-0		E-UA-81-0-0	
SIZE CODE		NUMBER	
DBS 81-0-5		1	
REV.		REV.	
H		H	



REV.	CHG. NO.	DATE	BY	CHK.
A	9-6-67			
B	9-11-67			
C	10-1-67			
D	10-1-67			
E	10-1-67			
F	10-1-67			
G	10-1-67			
H	10-1-67			

QTY.	DESCRIPTION	PART NO.	ITEM NO.
PARTS LIST			
UNLESS OTHERWISE SPECIFIED: DBN: R.P. Berman DATE: 2/2/67			
UNLESS OTHERWISE SPECIFIED: CHK'D: G. Housheer DATE: 3-11-67			
DIMENSION IN INCHES: DATE: 10-1-67			
TOLERANCES: DATE: 10-1-67			
DECIMALS FRACTIONS ANGLES: DATE: 10-1-67			
±.005 ± 1/64 ± 0'30": DATE: 10-1-67			
FINAL SURFACE QUALITY: DATE: 10-1-67			
REMOVE BURRS AND BREAK SHARP CORNERS: DATE: 10-1-67			
MATERIAL: PROD: B. Housheer DATE: 10-1-67			
FIRST USED ON: E-UA-8I-0-0			
FINISH: SCALE: DBS 8I-0-6			
SHEET 1 OF 1			

This drawing and specifications, herein, are the property of Digital Equipment Corporation and shall not be reproduced or copied or used in whole or in part as the basis for the manufacture or sale of items without written permission.

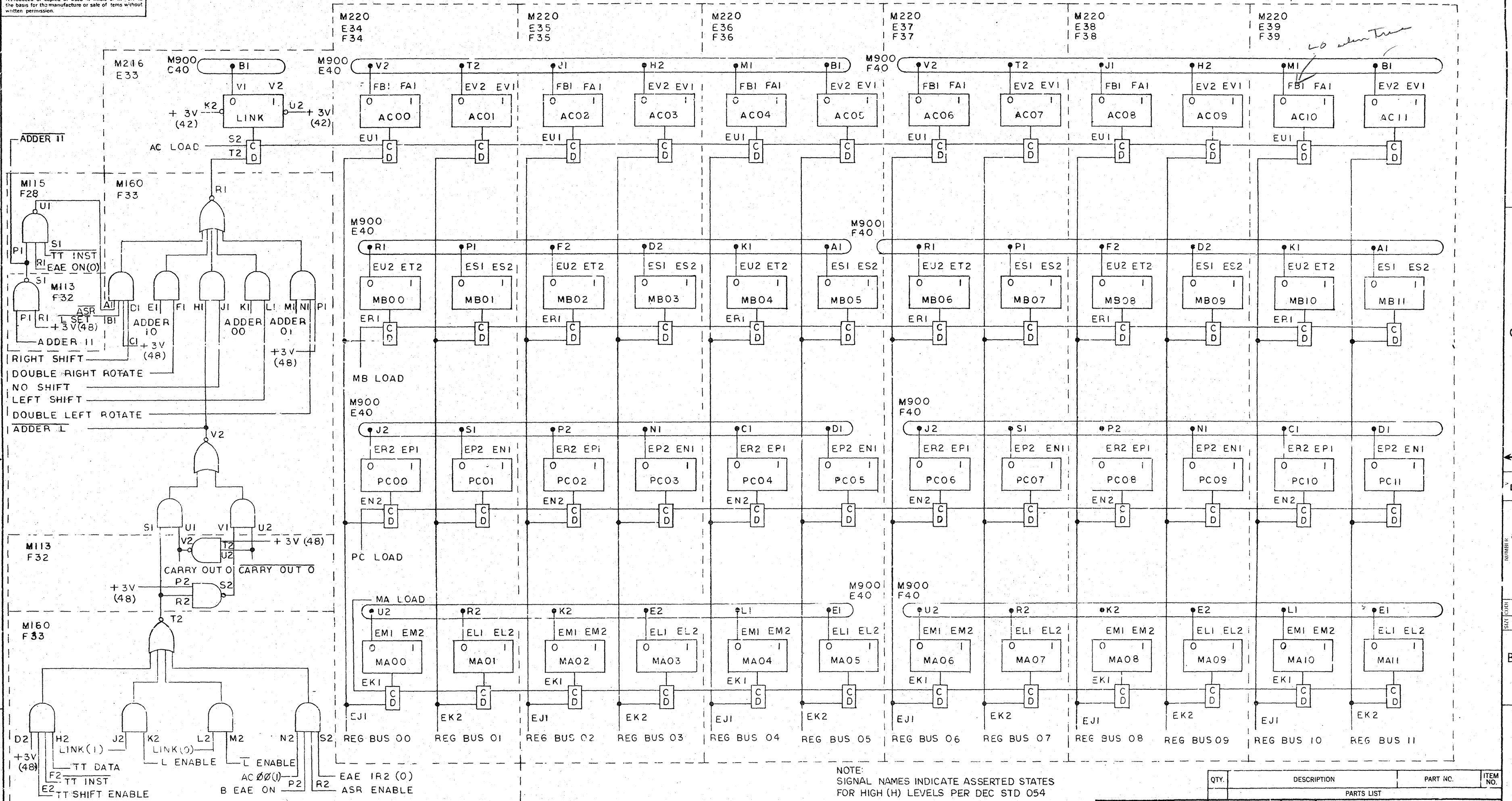


NOTE:  
SIGNAL NAMES INDICATE  
ASSERTED STATES FOR HIGH (H)  
LEVELS PER DEC STD 054

CHK	REVISIONS	CHANGE NO.	REV.
1	ECO	9/10/67	A
2	ECO	11/14/67	B
3	ECO	11/14/67	C
4	ECO	11/14/67	D
5	ECO	11/14/67	E
6	ECO	11/14/67	F
7	ECO	11/14/67	G
8	ECO	11/14/67	H
9	ECO	11/14/67	I
10	ECO	11/14/67	J
11	ECO	11/14/67	K
12	ECO	11/14/67	L

QTY.	DESCRIPTION	PART NO.	ITEM NO.
PARTS LIST			
UNLESS OTHERWISE SPECIFIED		DBS 81-00081	
UNLESS OTHERWISE SPECIFIED		DATE 2/12/67	
DIMENSION IN INCHES		DATE 2/12/67	
TOLERANCES		DATE 2/12/67	
DECIMALS ± .005	FRACTIONS ± 1/64	ANGLES ± 0°30'	DATE 2/12/67
FINAL SURFACE QUALITY		DATE 2/12/67	
REMOVE BURRS AND BREAK SHARP CORNERS		DATE 2/12/67	
MATERIAL		FIRST USED ON	
FINISH		E-UA-81-0-0	
SCALE		SHEET 1 OF 1	
TITLE		INTERRUPT & BREAK CONTROL	
SIZE CODE		NUMBER	
D.B.S.		81-0-7	
DIST.		REV. L	

This drawing and specifications, herein, are the property of Digital Equipment Corporation and shall not be reproduced or copied in whole or in part as the basis for the manufacture or sale of items without written permission.



NOTE: SIGNAL NAMES INDICATE ASSERTED STATES FOR HIGH (H) LEVELS PER DEC STD 054

REV.	CHANGE NO.	DATE	BY	CHKD.
A	1	7-6-67	Berry Hill	
B	2	8-1-67	R. J. O'Connell	
C	3	8-1-67	R. J. O'Connell	
D	4	8-1-67	R. J. O'Connell	
E	5	8-1-67	R. J. O'Connell	

UNLESS OTHERWISE SPECIFIED DIMENSION IN INCHES TOLERANCES DECIMALS FRACT ONS ANGLES ± .005 ± .04 ± 0'30"	DRN: R. J. O'Connell CHKD: R. J. O'Connell ENG: C. de Coster PROJ. ENG: C. de Coster PROD: R. J. O'Connell	DATE: 1/5/66 DATE: 8-1-67 DATE: 10-11-67 DATE: 12-11-67 DATE: 12-21-67	<b>digital</b> EQUIPMENT CORPORATION MAYNARD, MASSACHUSETTS TITLE: MAJOR REGISTERS PARTS LIST FIRST USED ON: E-UA-8I-0-0 SCALE: SHEET 1 OF 1 SIZE CODE: DBS NUMBER: 8I-0-8 DIST.
--	--	--	--



This drawing and specifications, herein, are the property of Digital Equipment Corporation. It shall not be reproduced or copied or used in whole or in part as the basis for the manufacture or sale of items without written permission.

NOTE:  
SIGNAL NAMES INDICATE  
ASSERTED STATES FOR HIGH (H)  
LEVELS PER DEC STD 054

D

D

C

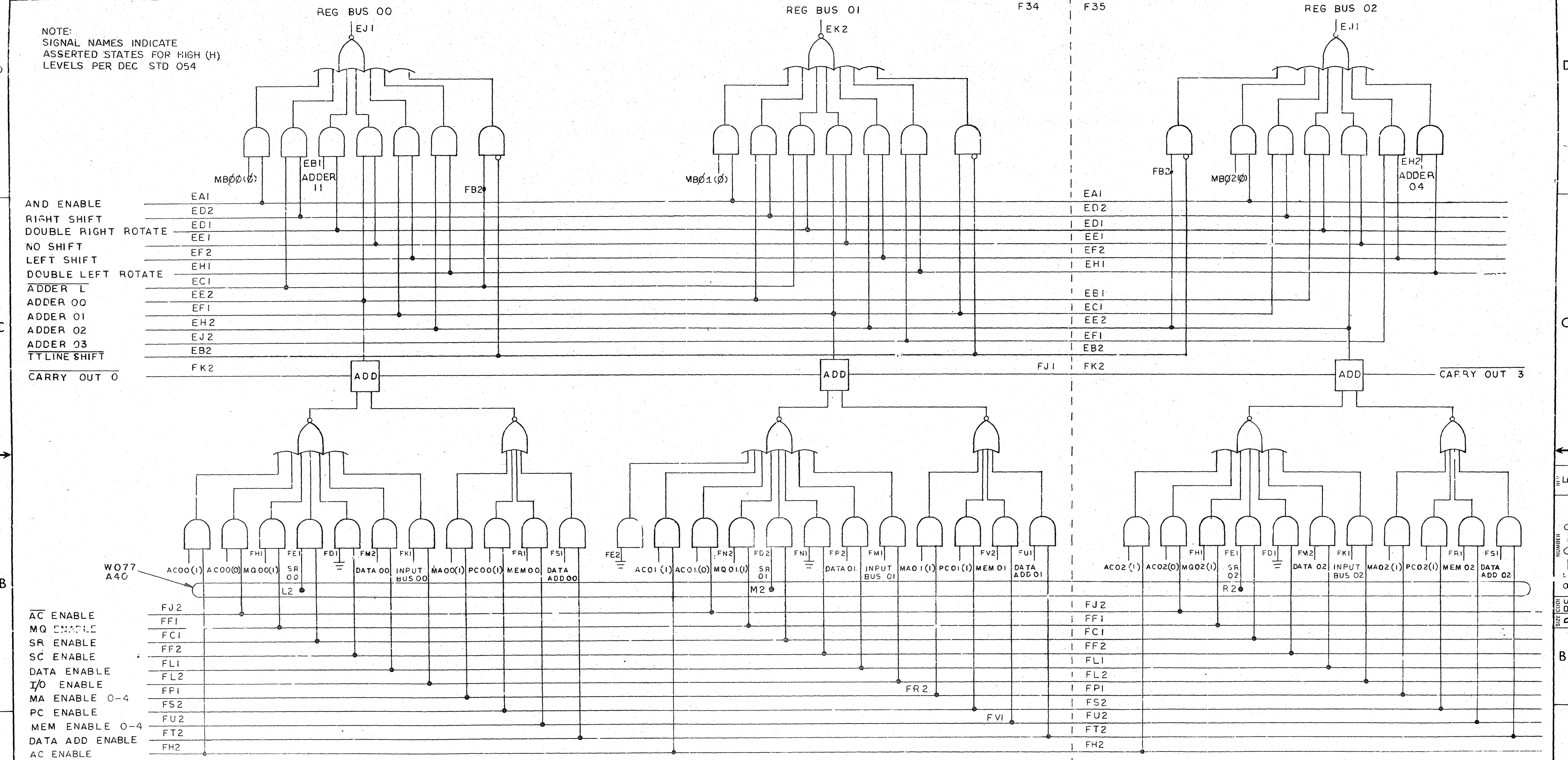
C

B

B

A

A



REV	CHANGE NO.	DATE	BY	CHKD.
A	1	11/14/62	W. J. ...	...
B	2	1/20/63	...	...
C	3	...	...	...
D	4	...	...	...
E	5	...	...	...

UNLESS OTHERWISE SPECIFIED		DATE	1/5/66
UNLESS OTHERWISE SPECIFIED		DATE	2-11-67
DIMENSION IN INCHES		DATE	10-10-67
TOLERANCES		DATE	10-10-67
DECIMALS	FRACTIONS	ANGLES	± 0°30'
± .005	± 1/64	± 0°30'	
FINAL SURFACE QUALITY		DATE	10-10-67
REMOVE BURRS AND BREAK SHARP CORNERS		DATE	10-10-67
MATERIAL		DATE	10-10-67
FINISH		DATE	10-10-67

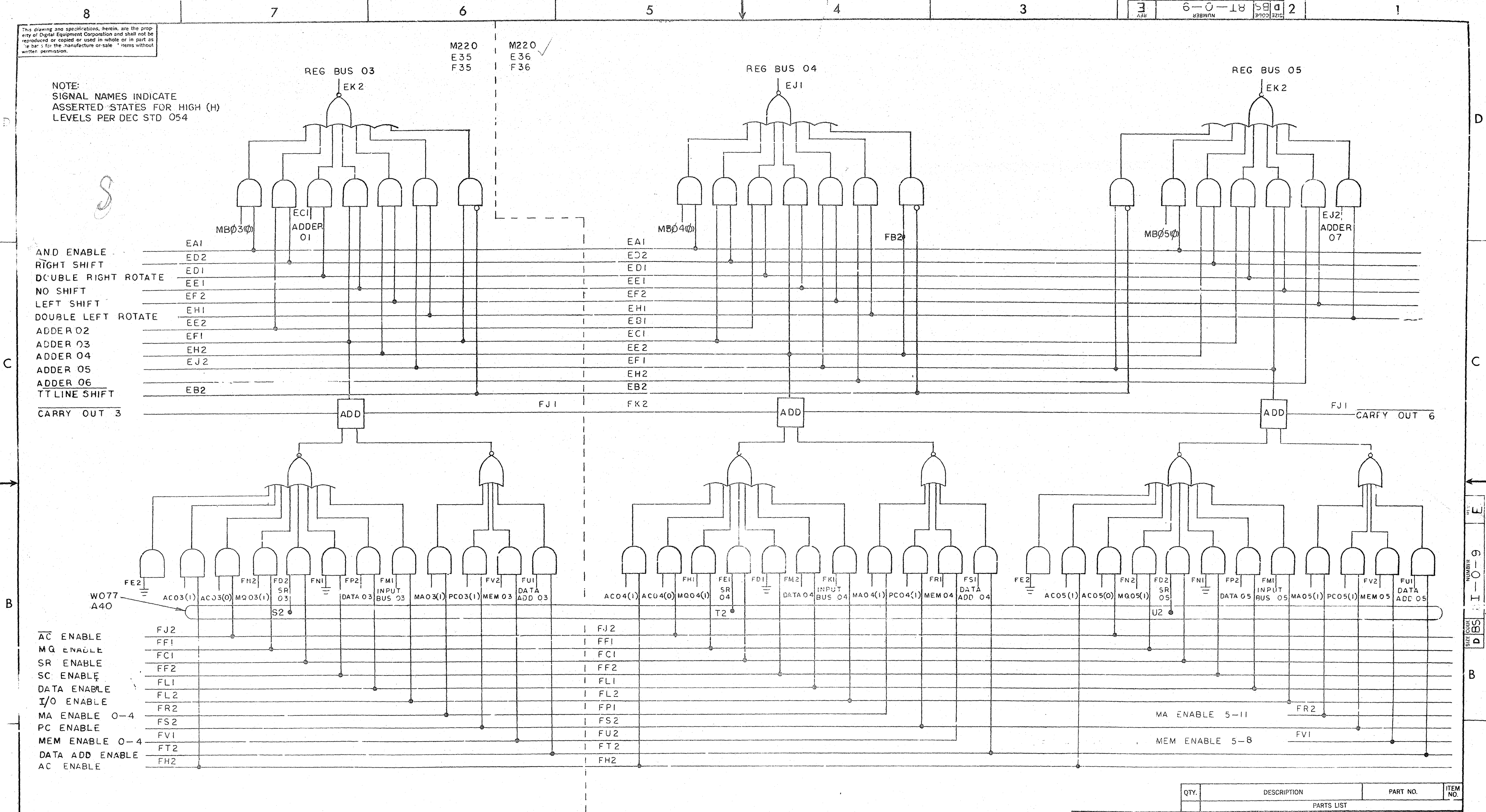
QTY.	DESCRIPTION	PART NO.	ITEM NO.
	PARTS LIST		
	digital EQUIPMENT CORPORATION		
TITLE			
MAJOR REGISTER GATING			
SCALE	SHEET	OF	REV.
1	1	4	E

This drawing and specifications, herein, are the property of Digital Equipment Corporation and shall not be reproduced or copied or used in whole or in part as a basis for the manufacture or sale of items without written permission.

NOTE:  
SIGNAL NAMES INDICATE  
ASSERTED STATES FOR HIGH (H)  
LEVELS PER DEC STD 054

M220  
E35  
F35

M220  
E36  
F36



REV.	QTY.	DESCRIPTION	PARTS LIST	PART NO.	ITEM NO.
1					
2					
3					
4					
5					
6					
7					
8					

UNLESS OTHERWISE SPECIFIED		DATE	1/5/66
DIMENSION IN INCHES		DATE	11-17
TOLERANCES		DATE	10-1-67
DECIMALS ± 0.05	FRACTIONS ± 1/64	ANGLES ± 0°30'	DATE
FINAL SURFACE QUALITY		DATE	10-10-67
REMOVE BURRS AND BREAK SHARP CORNERS		DATE	8-21-67
MATERIAL		FIRST USED ON	
FINISH		E-JA-8I-0-0	
SCALE		SHEET 2 OF 4	
DIST.		DIBS 8I-0-9	

TITLE		MAJOR REGISTER GATING	
EQUIPMENT CORPORATION		MAYNARD, MASSACHUSETTS	
SIZE CODE	NUMBER	REV	
DIBS 8I-0-9		E	



This drawing and specifications, herein, are the property of Digital Equipment Corporation and shall not be reproduced or copied or used in whole or in part as a basis for the manufacture or sale of items without written permission.

NOTE: SIGNAL NAMES INDICATE ASSERTED STATES FOR HIGH (H) LEVELS PER DEC STD 054

REG BUS 09

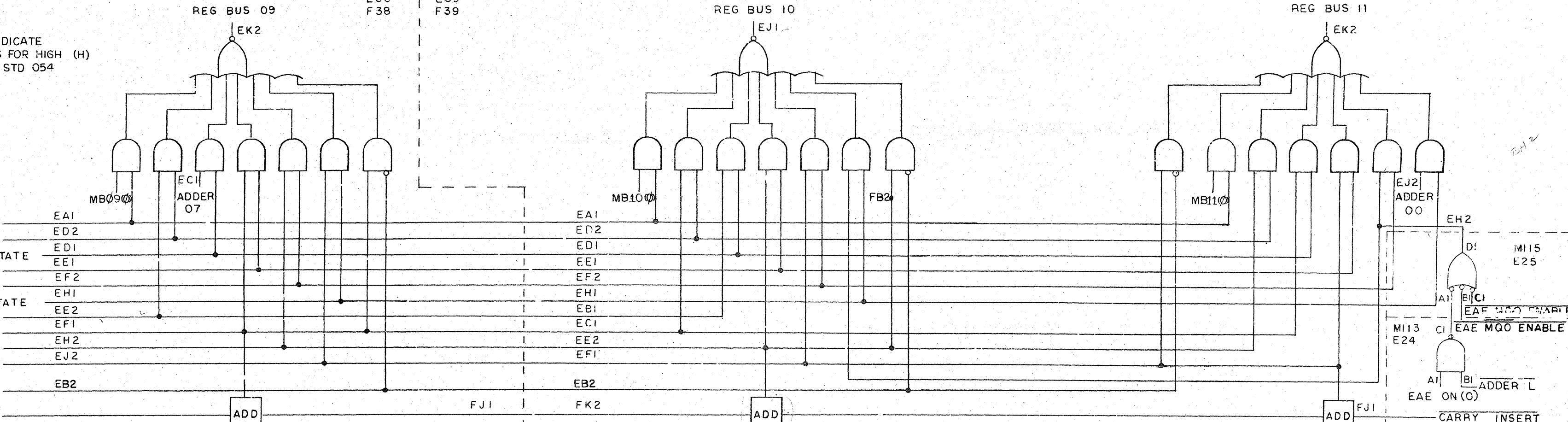
M220  
E38  
F38

M220  
E39  
F39

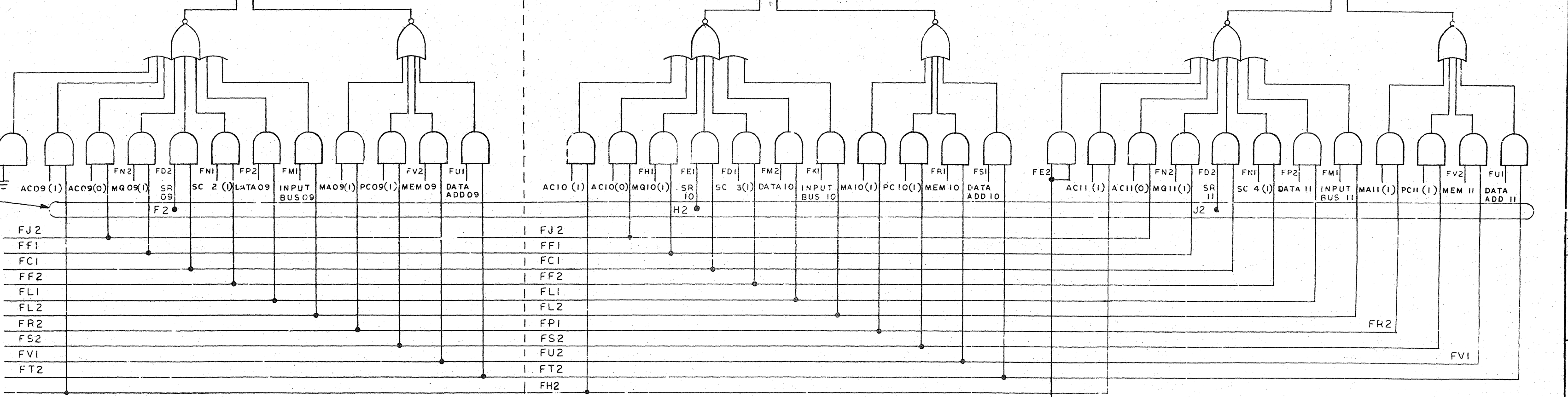
REG BUS 10

REG BUS 11

AND ENABLE  
RIGHT SHIFT  
DOUBLE RIGHT ROTATE  
NO SHIFT  
LEFT SHIFT  
DOUBLE LEFT ROTATE  
ADDER 08  
ADDER 09  
ADDER 10  
ADDER 11  
TT LINE SHIFT  
CARRY OUT 9



AC ENABLE  
MQ ENABLE  
SR ENABLE  
SC ENABLE  
DATA ENABLE  
I/O ENABLE  
MA ENABLE 5-11  
PC ENABLE  
MEM ENABLE 9-11  
DATA ADD ENABLE  
AC ENABLE



TT CARRY INSERT 8

Table with columns for REVISIONS, CHANGE NO., and CHK.

UNLESS OTHERWISE SPECIFIED... digital EQUIPMENT CORPORATION... MAJOR REGISTER GATING... SCALE 4 OF 4... SHEET 2 OF 4

This drawing and its specifications, herein, are the property of Digital Equipment Corporation and shall not be reproduced or copied in whole or in part as the basis for the manufacture of any items without written permission.



NOTES:  
 1. FOR KA81 SUBSTITUTE  
 D-BS-KA81-0-1 FOR THIS PRINT  
 2. SIGNAL NAMES INDICATE ASSERTED STATES FOR HIGH (H) LEVELS PER DEC STD 054

REV.	NO.	DATE	BY	CHKD.
A	1	11/17/68	M. ARSENAULT	
B	2	11/17/68	M. ARSENAULT	
C	3	11/17/68	M. ARSENAULT	
D	4	11/17/68	M. ARSENAULT	
E	5	11/17/68	M. ARSENAULT	
F	6	11/17/68	M. ARSENAULT	
G	7	11/17/68	M. ARSENAULT	
H	8	11/17/68	M. ARSENAULT	
I	9	11/17/68	M. ARSENAULT	
J	10	11/17/68	M. ARSENAULT	
K	11	11/17/68	M. ARSENAULT	
L	12	11/17/68	M. ARSENAULT	
M	13	11/17/68	M. ARSENAULT	
N	14	11/17/68	M. ARSENAULT	
O	15	11/17/68	M. ARSENAULT	
P	16	11/17/68	M. ARSENAULT	
Q	17	11/17/68	M. ARSENAULT	
R	18	11/17/68	M. ARSENAULT	
S	19	11/17/68	M. ARSENAULT	
T	20	11/17/68	M. ARSENAULT	
U	21	11/17/68	M. ARSENAULT	
V	22	11/17/68	M. ARSENAULT	
W	23	11/17/68	M. ARSENAULT	
X	24	11/17/68	M. ARSENAULT	
Y	25	11/17/68	M. ARSENAULT	
Z	26	11/17/68	M. ARSENAULT	

UNLESS OTHERWISE SPECIFIED DIMENSION IN INCHES TOLERANCES DECIMALS FRACTIONS ANGLES = .005 = 1/64 = 0.030 FINAL SURFACE QUALITY REMOVE BURRS AND BREAK SHARP CORNERS	DRN DATE CHK'D DATE ENG DATE PROJ. ENG. DATE PRJ.D. DATE	DATE DATE DATE DATE DATE DATE DATE DATE DATE DATE	digital EQUIPMENT CORPORATION WATYARD, MASSACHUSETTS
MATERIAL	FIRST USED ON E-UA-81-0-0	SIZE CODE DIBS 81-0-10	TITLE I/O LEVEL CONVERTERS
FINISH	SCALE	SHEET 1 OF 1	NUMBER P

This drawing and specifications, herein, are the property of Digital Equipment Corporation and shall not be reproduced or copied or used in whole or in part as the basis for the manufacture or sale of items without written permission.

NOTE:  
SIGNAL NAMES INDICATE  
ASSERTED STATES FOR HIGH (H)  
LEVELS PER DEC STD 054

D

C

B

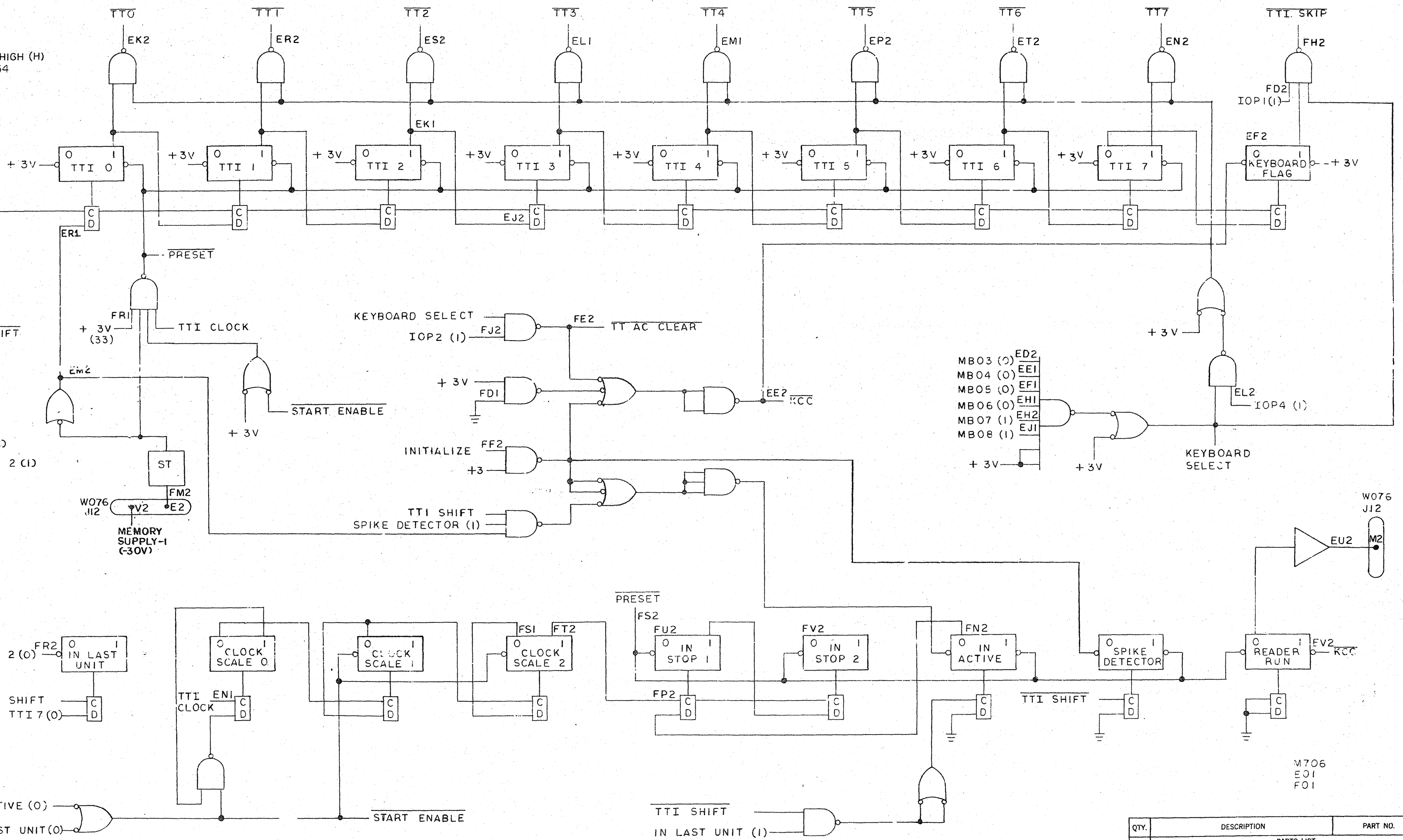
A

D

C

B

A

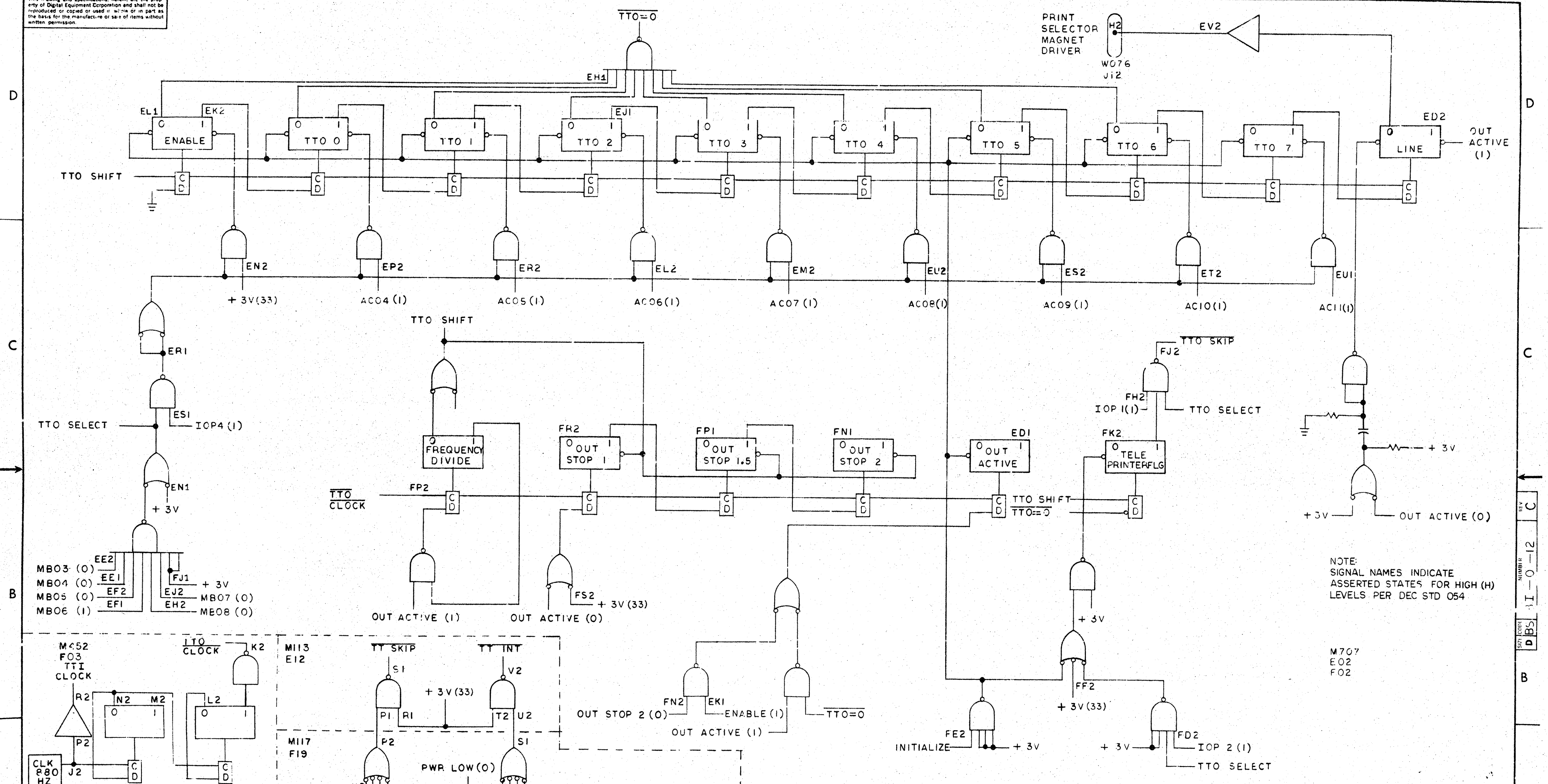


REV	CHG	NO	DATE	BY
1				
2				
3				
4				
5				
6				
7				
8				

QTY.	DESCRIPTION	PART NO.	ITEM NO.
PARTS LIST			
UNLESS OTHERWISE SPECIFIED			
DIMENSION IN INCHES			
TOLERANCES			
DECIMALS	FRACTIONS	ANGLES	
± .005	± 1/64	± 0°30'	
FINAL SURFACE QUALITY			
REMOVE BURRS AND BREAK SHARP CORNERS			
MATERIAL		FIRST USED ON	
FINISH		E-UA-8I-0-0	
SCALE		SHEET 1 OF 1	
DIST.		REV D	

digital EQUIPMENT CORPORATION  
MAYNARD, MASSACHUSETTS  
TITLE  
**TELETYPE RECEIVER**

This drawing and specifications herein are the property of Digital Equipment Corporation and shall not be reproduced or copied or used in whole or in part as the basis for the manufacture or sale of items without written permission.

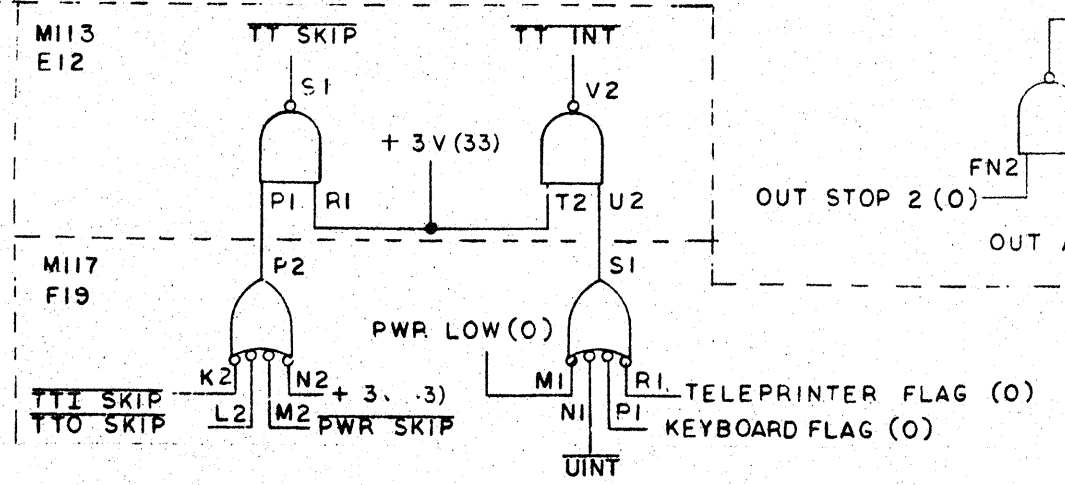


NOTE:  
 SIGNAL NAMES INDICATE  
 ASSERTED STATES FOR HIGH (H)  
 LEVELS PER DEC STD 054

M707  
 E02  
 F02

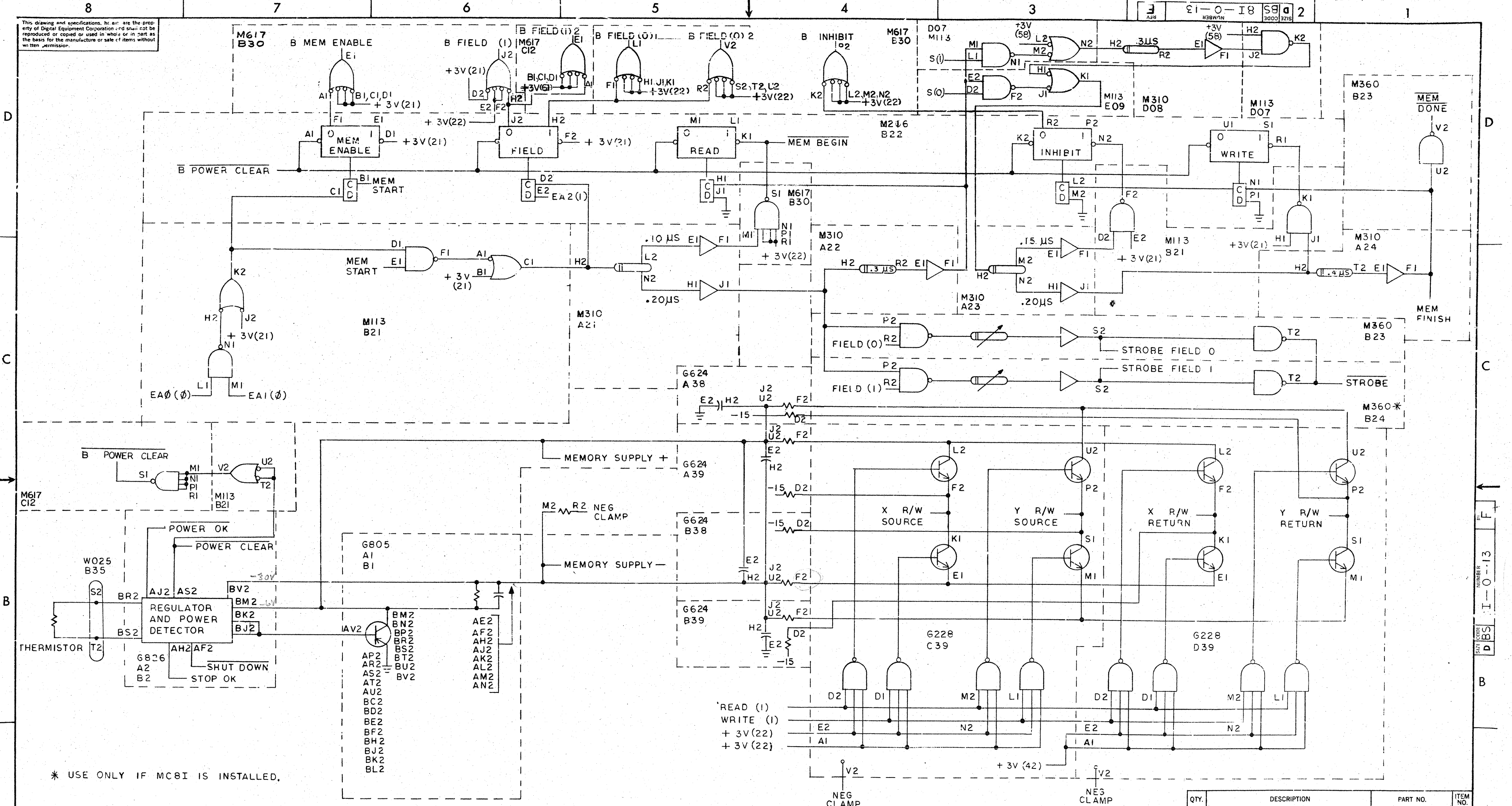
REVISIONS

REV	CHANGE NO.	DATE
A	1	11/10/67
B	2	11-20-67
C	3	12-16-67
D	4	1-16-68
E	5	1-16-68
F	6	1-16-68
G	7	1-16-68
H	8	1-16-68
I	9	1-16-68
J	10	1-16-68
K	11	1-16-68
L	12	1-16-68
M	13	1-16-68
N	14	1-16-68
O	15	1-16-68
P	16	1-16-68
Q	17	1-16-68
R	18	1-16-68
S	19	1-16-68
T	20	1-16-68



QTY.	DESCRIPTION	PART NO.	ITEM NO.
	PARTS LIST		
	UNLESS OTHERWISE SPECIFIED		
	UNLESS OTHERWISE SPECIFIED		
	DIMENSION IN INCHES		
	TOLERANCES		
	DECIMALS FRACTIONS ANGLES		
	= .005 = 1/64 = 0°30'		
	FINAL SURFACE QUALITY		
	REMOVE BURRS AND BREAK SHARP CORNERS		
	MATERIAL		
	FINISH		
	DRN. DATE		
	CHK'D. DATE		
	ENG. DATE		
	PROJ. ENG. DATE		
	PROF. DATE		
	FIRST USED ON		
	E-UA-81-0-0		
	SCALE		
	SHEET OF		
	TITLE		
	TELETYPE TRANSMITTER		
	SIZE CODE		
	DBS 81-0-12		
	NUMBER		
	REV.		
	C		

This drawing and specifications, in any form, are the property of Digital Equipment Corporation and shall not be reproduced or copied or used in whole or in part as the basis for the manufacture or sale of items without written permission.



\* USE ONLY IF MC8I IS INSTALLED.

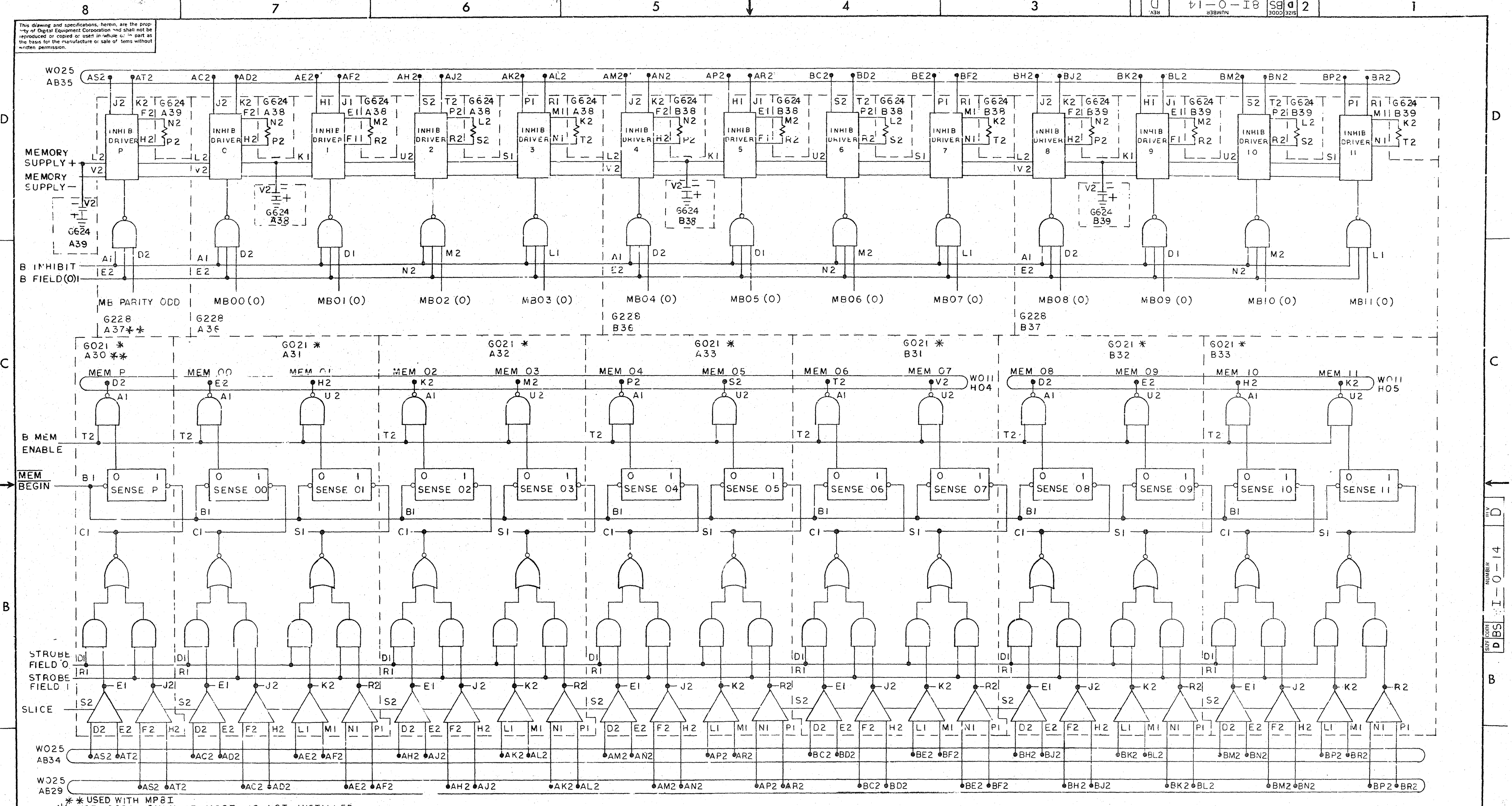
REV	NO.	DATE	BY	CHKD
1	1	11/16/67	J.E. O'LOUGHLIN	J.E. O'LOUGHLIN
2	2	11/16/67	J.E. O'LOUGHLIN	J.E. O'LOUGHLIN
3	3	11/16/67	J.E. O'LOUGHLIN	J.E. O'LOUGHLIN
4	4	11/16/67	J.E. O'LOUGHLIN	J.E. O'LOUGHLIN
5	5	11/16/67	J.E. O'LOUGHLIN	J.E. O'LOUGHLIN
6	6	11/16/67	J.E. O'LOUGHLIN	J.E. O'LOUGHLIN
7	7	11/16/67	J.E. O'LOUGHLIN	J.E. O'LOUGHLIN
8	8	11/16/67	J.E. O'LOUGHLIN	J.E. O'LOUGHLIN

NOTE:  
SIGNAL NAMES INDICATE  
ASSERTED STATES FOR HIGH(+) LEVELS PER DEC STD 054

QTY.	DESCRIPTION	PART NO.	ITEM NO.
PARTS LIST			
digital EQUIPMENT CORPORATION MAYNARD, MASSACHUSETTS			
TITLE MEMORY CONTROL			
UNLESS OTHERWISE SPECIFIED		UNLESS OTHERWISE SPECIFIED	
DIMENSION IN INCHES		DIMENSION IN INCHES	
TOLERANCES		TOLERANCES	
DECIMALS FRACTIONS ANGLES		DECIMALS FRACTIONS ANGLES	
= .005 = 1/64 = 0°30'		= .005 = 1/64 = 0°30'	
FINAL SURFACE QUALITY			
REMOVE BURRS AND BREAK SHARP CORNERS			
MATERIAL			
FINISH			
FIRST USED ON			
E-UA-8I-0-0			
SCALE		NUMBER	
SHEET 1 OF 1		DIST. 8I-0-13	
REV. F		REV. F	



This drawing and specifications, herein, are the property of Digital Equipment Corporation and shall not be reproduced or copied or used in whole or in part as the basis for the manufacture or sale of items without written permission.



\* \*\* USED WITH MP81  
\* USE G020 ONLY IF MCRI IS NOT INSTALLED

REV.	NO.	DATE	BY	CHK'D.
A	1	11/3/67	R. Bernier	
B	1	8-11-67		
C	1	10-10-67		
D	1	10-10-67		

NOTE:  
SIGNAL NAMES INDICATE  
ASSERTED STATES FOR  
HIGH(H) LEVELS PER DEC  
STD 054

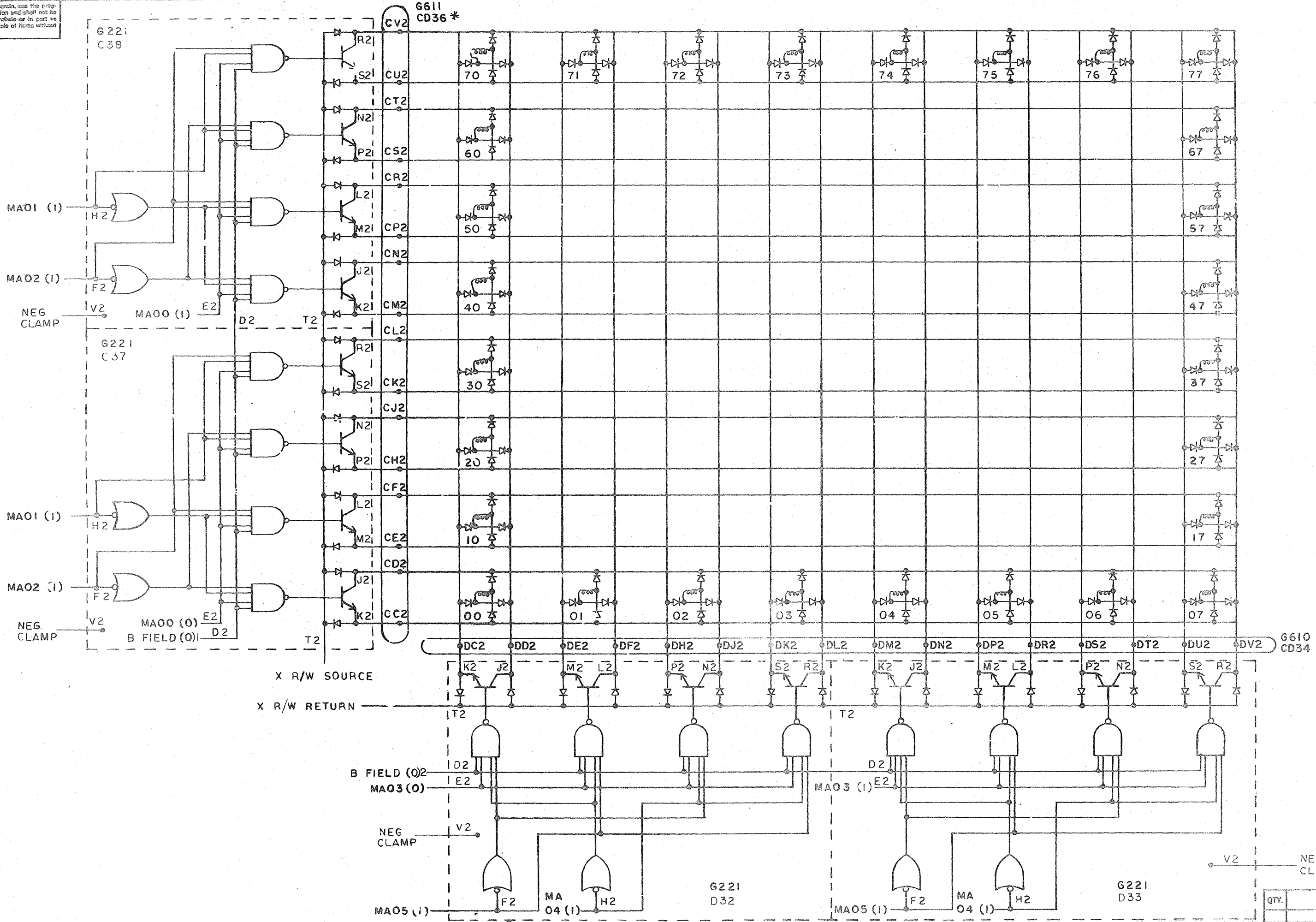
UNLESS OTHERWISE SPECIFIED		DRN. 11/3/67	DATE 11/3/67	DIGITAL EQUIPMENT CORPORATION MAYNARD, MASSACHUSETTS
UNLESS OTHERWISE SPECIFIED		CHK'D. 11/3/67	DATE 8-11-67	
TOLERANCES		ENG. 10-10-67	DATE 10-10-67	TITLE <b>SENSE AMPS &amp; INHIBIT DRIVERS</b>
DECIMALS FRACTIONS ANGLES		PROJ. ENG. 10-10-67	DATE 10-10-67	
MATERIAL		PROD. 10-10-67	DATE 10-10-67	FIRST USED ON E-UA-8I-0-0
FINISH		SCALE	SHEET 1 OF 1	
SIZE CODE		NUMBER		REV.
DBS 8I-0-14		D		

This drawing and specifications, herein, are the property of Digital Equipment Corporation and shall not be reproduced or copied in whole or in part without the written permission of Digital Equipment Corporation.

- NOTES:  
 1 \* G611 IN CD36 IS REPLACED WITH A G612 IF MP81 IS INSTALLED  
 2 SIGNAL NAMES INDICATE ASSERTED STATES FOR HIGH (H) LEVELS PER DEC STD 054

D  
C  
B  
A

D  
C  
B  
A



REV	DATE	BY	CHKD
1	11-22-67	J. F. O'LOUGHLIN	J. F. O'LOUGHLIN
2	12-15-67	J. F. O'LOUGHLIN	J. F. O'LOUGHLIN
3	1-11-68	J. F. O'LOUGHLIN	J. F. O'LOUGHLIN

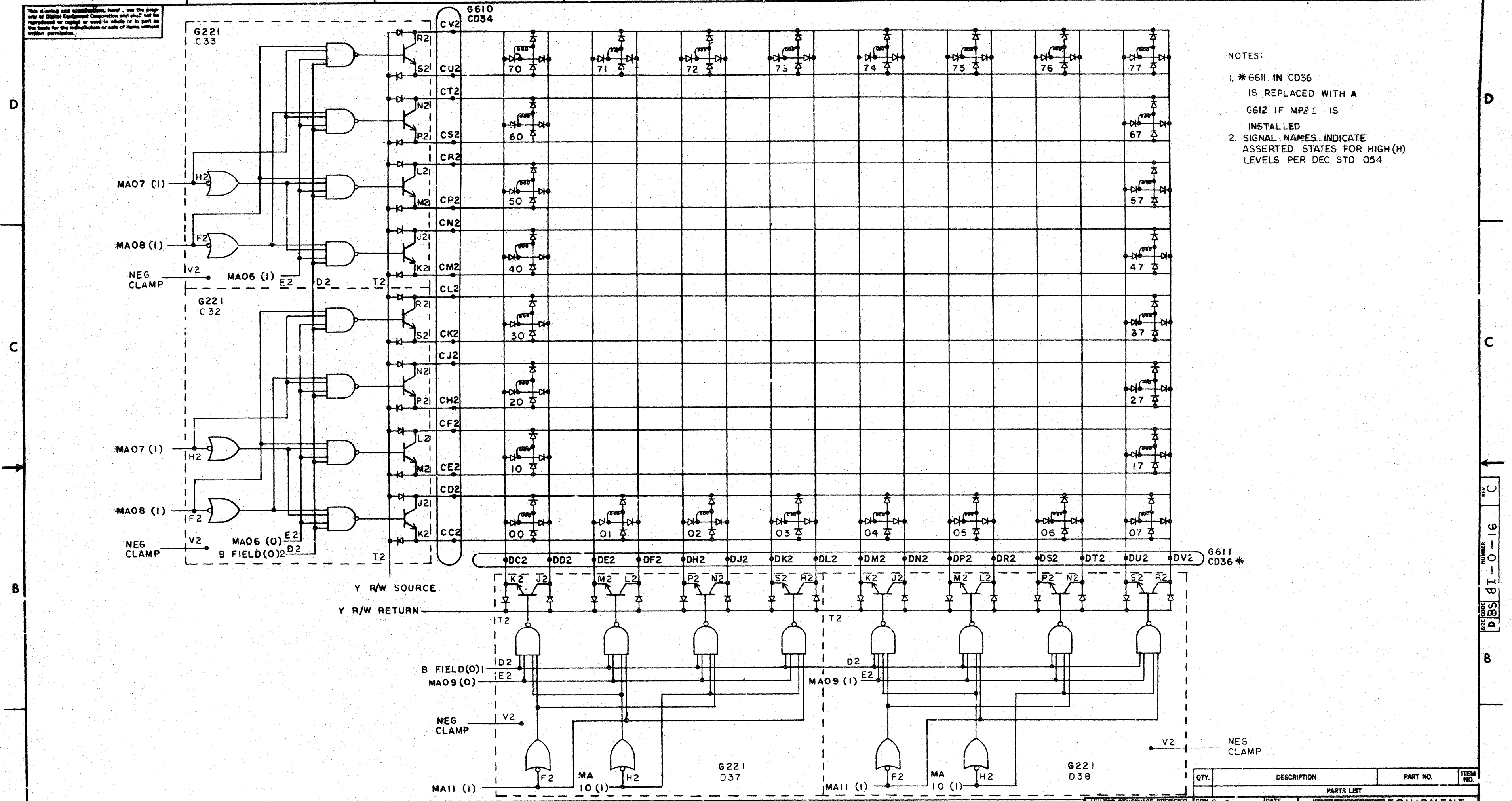
UNLESS OTHERWISE SPECIFIED DIMENSIONS IN INCHES		DATE 3/7/67	
TOLERANCES		DATE 3-1-67	
DECIMALS ± .005	FRACTIONS ± 1/64	ANGLES ± 0°30'	DATE 10-10-67
FINAL SURFACE QUALITY REMOVE BURRS AND BREAK SHARP CORNERS		DATE 10-10-67	
MATERIAL		DATE 10-21-67	
FINISH		DATE	
FIRST USED ON		DATE	
E-UA-81-0-0		DATE	
SCALE		DATE	
SHEET 1 OF 1		DATE	
INSTR.		DATE	

QTY.	DESCRIPTION	PART NO.	ITEM NO.

EQUIPMENT CORPORATION MAYNARD, MASSACHUSETTS	
TITLE X AXIS SELECTION	
REV. NO. C	NUMBER 81-0-15

This drawing and specifications, hereinafter referred to as the drawings, are the property of Digital Equipment Corporation and shall not be reproduced or copied or used in whole or in part as the basis for the manufacture or sale of items without written permission.

- NOTES:
- \* G611 IN CD36 IS REPLACED WITH A G612 IF MP8 I IS INSTALLED
  - SIGNAL NAMES INDICATE ASSERTED STATES FOR HIGH (H) LEVELS PER DEC STD 054



REV.	CHG.	NO.	DATE	BY	CHK.
1	1	1	11/14/67	JF O'LOUGHLIN	
2	1	1	11/14/67	JF O'LOUGHLIN	
3	1	1	11/14/67	JF O'LOUGHLIN	

UNLESS OTHERWISE SPECIFIED DIMENSION IN INCHES TOLERANCES DECIMALS FRACTIONS ANGLES ± .005 ± 1/64 ± 0°30'		DATE 2/7/67		DIGITAL EQUIPMENT CORPORATION MAYNARD, MASSACHUSETTS
MATERIAL		DATE 10-10-67		
FINISH		DATE 10-10-67		TITLE <b>Y AXIS SELECTION</b>
SCALE		DATE 10-10-67		
SHEET 1 OF 1		FIRST USED ON E-4A-81-0-0		SIZE CODE D85 81-0-16
		DIST.		REV. C

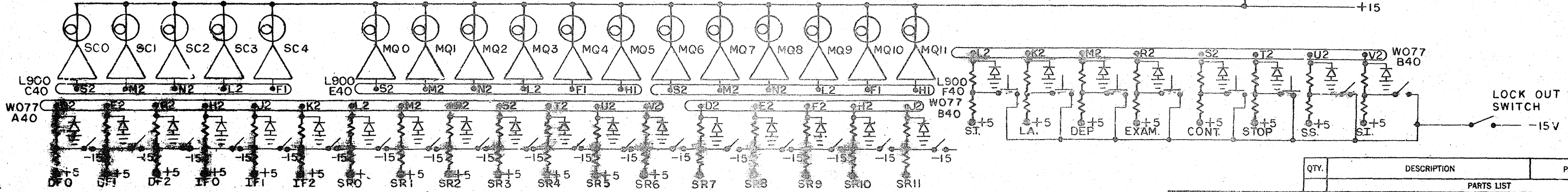
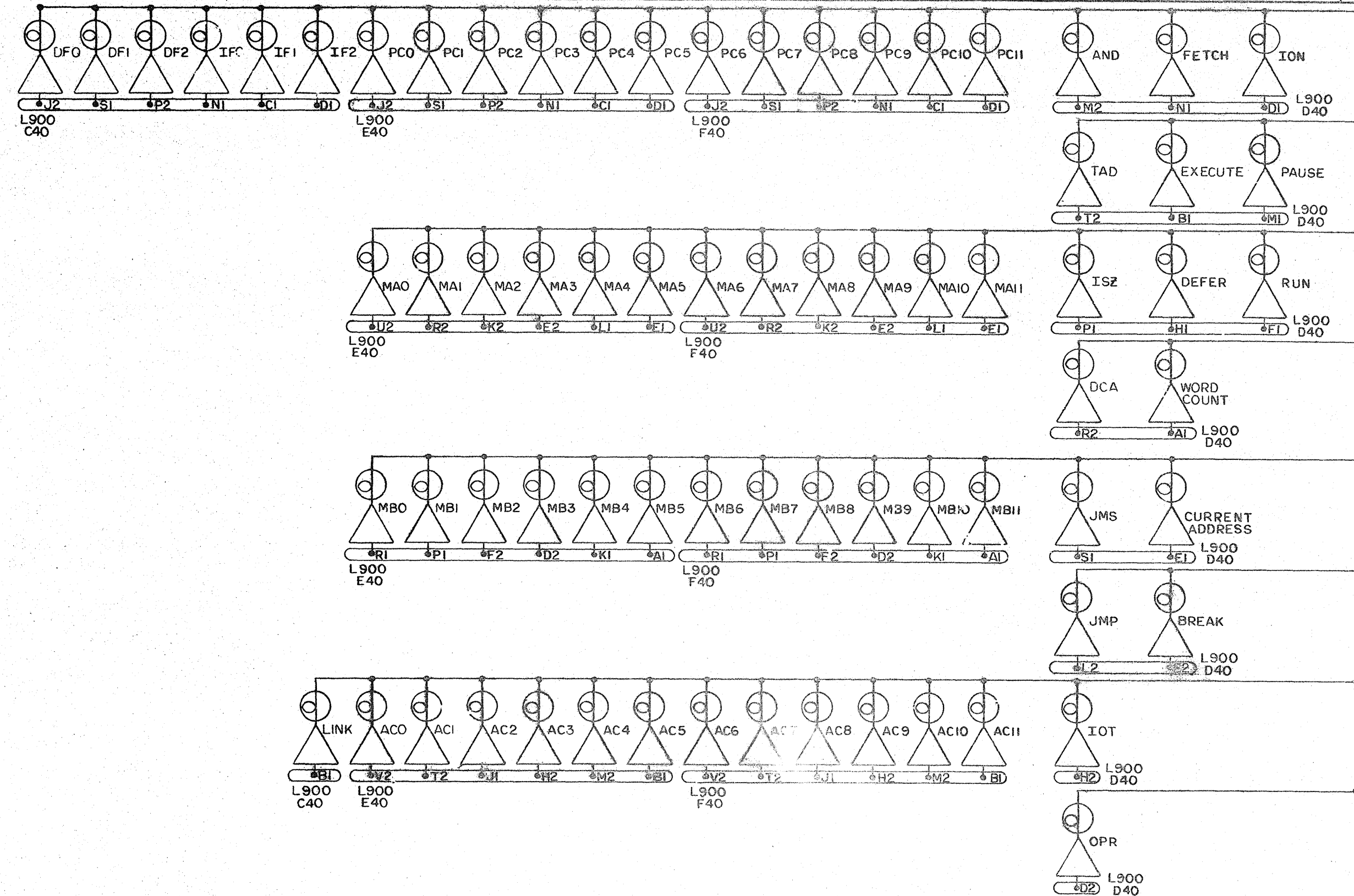
This drawing and specifications, herein, are the property of Digital Equipment Corporation and shall not be reproduced or copied or used in whole or in part as the basis for the manufacture or sale of items without written permission.

D

C

B

A



REV.	CHG. NO.	DATE
1	81-00026	12-22-65
2		
3		

QTY.	DESCRIPTION	PART NO.	ITEM NO.
	PARTS LIST		
	UNLESS OTHERWISE SPECIFIED DIMENSION IN INCHES TOLERANCES DECIMALS FRACTIONS ANGLES ± .005 ± 1/64 ± 0°30' FINAL SURFACE QUALITY 1 REMOVE BURRS AND BREAK SHARP CORNERS		
	MATERIAL		
	FINISH		
	DATE 12-22-65		
	DATE 1-5-66		
	DATE 2-22-66		
	FIRST USED ON		
	SCALE	NUMBER	REV.
	SHEET OF	81-0-27	A

REV. A  
NUMBER 81-0-27  
SIZE CODE DCS



