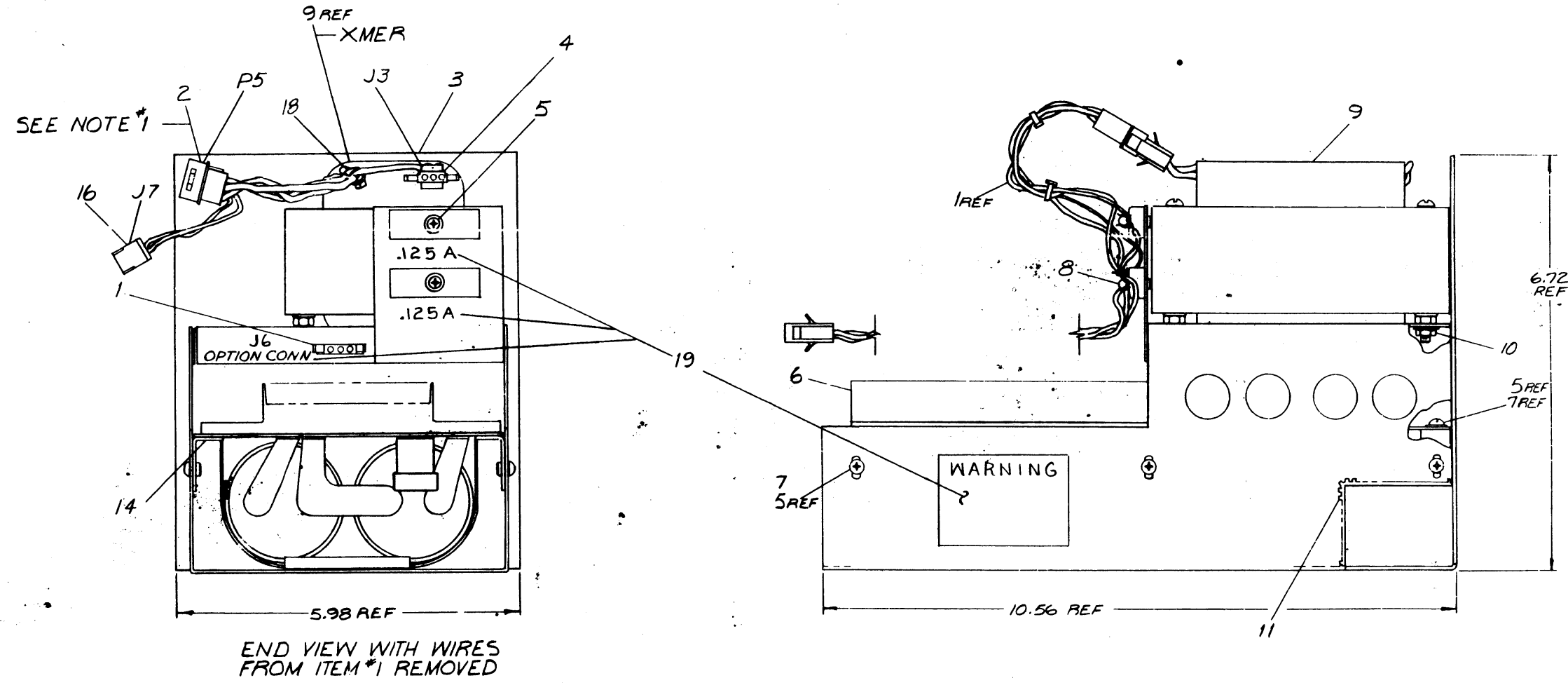


The drawing and specifications, herein, are the property of Digital Equipment Corporation and shall not be reproduced or copied or used in whole or in part as the basis for the manufacture or sale of items without written permission.

WIRE TABLE						
ITEM NO.	DESCRIPTION	FROM:	TO:			
NO.	AVG	COLOR	CONNECTION	WITH	CONNECTION	WITH
9		BLU	XMER	-	J3-3	12
		BLU		-	J3-2	12
		BLU		-	J3-1	12
		RED		-	P5-3	13
		RED		-	P5-4	13
		WHT		-	P5-1	13
9		BLK	XMER	-	P5-2	13
17	18	BLK	J7-1	12	P5-5	13
17	18	BLK	J7-2	12	P5-6	13

LENGTH OF WIRE TO BE 4 IN ± 1/2 IN

NOTES:  
1. LENGTH OF WIRES TERMINATING TO P5 (ITEM 2), ARE TO BE 8 INCHES ± 1/2 INCH.



QTY.	DESCRIPTION	PART NO.	ITEM NO.
1	DECAL	A DC-709651-0-0	19
1	TIE WRAP PADUIT SST-18	9007031	18
A/R	WIRE 13 AWG TEF INS	9107360-00	17
1	CONN MATE-N-LOK (FEM)	1210821-02	16
1	STRAIN RELIEF	9008442	15
6	BRKT. SUPPORT ETCH BD	CIA-709925-0-0	14
6	CONTACT, MATE-N-LOK (MALE)	1209378-01	13
5	CONTACT, MATE-N-LOK (FEM)	1209379-01	12
A/R	SACCMET	9007621	11
4	NUT, KEP # 8-32	9006563	10
1	XMER (TRANSFORMER)	K-10601-02	9
2	FUSE 1/8AMP (3AG) S.B.	9008527	8
12	WASHER, INT TOOTH LOCK #6	9006633	7
1	REGULATOR BD ASSY	E-1A-5A097280-0	6
10	SCR, PHIL PAN HD # 6-32 X 25	9006020-1	5
1	CONN, MATE-N-LOK 3 CKT	1209350-03	4
1	CHASSIS, P.S.	D-1A-7093160-0	3
1	CONN, MATE-N-LOK 6 CKT	1209351-06	2
1	HARNASS, SECONDARY	D-1A-7008534-00	1

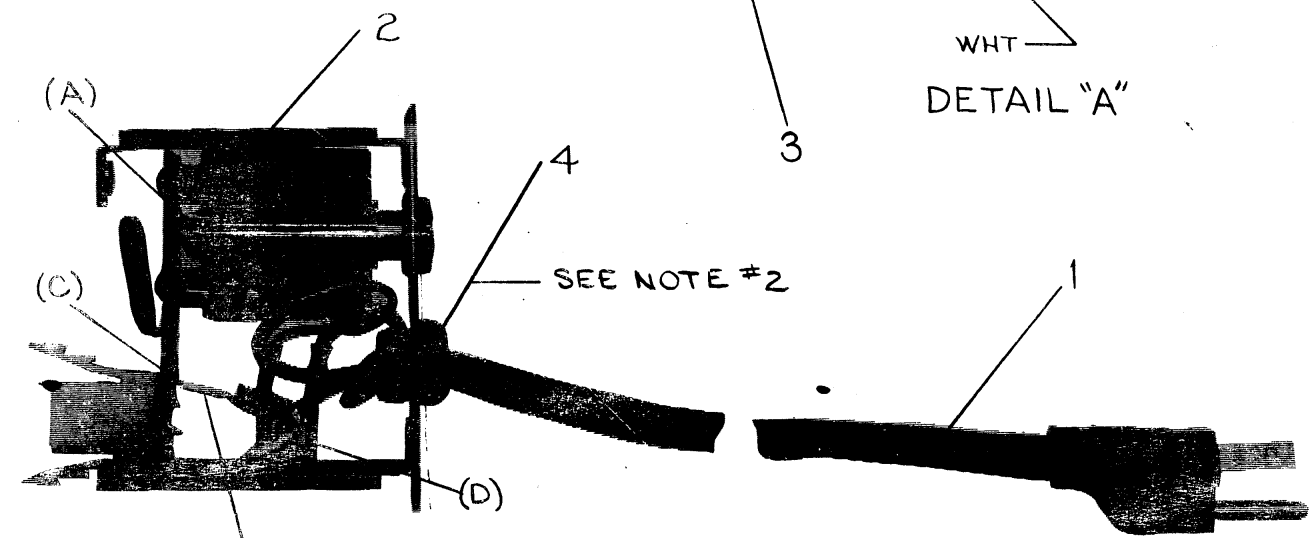
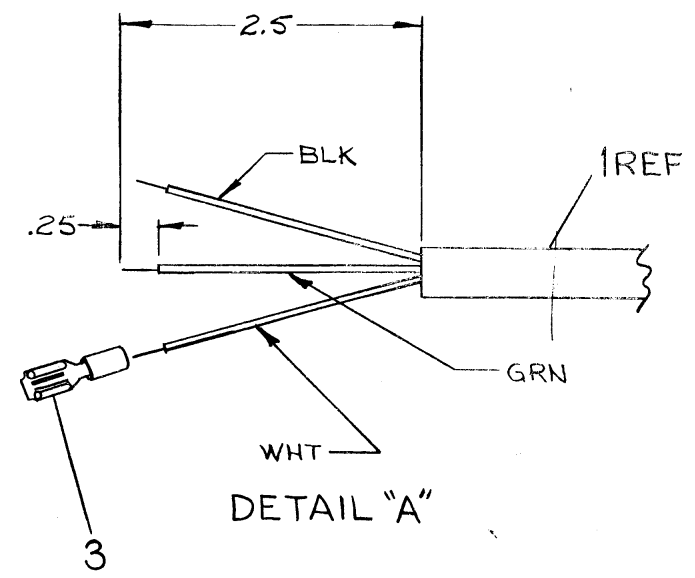
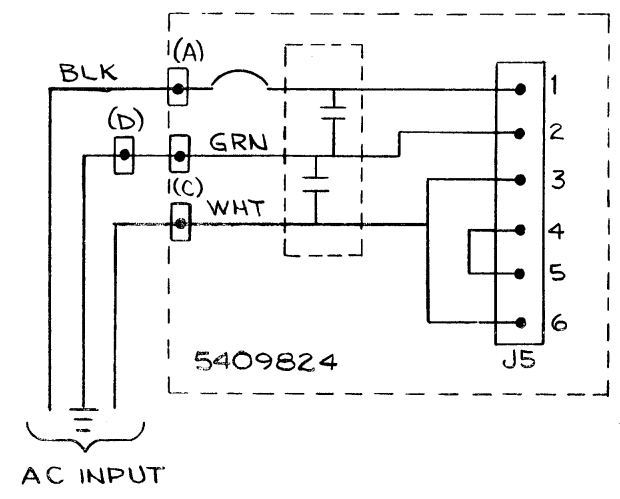
FIRST USED ON OPTION/MODEL		PARTS LIST	
PDP 8 M		TITLE	
UNLESS OTHERWISE SPECIFIED DIMENSION IN INCHES TOLERANCES		digital EQUIPMENT CORPORATION	
DECIMALS	ANGLES	POWER SUPPLY ASSY	
.XXX = .006	10° 30'	SIZE CODE NUMBER REV	
.XX = .02		DAD 7008714-0-0 A	
X = .1		SCALE NONE SHEET 1 OF 1	
REMOVE BURRS AND BREAK SHARP CORNERS SURFACE QUALITY		DIST	
MATERIAL		NEXT HIGHER ASSY.	
FINISH			

REV.	CHANGE NO.	DATE	BY
1	7008714-00001 A	12/1/72	P. GARDNER
2	7008714-00002 B	12/1/72	P. GARDNER

erty of Digital Equipment Corporation and shall not be reproduced or copied or used in whole or in part as the basis for the manufacture or sale of items without written permission.

NOTES:

1. CONNECT ITEM #1 (POWER CORD) AND ITEM #2 (AC INPUT BOX) PER CIRCUIT SCHEMATIC.
2. FOR INSTALLATION USE HAYCO #29 STRAIN RELIEF PLIERS



SEE DETAIL 'A'  
3 REF  
SHOWN WITHOUT COVER

1	GROMMET HEYCO 6 P4	9007142	4
3	SOLDERLESS CONN. ARKLESS	9007917	3
1	AC INPUT BOX H400A	D-UA-H400-0-0	2
1	POWER CORD 120V	170015-6	1

FIRST USED ON OPTION/MODEL	QTY.	DESCRIPTION	PART NO.	ITEM NO.
11/05				
PARTS LIST				
UNLESS OTHERWISE SPECIFIED DIMENSION IN INCHES. TOLERANCES		DRN <i>T. Quillin</i>	DATE 12-27-71	<b>digital</b> EQUIPMENT CORPORATION MAYNARD MASSACHUSETTS  TITLE LINE SET 115V AC 7 AMP
DECIMALS	ANGLES	CHK'D <i>H. Antone</i>	DATE 1-8-72	
.XXX = .005 .XX = .02 .X = .1	±0° 30'	ENG. <i>David DeMunnelle</i>	DATE 1-4-72	
REMOVE BURRS AND BREAK SHARP CORNERS SURFACE QUALITY ✓		PROJ. ENG. <i>R. H. Harty</i>	DATE 1-7-72	
MATERIAL	NEXT HIGHER ASSY.	PROD. <i>R.K. Petersen</i>	DATE 1/2/72	
FINISH	SCALE	SIZE CODE		NUMBER
		C UA		BC05H-0-0
SHEET 1 OF 1		DIST.		REV.

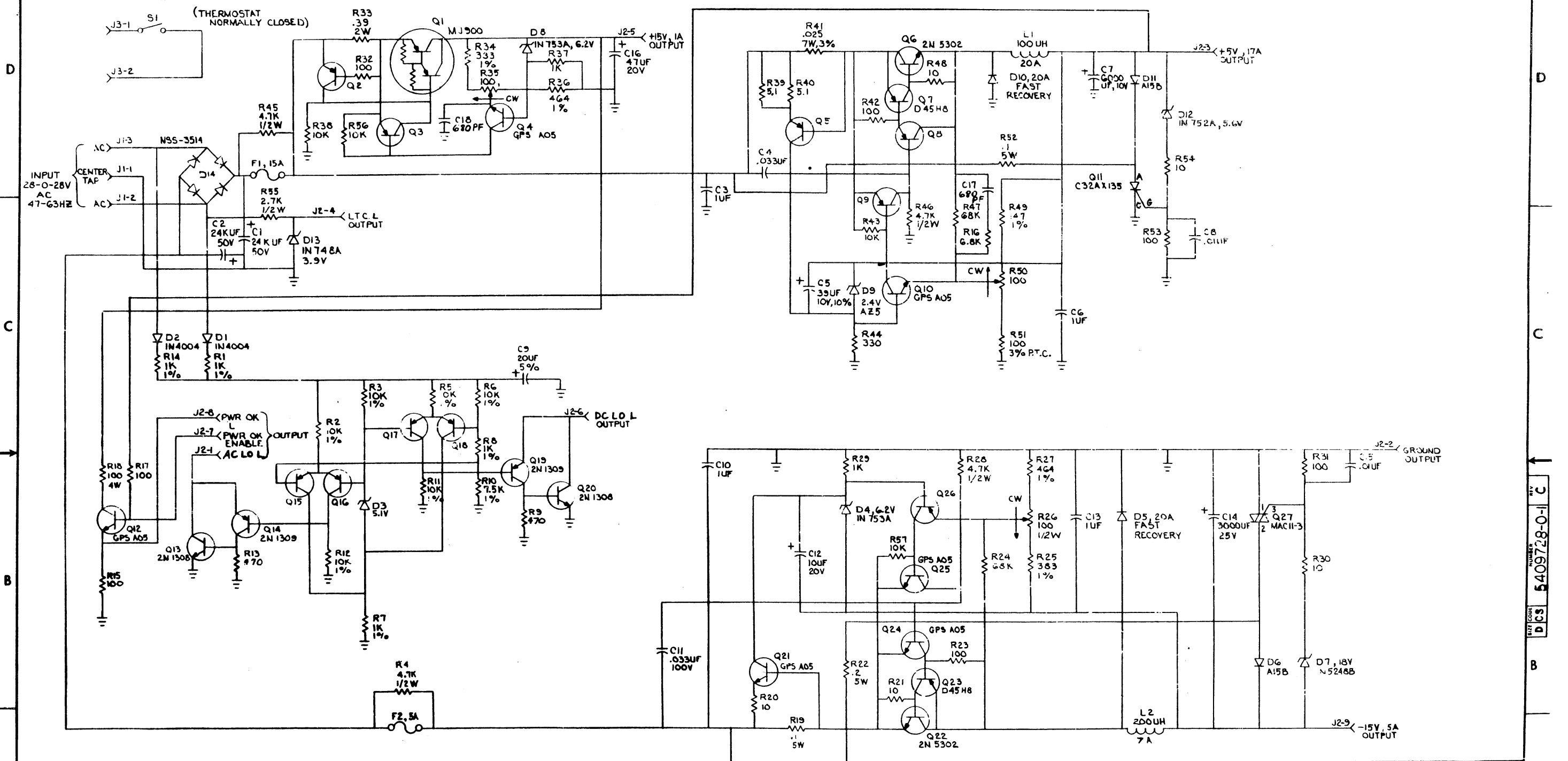
REVISIONS	REV.
CHANGE NO.	
CHK	

REV.	
NUMBER	BC05H-0-0
SIZE CODE	C UA



This drawing and specifications, herein, are the property of Digital Equipment Corporation and shall not be reproduced or copied or used in whole or in part as the basis for the manufacture or sale of items without written permission.

5409728-0-1



UNLESS OTHERWISE INDICATED:  
 1% RESISTORS ARE 1/8 W  
 TRANSISTORS - GFS A55

QTY	REF DESIGNATION	DESCRIPTION	PART NO.	ITEM NO.													
PARTS LIST																	
ETCH BOARD REV B C																	
<table border="1"> <tr> <td>DRN. <i>R. WOLFF</i></td> <td>DATE 12-20-71</td> <td rowspan="6">            DIGITAL EQUIPMENT CORPORATION            MAYNARD, MASSACHUSETTS         </td> </tr> <tr> <td>CHKD. <i>AMARV MOORE</i></td> <td>DATE 12-21-71</td> </tr> <tr> <td>ENG. <i>R. WOLFF</i></td> <td>DATE 12-28-71</td> </tr> <tr> <td>PROL. ENG. <i>R. WOLFF</i></td> <td>DATE 12-29-71</td> </tr> <tr> <td>PROD. <i>R. WOLFF</i></td> <td>DATE 12-29-71</td> </tr> <tr> <td colspan="2">NEXT HIGHER ASSY</td> </tr> </table>					DRN. <i>R. WOLFF</i>	DATE 12-20-71	DIGITAL EQUIPMENT CORPORATION MAYNARD, MASSACHUSETTS	CHKD. <i>AMARV MOORE</i>	DATE 12-21-71	ENG. <i>R. WOLFF</i>	DATE 12-28-71	PROL. ENG. <i>R. WOLFF</i>	DATE 12-29-71	PROD. <i>R. WOLFF</i>	DATE 12-29-71	NEXT HIGHER ASSY	
DRN. <i>R. WOLFF</i>	DATE 12-20-71	DIGITAL EQUIPMENT CORPORATION MAYNARD, MASSACHUSETTS															
CHKD. <i>AMARV MOORE</i>	DATE 12-21-71																
ENG. <i>R. WOLFF</i>	DATE 12-28-71																
PROL. ENG. <i>R. WOLFF</i>	DATE 12-29-71																
PROD. <i>R. WOLFF</i>	DATE 12-29-71																
NEXT HIGHER ASSY																	
TITLE			REV. C														
REGULATOR BOARD FOR H740			NUMBER 5409728-0-1														
SEMICONDUCTOR CONVERSION CHART			SCALE														
SHEET 1 OF 1			DST.														

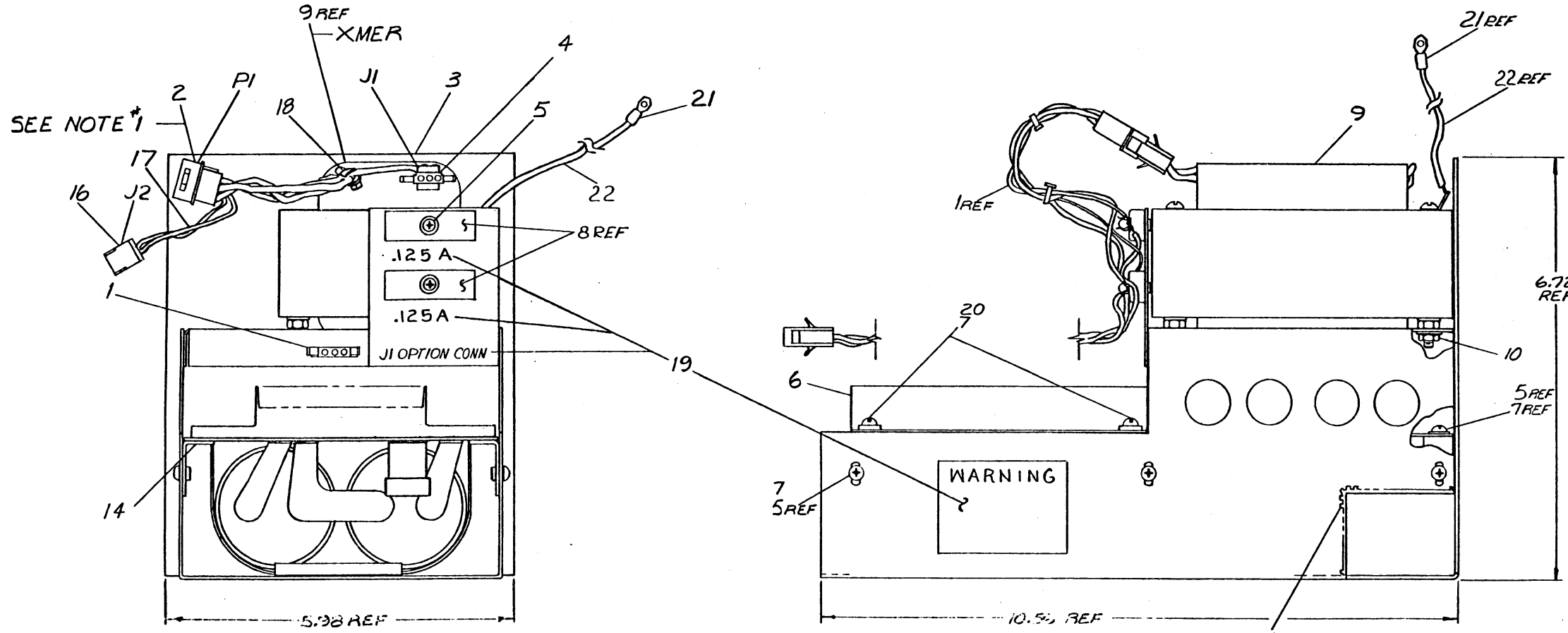
REV	DATE	BY	CHKD.	DESCRIPTION
1	1-19-72	R. WOLFF	R. WOLFF	REVISED
2	1-20-72	R. WOLFF	R. WOLFF	REVISED
3	1-21-72	R. WOLFF	R. WOLFF	REVISED
4	1-22-72	R. WOLFF	R. WOLFF	REVISED
5	1-23-72	R. WOLFF	R. WOLFF	REVISED
6	1-24-72	R. WOLFF	R. WOLFF	REVISED
7	1-25-72	R. WOLFF	R. WOLFF	REVISED
8	1-26-72	R. WOLFF	R. WOLFF	REVISED
9	1-27-72	R. WOLFF	R. WOLFF	REVISED
10	1-28-72	R. WOLFF	R. WOLFF	REVISED
11	1-29-72	R. WOLFF	R. WOLFF	REVISED
12	1-30-72	R. WOLFF	R. WOLFF	REVISED
13	1-31-72	R. WOLFF	R. WOLFF	REVISED
14	2-1-72	R. WOLFF	R. WOLFF	REVISED
15	2-2-72	R. WOLFF	R. WOLFF	REVISED
16	2-3-72	R. WOLFF	R. WOLFF	REVISED
17	2-4-72	R. WOLFF	R. WOLFF	REVISED
18	2-5-72	R. WOLFF	R. WOLFF	REVISED
19	2-6-72	R. WOLFF	R. WOLFF	REVISED
20	2-7-72	R. WOLFF	R. WOLFF	REVISED
21	2-8-72	R. WOLFF	R. WOLFF	REVISED
22	2-9-72	R. WOLFF	R. WOLFF	REVISED
23	2-10-72	R. WOLFF	R. WOLFF	REVISED
24	2-11-72	R. WOLFF	R. WOLFF	REVISED
25	2-12-72	R. WOLFF	R. WOLFF	REVISED
26	2-13-72	R. WOLFF	R. WOLFF	REVISED
27	2-14-72	R. WOLFF	R. WOLFF	REVISED
28	2-15-72	R. WOLFF	R. WOLFF	REVISED
29	2-16-72	R. WOLFF	R. WOLFF	REVISED
30	2-17-72	R. WOLFF	R. WOLFF	REVISED
31	2-18-72	R. WOLFF	R. WOLFF	REVISED
32	2-19-72	R. WOLFF	R. WOLFF	REVISED
33	2-20-72	R. WOLFF	R. WOLFF	REVISED
34	2-21-72	R. WOLFF	R. WOLFF	REVISED
35	2-22-72	R. WOLFF	R. WOLFF	REVISED
36	2-23-72	R. WOLFF	R. WOLFF	REVISED
37	2-24-72	R. WOLFF	R. WOLFF	REVISED
38	2-25-72	R. WOLFF	R. WOLFF	REVISED
39	2-26-72	R. WOLFF	R. WOLFF	REVISED
40	2-27-72	R. WOLFF	R. WOLFF	REVISED
41	2-28-72	R. WOLFF	R. WOLFF	REVISED
42	2-29-72	R. WOLFF	R. WOLFF	REVISED
43	2-30-72	R. WOLFF	R. WOLFF	REVISED
44	2-31-72	R. WOLFF	R. WOLFF	REVISED
45	3-1-72	R. WOLFF	R. WOLFF	REVISED
46	3-2-72	R. WOLFF	R. WOLFF	REVISED
47	3-3-72	R. WOLFF	R. WOLFF	REVISED
48	3-4-72	R. WOLFF	R. WOLFF	REVISED
49	3-5-72	R. WOLFF	R. WOLFF	REVISED
50	3-6-72	R. WOLFF	R. WOLFF	REVISED
51	3-7-72	R. WOLFF	R. WOLFF	REVISED
52	3-8-72	R. WOLFF	R. WOLFF	REVISED
53	3-9-72	R. WOLFF	R. WOLFF	REVISED
54	3-10-72	R. WOLFF	R. WOLFF	REVISED
55	3-11-72	R. WOLFF	R. WOLFF	REVISED
56	3-12-72	R. WOLFF	R. WOLFF	REVISED
57	3-13-72	R. WOLFF	R. WOLFF	REVISED
58	3-14-72	R. WOLFF	R. WOLFF	REVISED
59	3-15-72	R. WOLFF	R. WOLFF	REVISED
60	3-16-72	R. WOLFF	R. WOLFF	REVISED
61	3-17-72	R. WOLFF	R. WOLFF	REVISED
62	3-18-72	R. WOLFF	R. WOLFF	REVISED
63	3-19-72	R. WOLFF	R. WOLFF	REVISED
64	3-20-72	R. WOLFF	R. WOLFF	REVISED
65	3-21-72	R. WOLFF	R. WOLFF	REVISED
66	3-22-72	R. WOLFF	R. WOLFF	REVISED
67	3-23-72	R. WOLFF	R. WOLFF	REVISED
68	3-24-72	R. WOLFF	R. WOLFF	REVISED
69	3-25-72	R. WOLFF	R. WOLFF	REVISED
70	3-26-72	R. WOLFF	R. WOLFF	REVISED
71	3-27-72	R. WOLFF	R. WOLFF	REVISED
72	3-28-72	R. WOLFF	R. WOLFF	REVISED
73	3-29-72	R. WOLFF	R. WOLFF	REVISED
74	3-30-72	R. WOLFF	R. WOLFF	REVISED
75	3-31-72	R. WOLFF	R. WOLFF	REVISED
76	4-1-72	R. WOLFF	R. WOLFF	REVISED
77	4-2-72	R. WOLFF	R. WOLFF	REVISED
78	4-3-72	R. WOLFF	R. WOLFF	REVISED
79	4-4-72	R. WOLFF	R. WOLFF	REVISED
80	4-5-72	R. WOLFF	R. WOLFF	REVISED
81	4-6-72	R. WOLFF	R. WOLFF	REVISED
82	4-7-72	R. WOLFF	R. WOLFF	REVISED
83	4-8-72	R. WOLFF	R. WOLFF	REVISED
84	4-9-72	R. WOLFF	R. WOLFF	REVISED
85	4-10-72	R. WOLFF	R. WOLFF	REVISED
86	4-11-72	R. WOLFF	R. WOLFF	REVISED
87	4-12-72	R. WOLFF	R. WOLFF	REVISED
88	4-13-72	R. WOLFF	R. WOLFF	REVISED
89	4-14-72	R. WOLFF	R. WOLFF	REVISED
90	4-15-72	R. WOLFF	R. WOLFF	REVISED
91	4-16-72	R. WOLFF	R. WOLFF	REVISED
92	4-17-72	R. WOLFF	R. WOLFF	REVISED
93	4-18-72	R. WOLFF	R. WOLFF	REVISED
94	4-19-72	R. WOLFF	R. WOLFF	REVISED
95	4-20-72	R. WOLFF	R. WOLFF	REVISED
96	4-21-72	R. WOLFF	R. WOLFF	REVISED
97	4-22-72	R. WOLFF	R. WOLFF	REVISED
98	4-23-72	R. WOLFF	R. WOLFF	REVISED
99	4-24-72	R. WOLFF	R. WOLFF	REVISED
100	4-25-72	R. WOLFF	R. WOLFF	REVISED

This drawing and specifications, herein, are the property of Digital Equipment Corporation and shall not be reproduced or copied or used in whole or in part as the basis for the manufacture or sale of items without written permission.

WIRE TABLE					
ITEM NO.	DESCR.	PLG.	FROM:	TO:	
NO.	AVG	COLOR	CONNECTION	WITH	CONNECTION WITH
9		BLU	XMER	-	J1-3 12
		BLU		-	J1-2 12
		BLU		-	J1-1 12
		RED		-	PI-3 13
		YEL		-	PI-4 13
		WHT		-	PI-1 13
9		BLK	XMER	-	PI-2 13
17	18	BLK	J2-1	12	PI-5 13
17	18	BLK	J2-2	12	PI-6 13
22	18	GRN	XMER	SOLDEE	- 21

LENGTH OF WIRE TO BE 4 IN ± 1/2 IN

NOTES:  
 1. LENGTH OF WIRES TERMINATING TO PS (ITEM 2), ARE TO BE 8 INCHES ± 1/2 INCH.  
 2. COMPONENTS J1, J2, & PI, TO BE LABELED WITH COMPONENT IDENTIFIERS, USING BRADY MARKERS.



END VIEW WITH WIRES FROM ITEM #1 REMOVED

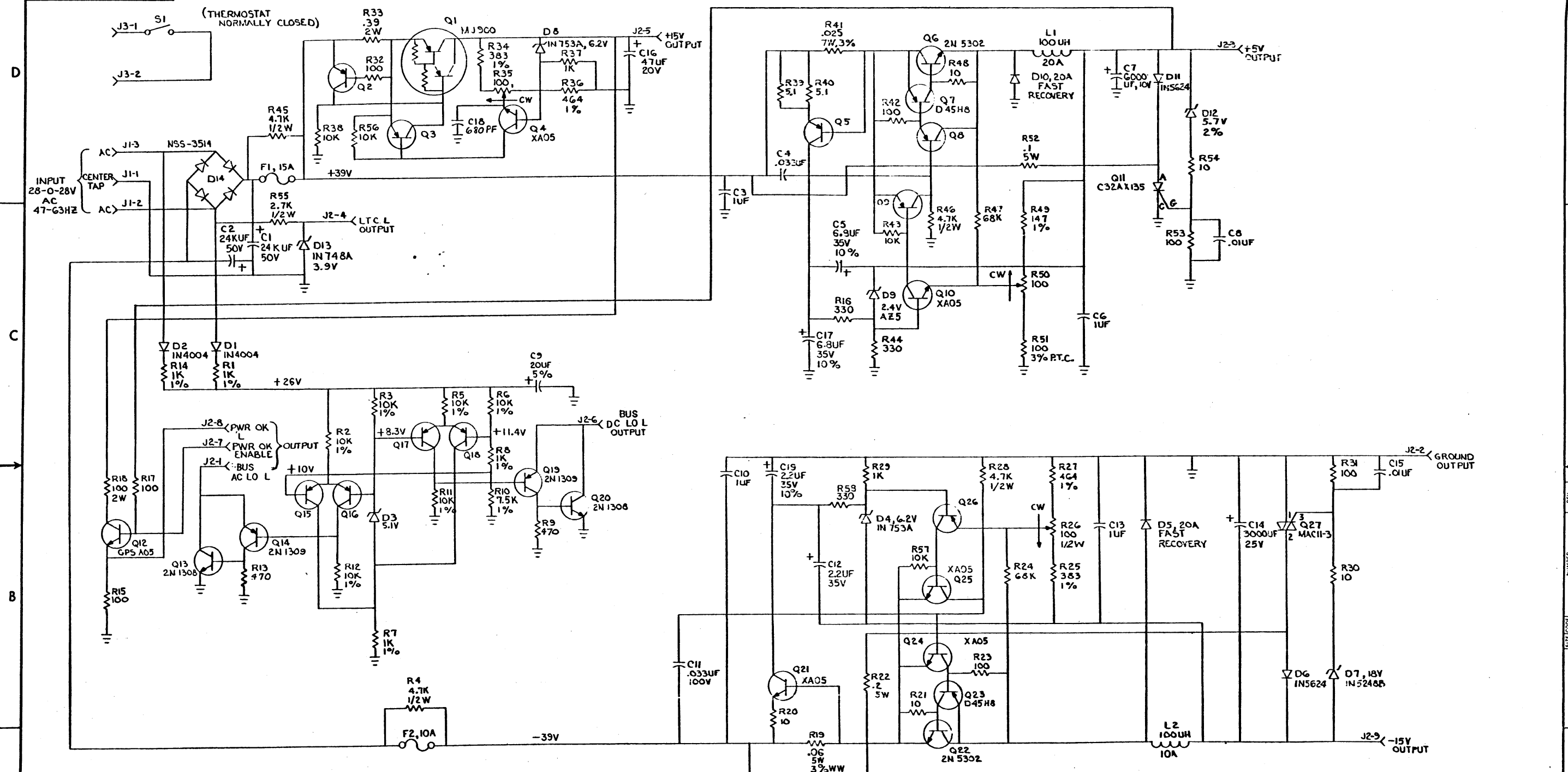
QTY.	DESCRIPTION	PART NO.	ITEM NO.
1	WIRE 18 AWG GREEN	9107360-55	22
1	TERMINAL SOLDERLESS	9007927	21
4	SCR, PHIL PAN HD #6-32X.50	9006024-1	20
1	DECAL	A-DC-7409651-0-0	19
1	TIE WRAP PADUIT SST-18	9007031	18
A/R	WIRE 18 AWG BLK	9107360-00	17
1	CONN, MATE-N-LOK (FEM)	1210821-02	16
1	STRAIN, RELIEF	9008442	15
6	BRKT, SUPPORT ETCH BD	C-1A-7409375-0-0	14
6	CONTACT, MATE-N-LOK (MALE)	1209378-01	13
5	CONTACT, MATE-N-LOK (FEM)	1209379-01	12
A/R	GROMMET	9007621	11
4	NUT, KEP #8-32	9006563	10
1	XMER (TRANSFORMER)	1610601-02	9
2	FUSE 1/8AMP (3AG) S.B.	9008527	8
12	WASHER, INT TOOTH LOCK #6	9006633	7
1	REGULATOR BD ASSY	E-1A-54091280-0	6
10	SCR, PHIL PAN HD #6-32 X.25	9006020-1	5
1	CONN, MATE-N-LOK 3 CKT	1209350-03	4
1	CHASSIS, P.S.	D-1A-7409376-00	3
1	CONN, MATE-N-LOK 6 CKT	1209351-06	2
1	HARNESS, SECONDARY	D-1A-7008534-00	1

FIRST USED ON OPTION/MODEL		QTY.		DESCRIPTION		PART NO.		ITEM NO.	
PDP 8-1									
UNLESS OTHERWISE SPECIFIED DIMENSION IN INCHES TOLERANCES				DRM		DATE		PARTS LIST	
DECIMALS		ANGLES		CHKD		DATE		DIGITAL EQUIPMENT CORPORATION	
.XXX - .005		±0° 30'		ENG		DATE		MAYFORD MASSACHUSETTS	
.XX - .02				PROJ ENG		DATE		TITLE	
.X - .1				PROD		DATE		POWER SUPPLY ASSY	
REMOVE BURRS AND BREAK SHARP CORNERS SURFACE QUALITY				NEXT HIGHER ASSY.		D-1A-PDP8M-2-C		SIZE CODE	
MATERIAL				FINISH		SCALE		NUMBER	
---				---		NONE		DAD 7008714-0-0	
FINISH				SHEET		OF		REV.	
---				1		1		C	

REV.	CHANGE NO.	DATE	BY	CHKD
A	7008714-00001	2-18-72	P. GARDNER	
B		2-18-72	P. GARDNER	
C		2-26-72	P. GARDNER	
D		10-6-72	P. GARDNER	
E		12-2-72	P. GARDNER	



This drawing and specifications, herein, are the property of Digital Equipment Corporation and shall not be reproduced or copied or used in whole or in part as the basis for the manufacture or sale of items without written permission.



UNLESS OTHERWISE INDICATED:  
 1% RESISTORS ARE 1/8W  
 TRANSISTORS - XA55  
 VOLTAGES ARE TAKEN AT NO LOAD WITH 115 VAC LINE  
 VOLTAGES ARE ±10% TAKEN BY A ≥ 10KV METER

REV	DATE	BY	CHK
1	1-1-72	R. WOLFF	
2	1-1-72	R. WOLFF	
3	1-1-72	R. WOLFF	
4	1-1-72	R. WOLFF	
5	1-1-72	R. WOLFF	
6	1-1-72	R. WOLFF	
7	1-1-72	R. WOLFF	
8	1-1-72	R. WOLFF	

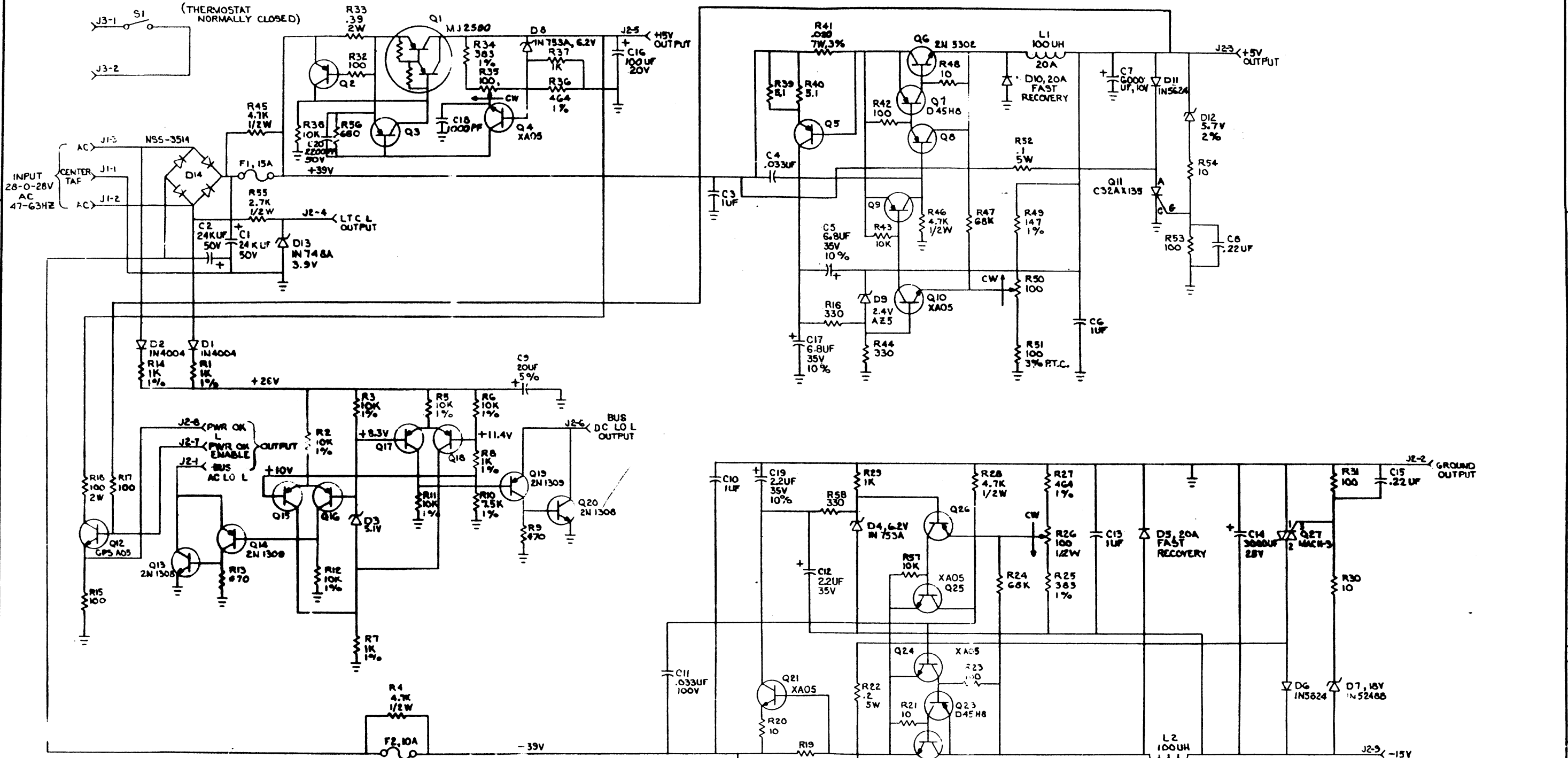
QTY	REF DESIGNATION	DESCRIPTION	PART NO.	ITEM NO.											
PARTS LIST															
	ETCH BOARD REV	B	C	D											
<table border="1"> <tr> <td>DRN. Roger J. Lawrence</td> <td>DATE 12-20-71</td> <td rowspan="5">                  DIGITAL EQUIPMENT CORPORATION                  MAYNARD, MASSACHUSETTS             </td> </tr> <tr> <td>CHK'D. J. P. Moore</td> <td>DATE 12-21-71</td> </tr> <tr> <td>ENG. R. W. Moore</td> <td>DATE 12-28-71</td> </tr> <tr> <td>PROJ. ENG. R. W. Moore</td> <td>DATE 12-28-71</td> </tr> <tr> <td>PROD. R. P. Moore</td> <td>DATE 12-28-71</td> </tr> </table>					DRN. Roger J. Lawrence	DATE 12-20-71	DIGITAL EQUIPMENT CORPORATION MAYNARD, MASSACHUSETTS	CHK'D. J. P. Moore	DATE 12-21-71	ENG. R. W. Moore	DATE 12-28-71	PROJ. ENG. R. W. Moore	DATE 12-28-71	PROD. R. P. Moore	DATE 12-28-71
DRN. Roger J. Lawrence	DATE 12-20-71	DIGITAL EQUIPMENT CORPORATION MAYNARD, MASSACHUSETTS													
CHK'D. J. P. Moore	DATE 12-21-71														
ENG. R. W. Moore	DATE 12-28-71														
PROJ. ENG. R. W. Moore	DATE 12-28-71														
PROD. R. P. Moore	DATE 12-28-71														
TITLE			REGULATOR BOARD FOR H740												
SIZE CODE		NUMBER		REV.											
DCS		5409728-0-1		F											
SEMICONDUCTOR CONVERSION CHART															
DEC. NO.	EIA NO.	DEC. NO.	EIA NO.	SCALE											
				SHEET 1 OF 1											







The drawing and specifications herein, are the property of Digital Equipment Corporation and shall not be reproduced or copied or used in whole or in part in the manufacture or sale of items without written permission.



UNLESS OTHERWISE INDICATED:  
 1% RESISTORS ARE 1/8W  
 VOLTAGES ARE TAKEN AT NO LOAD WITH 115 VAC LINE  
 VOLTAGES ARE ±10% TAKEN BY A ±10KΩ METER  
 TRANSISTORS - XA55

REV	DATE	BY	CHK
1	12-20-70	R. WOLF	R. WOLF
2	12-21-70	R. WOLF	R. WOLF
3	12-21-70	R. WOLF	R. WOLF
4	12-21-70	R. WOLF	R. WOLF
5	12-21-70	R. WOLF	R. WOLF
6	12-21-70	R. WOLF	R. WOLF
7	12-21-70	R. WOLF	R. WOLF
8	12-21-70	R. WOLF	R. WOLF
9	12-21-70	R. WOLF	R. WOLF
10	12-21-70	R. WOLF	R. WOLF
11	12-21-70	R. WOLF	R. WOLF
12	12-21-70	R. WOLF	R. WOLF
13	12-21-70	R. WOLF	R. WOLF
14	12-21-70	R. WOLF	R. WOLF
15	12-21-70	R. WOLF	R. WOLF
16	12-21-70	R. WOLF	R. WOLF
17	12-21-70	R. WOLF	R. WOLF
18	12-21-70	R. WOLF	R. WOLF
19	12-21-70	R. WOLF	R. WOLF
20	12-21-70	R. WOLF	R. WOLF
21	12-21-70	R. WOLF	R. WOLF
22	12-21-70	R. WOLF	R. WOLF
23	12-21-70	R. WOLF	R. WOLF
24	12-21-70	R. WOLF	R. WOLF
25	12-21-70	R. WOLF	R. WOLF
26	12-21-70	R. WOLF	R. WOLF
27	12-21-70	R. WOLF	R. WOLF
28	12-21-70	R. WOLF	R. WOLF
29	12-21-70	R. WOLF	R. WOLF
30	12-21-70	R. WOLF	R. WOLF
31	12-21-70	R. WOLF	R. WOLF
32	12-21-70	R. WOLF	R. WOLF
33	12-21-70	R. WOLF	R. WOLF
34	12-21-70	R. WOLF	R. WOLF
35	12-21-70	R. WOLF	R. WOLF
36	12-21-70	R. WOLF	R. WOLF
37	12-21-70	R. WOLF	R. WOLF
38	12-21-70	R. WOLF	R. WOLF
39	12-21-70	R. WOLF	R. WOLF
40	12-21-70	R. WOLF	R. WOLF
41	12-21-70	R. WOLF	R. WOLF
42	12-21-70	R. WOLF	R. WOLF
43	12-21-70	R. WOLF	R. WOLF
44	12-21-70	R. WOLF	R. WOLF
45	12-21-70	R. WOLF	R. WOLF
46	12-21-70	R. WOLF	R. WOLF
47	12-21-70	R. WOLF	R. WOLF
48	12-21-70	R. WOLF	R. WOLF
49	12-21-70	R. WOLF	R. WOLF
50	12-21-70	R. WOLF	R. WOLF

QTY	REF DESIGNATION	DESCRIPTION	PART NO.	ITEM NO.
PARTS LIST				
ETCH BOARD REV E				
DRN. <i>R. WOLF</i>		DATE 12-20-70	digital EQUIPMENT CORPORATION MAYNARD MASSACHUSETTS TITLE REGULATOR BOARD FOR H74C SIZE CODE DCS NUMBER 5409728-0-1 REV P SHEET 1 OF 1	
CHKD. <i>AMACKY MOORE</i>		DATE 12-21-70		
ENG. <i>R. WOLF</i>		DATE 12-21-70		
PROJ. ENGR. <i>R. WOLF</i>		DATE 12-21-70		
PROD. <i>R. WOLF</i>		DATE 12-21-70		
NEXT HIGHER ASSY				
SEMICONDUCTOR CONVERSION CHART				
DEC. NO.	EIA NO.	DEC. NO.	EIA NO.	SCALE