

**RK05  
disk drive  
engineering drawings**

# DRAWING DIRECTORY

## CUSTOMER PRINT SET INDEX

THIS IS PRINT SET

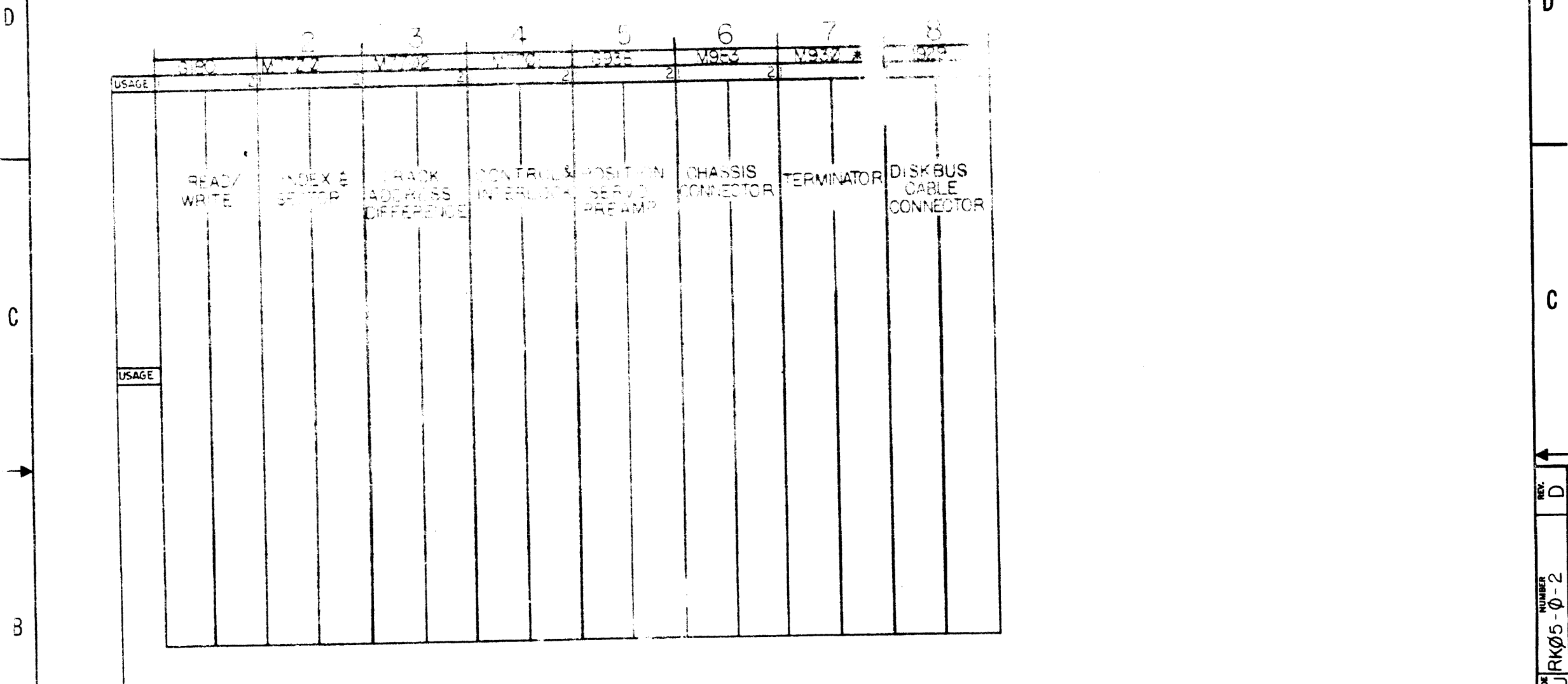
SEQUENCE	SEQUENCE	SEQUENCE	SEQUENCE
DRAWING DIRECTORY	E-DD-RK05-0 SHEET #1 ONLY	MFG. PRINT SET	
MODULE UTILIZATION LIST	C-MIL-RK05-0-2	MODULE UTILIZATION (PL)	A-PL-RK05-0-2
READ/WRITE	D-CS-G150-0-1	RK05 TESTER	B-DD-RK05-T
INDEX SECTOR	D-CS-M7700-0-1	DECPACK ASSY	D-UA-RK05-0-0
CONTROL & INTERLOCK	D-CS-M7702-0-1	DECPACK ASSY (PL)	A-PL-RK05-0-0
TRACK ADDRESS DIFFERENCE	D-CS-M7701-0-1	WIRED ASSY	D-AD-7008696-0-0
POSITION SERVO PREAMP	D-CS-G938-0-1	LINEAR POSITIONER ASSY	D-AD-7008702-0-0
SERVO POWER AMP CIRCUIT	D-CS-H064-0-1	LINEAR POSITIONER ASSY (PL)	A-PL-7008702-0-0
<b>SERVO POWER AMP</b>	<b>E-UA-H604-0-0</b>	H743 POWER SUPPLY	B-DD-H743-0
<b>CONTROL PANEL CIRCUIT</b>	<b>D-CS-5409698-0-1</b>		
<b>CONTROL PANEL</b>	<b>E-IA-5409698-0-0</b>		
<b>RELAY BOARD CIRCUIT</b>	<b>D-CS-5409574-0-1</b>		
<b>DECPACK MOTOR RELAYS</b>	<b>E-IA-5409574-0-0</b>		
<b>CHASSIS WIRING</b>	<b>D-BD-RK05-0-1</b>		
ACCESSORY LIST	A-AL-RK05-0-17		
POWER SUPPLY (H743)	B-DD-H743-0		

UNIT VARIATIONS		PRINT SET TYPE			
VARIATION	TITLE	RK05-0			
RK05-AA	DECPACK 115V 60HZ	X			
RK05-AB	DECPACK 230V 60HZ	X			
RK05-BA	DECPACK 115V 50HZ	X			
RK05-BB	DECPACK 230V 50HZ	X			

REVISIONS	DATE	CHG. NO.	REV	USED ON OPTION/MODEL																										DRN.	DATE	TITLE	SIZE	CODE	NUMBER	RFV	
				A	B	C	D	E	F	G	H	I	J	K	L	M	N	O	P	Q	R	S	T	U	V	W	X	Y	Z								

This drawing and specifications herein are the property of Digital Equipment Corporation and shall not be reproduced or copied in whole or in part for the basis for the manufacture or sale of items without written permission.

NOTE  
 TERMINATOR OR DISKBUS CABLE CONNECTOR MAY BE INTERCHANGED BETWEEN SLOTS 7 AND 8.



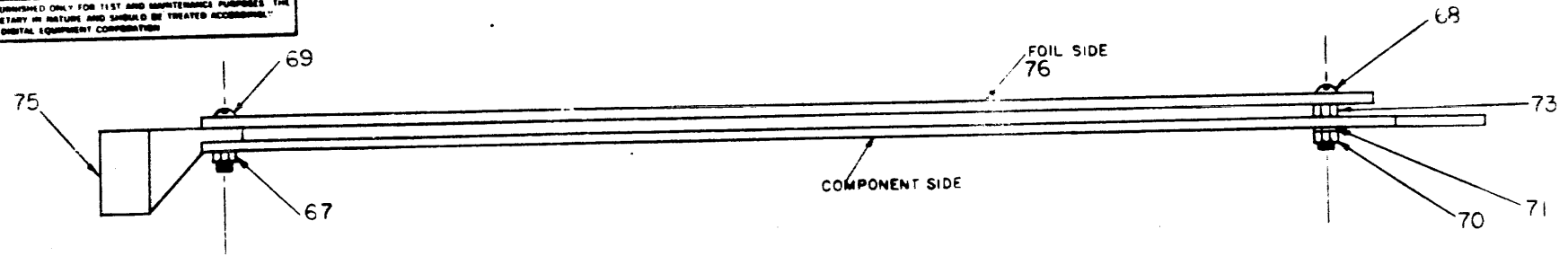
\* IF MORE THAN ONE DRIVE S USED, M930 IS REPLACED BY M929 (BCIIP), M930 IS USED IN THE LAST DRIVE ON THE BUS.

REV	CHARGE NO	DATE	BY
A			
B			
C			
D			

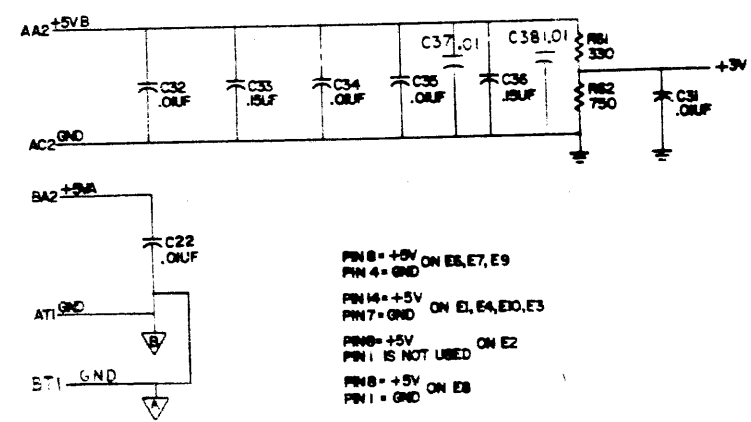
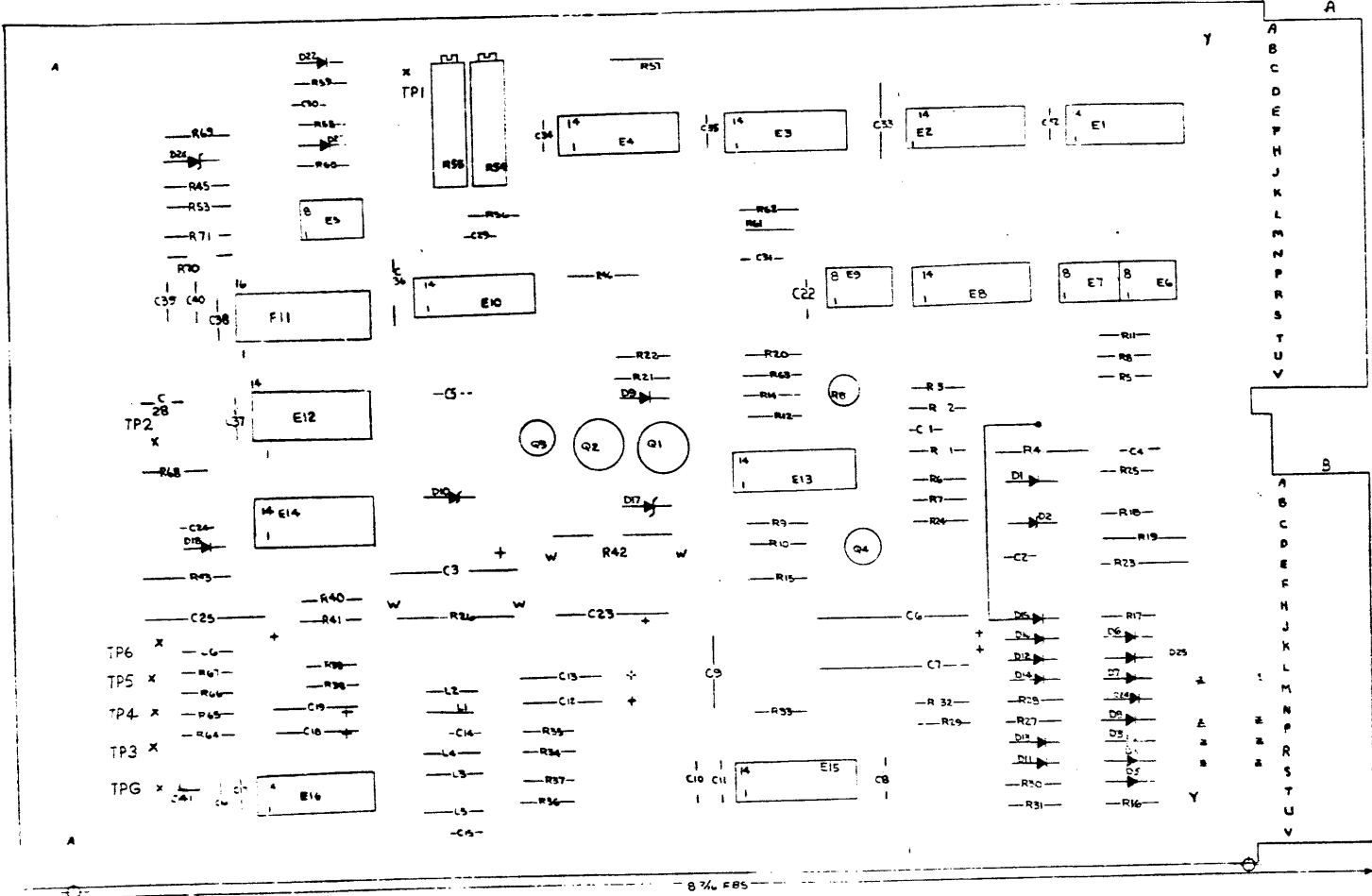
FIRST USED ON OPTION/MODEL RKØ5	QTY.	DESCRIPTION	PART NO.	ITEM NO.
PARTS LIST				
UNLESS OTHERWISE SPECIFIED DIMENSION IN INCHES TOLERANCES	DRM <i>R. Schmidt</i>	DATE 11-7-71	digital EQUIPMENT CORPORATION MAYNARD, MASSACHUSETTS	
DECIMALS: .005 XX .02 X .1	CHK/B <i>J.T. Corry</i>	DATE 11-7-71	TITLE MODULE UTILIZATION	
ANGLES: 10° 30'	ENG. <i>John R. Jensen</i>	DATE 24 Nov 71		
REMOVE BURRS AND BREAK SHARP CORNERS SURFACE QUALITY ✓	PROJ. ENG. <i>B.T. Summers</i>	DATE 11-24-71		
MATERIAL	PROD. <i>D. Arisberg</i>	DATE 11-11-71	NEXT HIGHER ASSY.	
FINISH	B-DD-RKØ5-Ø	SCALE NONE	SIZE CODE C MU	NUMBER RKØ5-Ø-2
	SHEET 2 OF 2		DIST	REV. D

REV. D  
 NUMBER RKØ5-Ø-2  
 SIZE CODE C MU

THIS SCHEMATIC IS FURNISHED ONLY FOR TEST AND MAINTENANCE PURPOSES. THE COMPANY ASSUMES NO LIABILITY IN NATURE AND SHOULD BE TREATED ACCORDINGLY.  
COPYRIGHT © 1977 BY DIGITAL EQUIPMENT CORPORATION



NOTE:  
DO NOT INSERT  
HANDLE HOLE EYELETS  
ON OUTSIDE HANDLE  
HOLES. (2 PLCS)



PIN 8 +5V ON E5, E7, E9  
PIN 4 = GND  
PIN 14 +5V  
PIN 7 = GND ON E1, E4, E10, E3  
PIN 8 +5V ON E2  
PIN 1 IS NOT USED  
PIN 8 +5V ON E8  
PIN 1 = GND

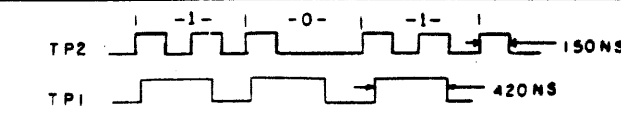
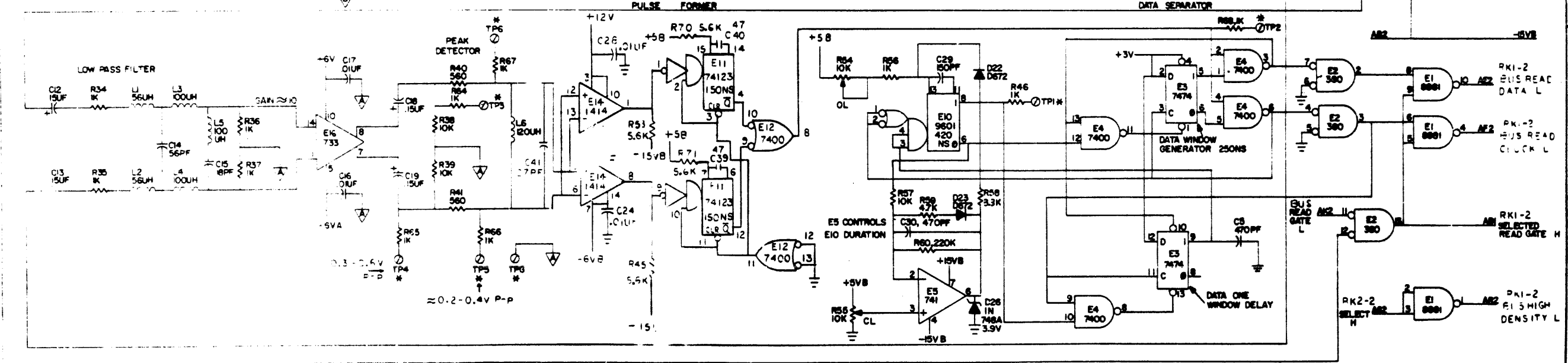
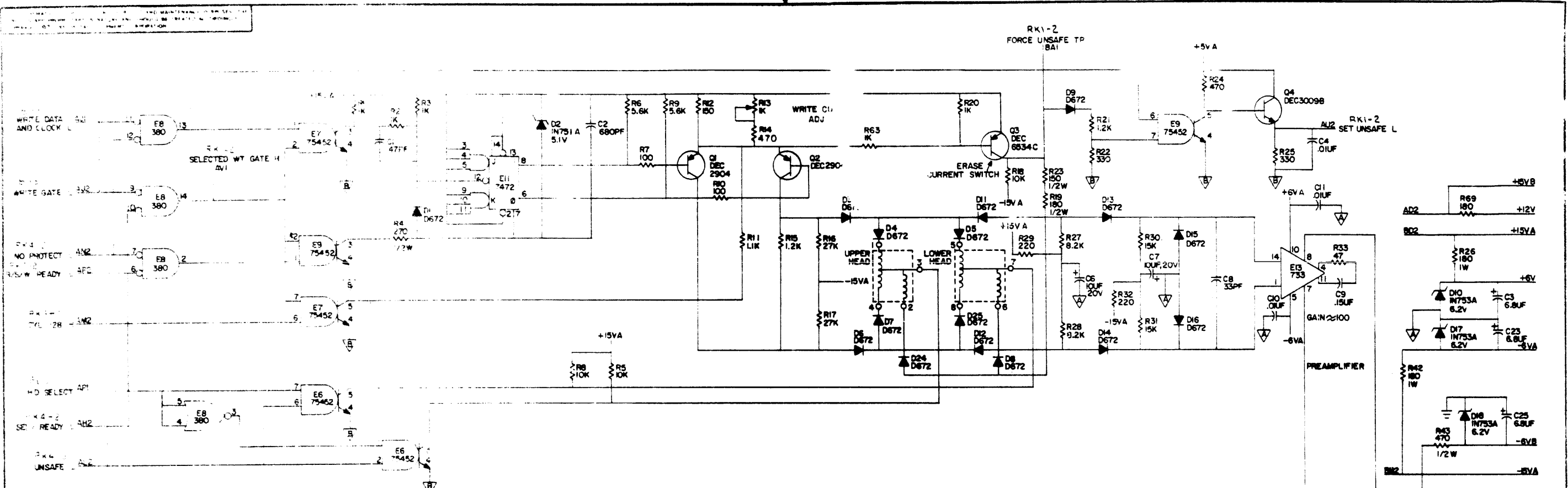
QTY	REF	DESCRIPTION	MANUFACTURER	VALUE	QTY
1	E1	IC DEC 7412	1910445	60	60
2	E15, 16	I.C. DEC 733	1910644	05	05
1	E14	I.C. DEC 1444	1910337	44	44
1	E5	I.C. DEC 741	1910295	63	63
1	E1	I.C. DEC 8881	1909705	62	62
2	E2, 28	I.C. DEC 380	1909485	61	61
1	E10	I.C. DEC 6601	1905373	60	60
1	E13	I.C. DEC 7472	1905588	65	65
2	E12	I.C. DEC 7400	1905575	58	58
1	E3	I.C. DEC 7474	1905547	57	57
1	L6	INDUCTOR 120UH	1610663	56	56
2	L1, L2	INDUCTOR 560UH	1610661	55	55
3	L3, L4, L5	INDUCTOR 100UH	1610662	54	54
1	Q3	TRANSISTOR DEC 65340	1503445-02	53	53
1	Q4	TRANSISTOR DEC 3009B	1503100	52	52
2	Q1, 2	TRANSISTOR 2N2904	1501742	51	51
1	R13	RES. 1K 1/4W 20% 62P	1309150-13	45	45
2	R54, R55	POT. 10K 3/4W 10% 74P	1309143-10	48	48
1	R16, R17	RES. 27K 1/4W 5%	1305340	47	47
1	R27, R28	RES. 8.2K 1/4W 5%	1303175	46	46
1	R60	RES. 220K 1/4W 5%	1302052	45	45
1	R4	RES. 27K 1/4W 5%	1300285	44	44
1	R40, 41	RES. 50K 1/4W 5%	1301960	43	43
6	R4, 5, 6, 7, 9, 10, 71	RES. 5.6K 1/4W 5%	1301874	42	42
1	R11	RES. 1.1K 1/4W 5%	1301475	41	41
1	R58	RES. 3.3K 1/4W 5%	1300439	40	40
1	R62	RES. 750 1/4W 5%	1301320	38	38
2	R15, R21	RES. 1.2K 1/4W 5%	1301320	37	37
2	R30, 31	RES. 15K 1/4W 5%	1300496	36	36
6	R5, 8, 9, 10, 15, 16, 17	RES. 10K 1/4W 5%	1300477	35	35
1	R50	RES. 4.7K 1/4W 5%	1300436	34	34
1	E11	IC DEC 74123	1910436	33	33
1	R1, R2, R3, R20, R34-37	RES. 1K 1/4W 5%	1300365	32	32
2	R14, R14	RES. 470 1/4W 5%	1300316	31	31
1	R43	RES. 470 1/4W 5%	1300316	30	30
1	R22, 23	RES. 230 1/4W 5%	1300295	29	29
2	R20, 410	RES. 220 1/4W 5%	1300274	28	28
2	R18, R19	RES. 180 1/4W 5%	1300262	27	27
1	R19	RES. 180 1/4W 5%	1300266	26	26
1	R12	RES. 150 1/4W 5%	1300250	25	25
1	R23	RES. 150 1/4W 5%	1300249	24	24
1	R21	RES. 147 1/4W 5%	1300202	23	23
8	L8	BOLD WIREWRAP PINS	1210365-1	22	22
18	D1, D3-9, D11-16	DIODE D67E	1105275	21	21
1	D27-29	DIODE 1N751A (5.1V ZENER)	1105873	20	20
1	D2	DIODE 1N751A (5.1V ZENER)	1102021	19	19
3	D10, D17, D18	DIODE 1N751A (6.2V ZENER)	1000310	18	18
2	C5, C11, 235	CAP. 150P 50V 10% POLYCARBONATE	1000310	17	17
4	C15	CAP. 18PP 100V 5% D.M.	1002608	16	16
4	C12, C13, C10, C14	CAP. 150P 35V 20% S.TANT	1002480	15	15
14	C4, 10, 11, 16, 17, 20, 24	CAP. 100P 100V 20% DISC	1001510	14	14
2	C28, 31, 32, 34, 35, 37, 38	CAP. 100P 35V 20% S.TANT	1000065	13	13
2	C6, 27	CAP. 6.8UF 35V 20% S.TANT	1000067	12	12
3	C3, C23, C25	CAP. 680PF 100V 5% D.M.	1000026	11	11
1	C2	CAP. 470PF 100V 5% D.M.	1000024	10	10
2	C5, C30	CAP. 15'PP 100V 5% D.M.	1000016	9	9
1	C29	CAP. 27 PF 100V 5% DM.	1001739	8	8
1	C41	CAP. 56PF 100V 5% D.M.	1000011	7	7
1	C11	CAP. 47PF 100V 5% D.M.	1000011	6	6
1	C1, C33, C40	CAP. 33PF 100V 5% D.M.	1000009	5	5
1	C8	CAP. 100P 100V 5% D.M.	5400741	4	4
1		ETCHED CIRCUIT BOARD	R-MH-G-170-0-01	3	3
1		MODULE BCD HISTORY	B-AR-3-100-0-01	2	2
1		ASSY/DRILLING HOLE LAYOUT	B-AR-3-100-0-01	1	1
1		X-Y COORDINATE HOLE LOCATION	K-00-3-100-0-01	1	1
1		DESCRIPTION	DEC PART NO.	1	1

QTY	REF	DESCRIPTION	MANUFACTURER	VALUE	QTY
1	D26	DIODE 1N751A (3.0V ZENER)	1100122	74	74
1	R69	RES. 180 1/4W 5%	1301322	73	73
2	R7, 10	RES. 100 1/4W 5%	1300229	72	72
1		EDGE SHIELD	900695	76	76
2		HANDLE, FLIP CHIP - GREEN	9006337-01	75	75
7	TP3-TP6	SMALL LUG	900798	74	74
2		HEX NUT, NYLON #2-56	9007263	73	73
2		STAPLER #000-7	9006732	72	72
2		INTERNAL LOCK WASHER #2-56	9006631	71	71
2		HEX NUT #2-56	9006555	70	70
2		SCREEN #40 X 3/8	9006011-4	69	69
2		SCREEN PAN #2-56 X 5/16	9006002-1	68	68
2		KEP NUT 4/40	9006557	67	67

TRANSISTOR & DIODE CONNECTION CHART

DEC	Q1	Q2	Q3	Q4

EQUIPMENT CORPORATION  
PRINTED CIRCUIT REV. K  
SHEET 1 OF 2



UNLESS OTHERWISE INDICATED:  
 \* INDICATES SMD LUG  
 ⏏ ANALOG GND "A" BT  
 ⏏ ANALOG GND "B" AT  
 ⏏ DIGITAL GND AC2

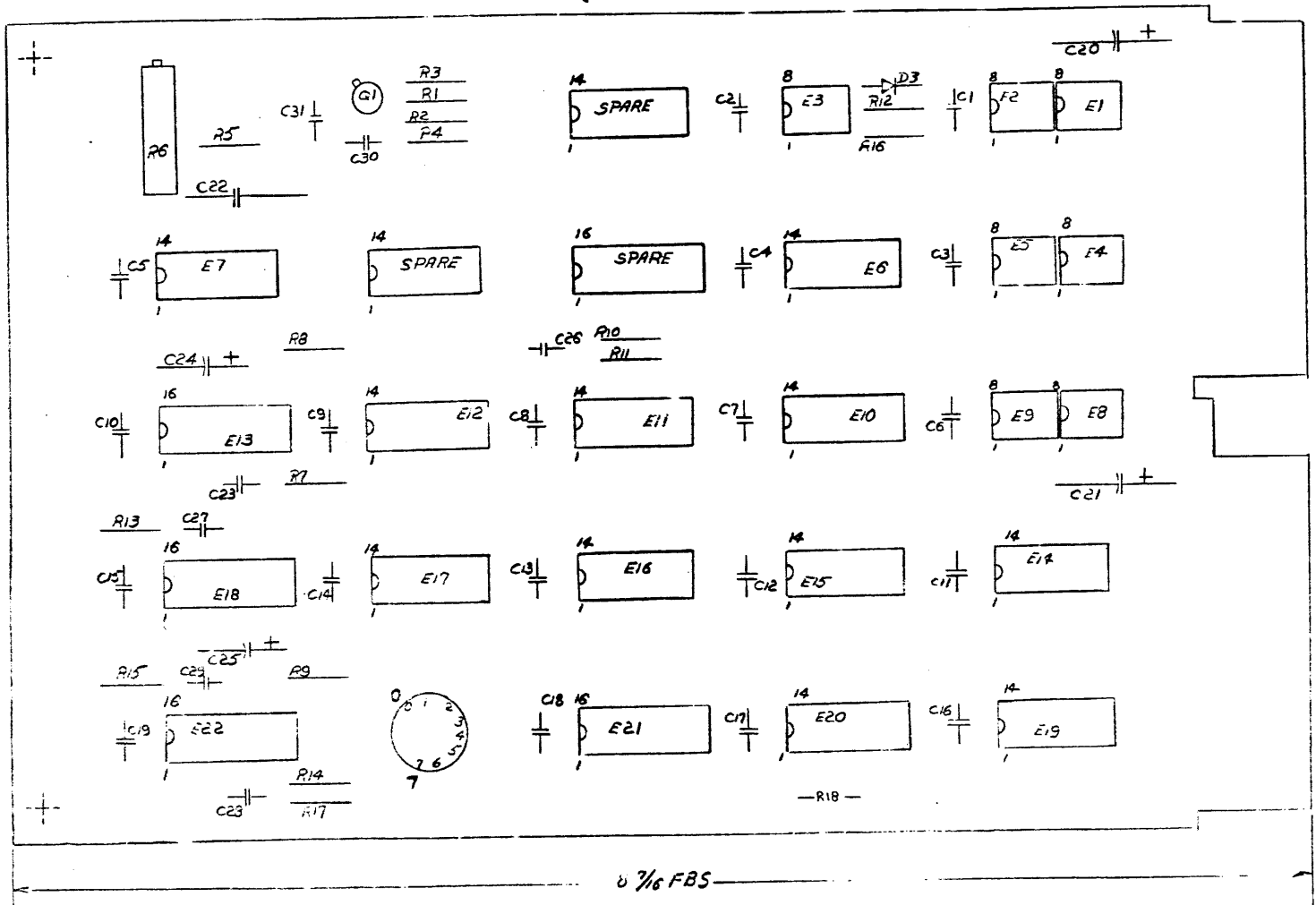
COMPONENTS NOT MOUNTED IN BOARD  
 ALL TIMES INDICATED ARE NOMINAL

REVISED		DATE		TRANSISTOR & DIODE CONVERSION CHART				TITLE	
1		1	1/5/71	DEC	6834C	733	7400	74123	7474
EQUIPMENT CORPORATION		PART NUMBER		REV		REV		REV	
GIBCO-0-1		GIBCO-0-1		GIBCO-0-1		GIBCO-0-1		GIBCO-0-1	
PRINTED CIRCUIT REV		REV		REV		REV		REV	

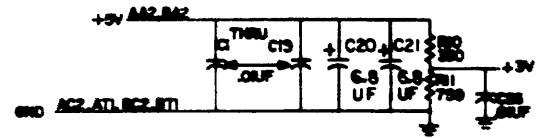
SLOT - 1

DEC PACK READ/WRITE  
 RK1-2

THIS SCHEMATIC IS FURNISHED ONLY FOR TEST AND MAINTENANCE PURPOSES. THE CIRCUITS ARE PROPRIETARY IN NATURE AND SHOULD BE TREATED ACCORDINGLY. COPYRIGHT © 1977 BY DIGITAL EQUIPMENT CORPORATION



NOTES:  
 PIN 7 - GND ON E2, E4, E7, E11, E13  
 PIN 14 - +5V ON E4, E7, E22, E11, E23  
 PIN 4 - GND ON E13, E14, E18  
 PIN 8 - +5V ON E13, E14, E18  
 PIN 10 - GND ON E13, E12  
 PIN 5 - +5V  
 PIN 1 - GND ON E22  
 PIN 8 - +5V  
 PIN 6 - GND ON E1, E15, E19  
 PIN 16 - +5V

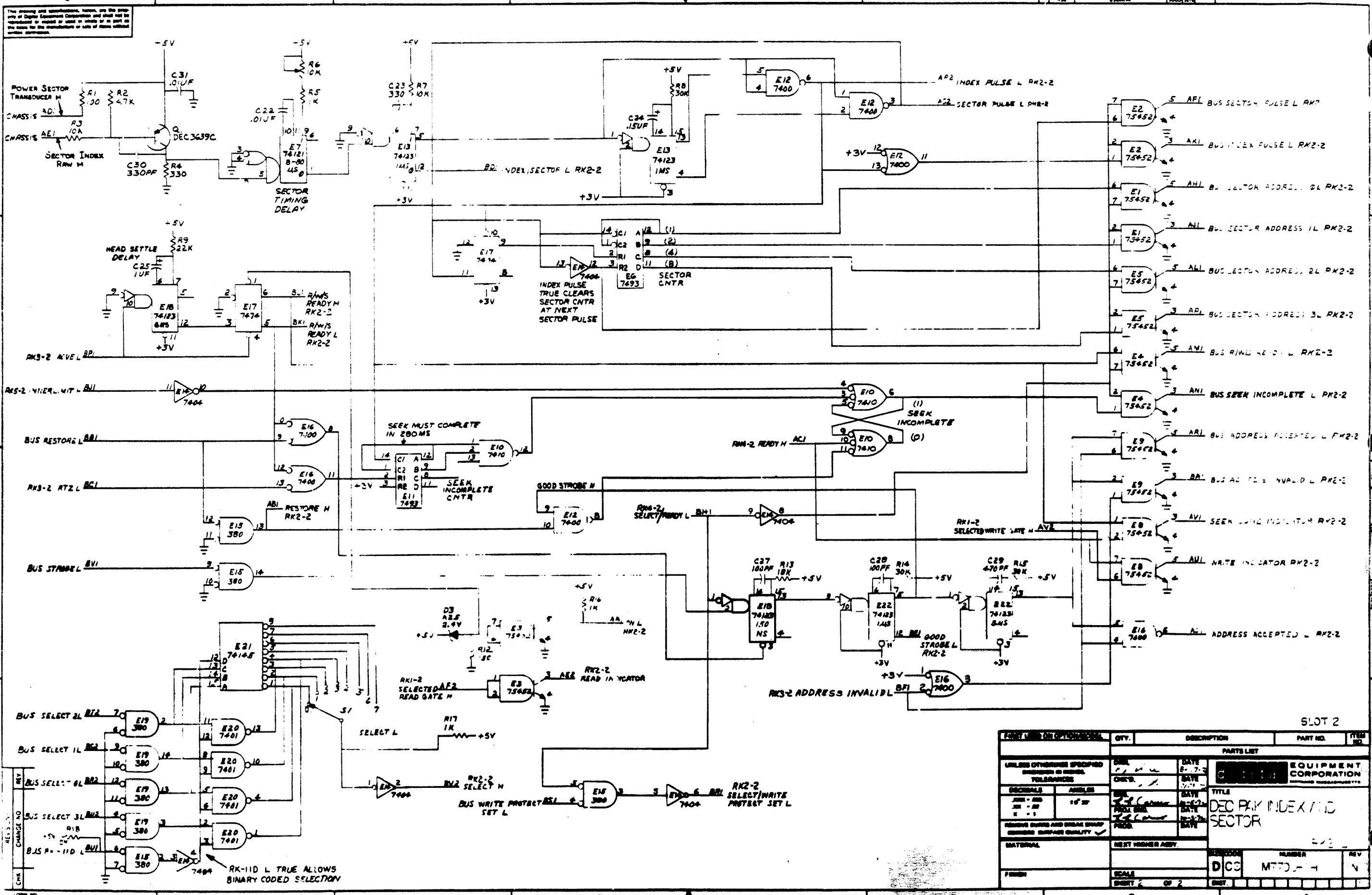


QTY	REF	DESCRIPTION	MANUFACTURER	QTY
2	C20, 21	CAP. 68UF 35V 20%	1000067	40
1	R2	RESISTOR 1/4W 5%	1300447	39
1	C22	CAP. .01UF 100V 10% NYLAR	1005794	38
				37
		HANDLE, FLIP CHIP - MAGENTA	9006337-06	36
		EXPLAT	9006732	35
1	E20	I.C. DEC 7401	1905590	34
1	E18, E22	I.C. DEC 74123	1910436	33
7	E1-8, E4, E7	I.C. DEC 7542	1910649	32
1	E7	I.C. DEC 74121	1910230	31
1	E3	I.C. DEC 74145	1910047	30
1	E14	I.C. DEC 7404	1909680	29
2	E13, 19	I.C. DEC 38C	1909485	28
2	E5, 11	I.C. DEC 7493	1909054	27
1	E20	I.C. DEC 7410	1905576	26
2	E2, 14	I.C. DEC 7400	1905575	25
1	E17	I.C. DEC 7474	1905547	24
1	R1	TRANSISTOR DEC 3639C	1902762-01	23
1	R13	RES. 10K W 5%	1302405	22
1	R14, 15, 8	RES. 30K W 5%	1302394	21
1	R6	POT. 10K 3/4W 10%	1309143-10	20
1	R3	RES. 22K W 5%	1301606	19
1	R11	RES. 750 W 5%	1301401	18
3	R3, R7, R18	RES. 10K W 5%	1300475	17
2	R4, 10	RES. 150 W 5%	1300295	16
1	R12	RES. 150 W 5%	1300250	15
1	R1	RES. 10C W 5%	1300225	14
1	S1	SWITCH ROTARY B POS	1210042	13
1	D3	DIODE A25 (2A)	111936	12
1	R5, 16, 17	RES. 1K 1/4W 5%	1300365	11
1	C25	CAP. .15UF 35V 20% S.TANT	1002180	10
1	C25	CAP. 1.0UF 35V 10% S.TANT	1001776	9
21	C1, 2, 3, 4, 5, 6, 7, 8, 9, 10, 11, 12, 13, 14, 15, 16, 17, 18, 19, 20, 21, 22, 23, 24, 26, 27, 28, 29, 30, 31, 32, 33, 34, 35, 36, 37, 38, 39	CAP. .01UF 100V 20% DISC	1001610	8
1	C29	CAP. .470UF 100V 5% D.M.	1000024	7
2	C23, C30	CAP. .100UF 100V 5% D.M.	1000043	6
2	C28, 27	CAP. .100UF 100V 5% D.M.	1000044	5
1		ETCHED CIRCUIT BOARD	5005716	4
		MODULE MCO HISTORY	E-MH-M7700-0-1	3
		ASST/DRILLING HOLE LAYOUT	E-MH-M7700-0-1	2
		X-Y COORDINATE HOLE LOCATION	E-MH-M7700-0-1	1
REV	DESCRIPTION	DATE	BY	
1	ISSUE			

TRANSISTOR & DIODE CONVERSION CHART

DEC	SI	DEC	SI

TITLE: DEC PAK INDEX AND SECTOR  
 EQUIPMENT CORPORATION  
 M7700-0-1  
 SHEET 1 OF 2

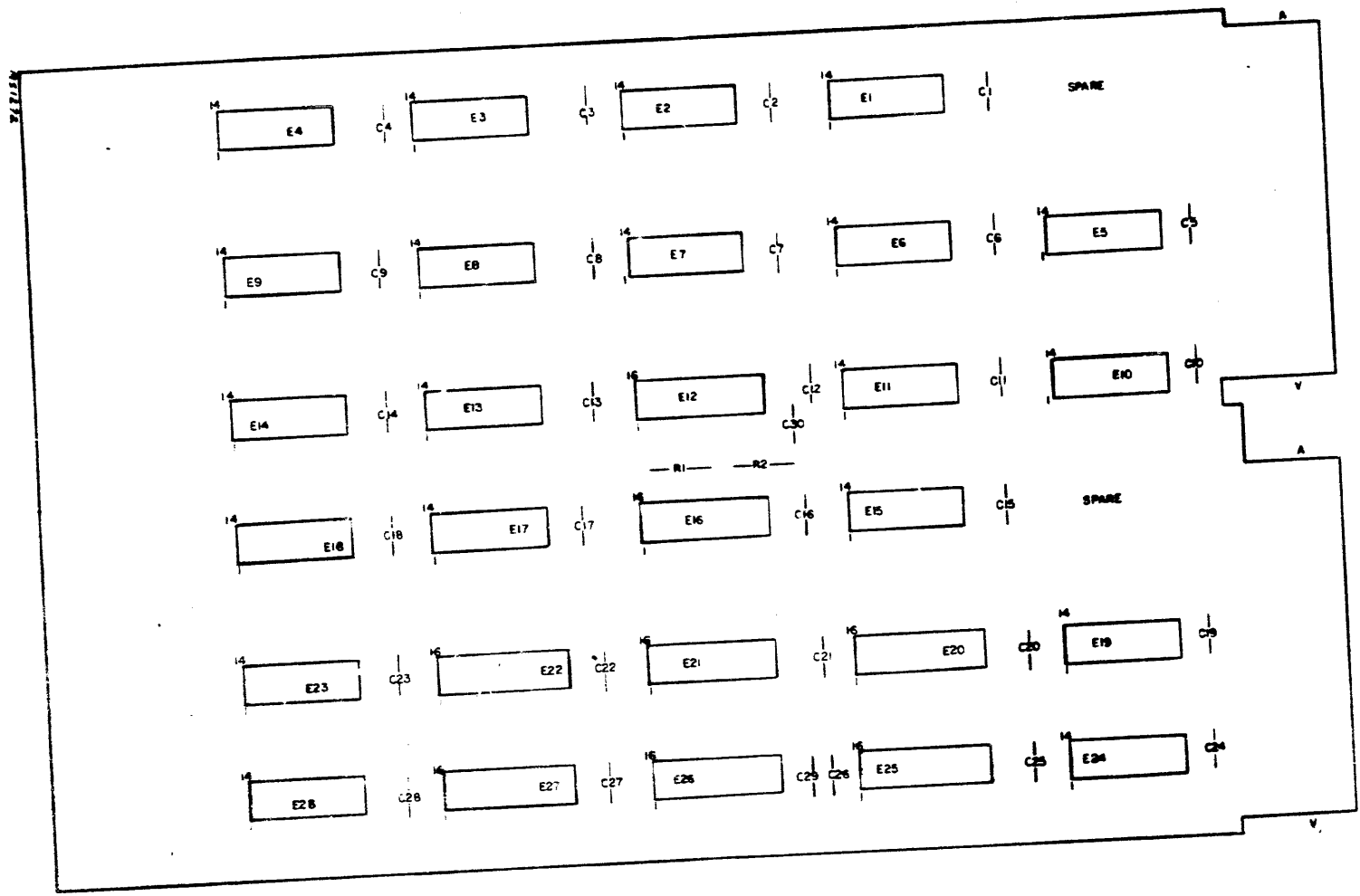


PARTS LIST		QTY.	DESCRIPTION	PART NO.	ITEM NO.
UNLESS OTHERWISE SPECIFIED DIMENSIONS IN INCHES TOLERANCES					
DECIMALS	ANGLES		DATE		
.010	16°		6-7-72		
REMOVE DIMS AND BREAK DIMS EXCEPT DIMENSIONS SHOWN					
TITLE					
DEC PAK INDEX AND SECTOR					
DRAWN BY: [Signature]					
CHECKED BY: [Signature]					
APPROVED BY: [Signature]					
MATERIAL					
NEXT NUMBER ASBY					
SCALE					
SHEET 2 OF 2					
EQUIPMENT CORPORATION					
NUMBER M770-1					
REV N					

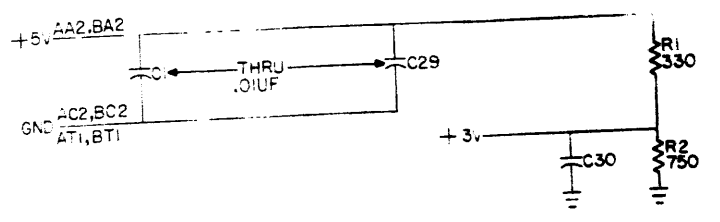
SLOT 2

REV 1  
CHG 1  
NO 1  
DATE 6-7-72

This drawing and specifications herein are the property of Digital Equipment Corporation and shall not be reproduced or copied in whole or in part without the express written permission of Digital Equipment Corporation.



UNLESS OTHERWISE INDICATED:  
 PIN 8 = GND  
 PIN 1 = +5V  
 PIN 5 = +5V  
 PIN 12 = +5V  
 PIN 16 = +5V  
 PIN 8 = GND  
 PIN 16 = +5V  
 PIN 1 = +5V  
 PIN 7 = GND



QTY	REF DESIGNATION	DESCRIPTION	PART NO	ITEM NO
		BYELIST #034-7	9006732	22
		HANDLE, FLIP CHIP - MAGENTA	9008337-C6	21
2	E20, E25	I.C. DEC 74175	1910551	20
2	E5, E17	I.C. DEC 7437	1910091	19
2	E19, E24	I.C. DEC 380	1909485	18
2	E15, E16	I.C. DEC 74193	1910018	17
2	E23, E28	I.C. DEC 7486	1910011	16
4	E21, E22, E26, E27	I.C. DEC 7483	1909932	15
2	E7, E11	I.C. DEC 7404	1909650	14
1	E1	I.C. DEC 7402	1909004	13
1	E11	I.C. DEC 7440	1905575	12
1	E11	I.C. DEC 7410	1905570	11
2	E15, E16	I.C. DEC 7410	1905575	10
4	E2, E6, E10, E12	I.C. DEC 7400	1905547	9
4	E3, E4, E8, E9	I.C. DEC 7474	1304401	8
1	RES.	750 $\frac{1}{4}$ W 5%	1300295	7
1	RES.	330 $\frac{1}{4}$ W 5%	1210244-C	6
1	R1	GRIPLET	1001610	5
30	C1 - C30	CAP. .01UF 100V 20% DISC	+G09710	4
1		ETCHED CIRCUIT BOARD	B-MH-M7702-C-5	3
		MODULE BCO HISTORY	E-MH-M7702-C-5	2
		ASSY/DRILLING HOLE LAYOUT	K-C8-M7702-C-4	1
		X-Y COORDINATE HOLE LOCATION		

CHK	CHANGE NO.	REV

ETCH BOARD REV C

DRN: Roger J. [Signature] DATE: 11-77-71

CHKD: [Signature] DATE: 12-14-71

APP: [Signature] DATE: 12-16-71

PROD. DATE: [ ]

NEXT HIGHER ASSY: [ ]

SCALE: [ ] OF 2

SHEET: [ ] OF 2

SIZE CODE: DCS

NUMBER: M7702-0-1

REV: C

TITLE: DEC PACK ADDR ANT

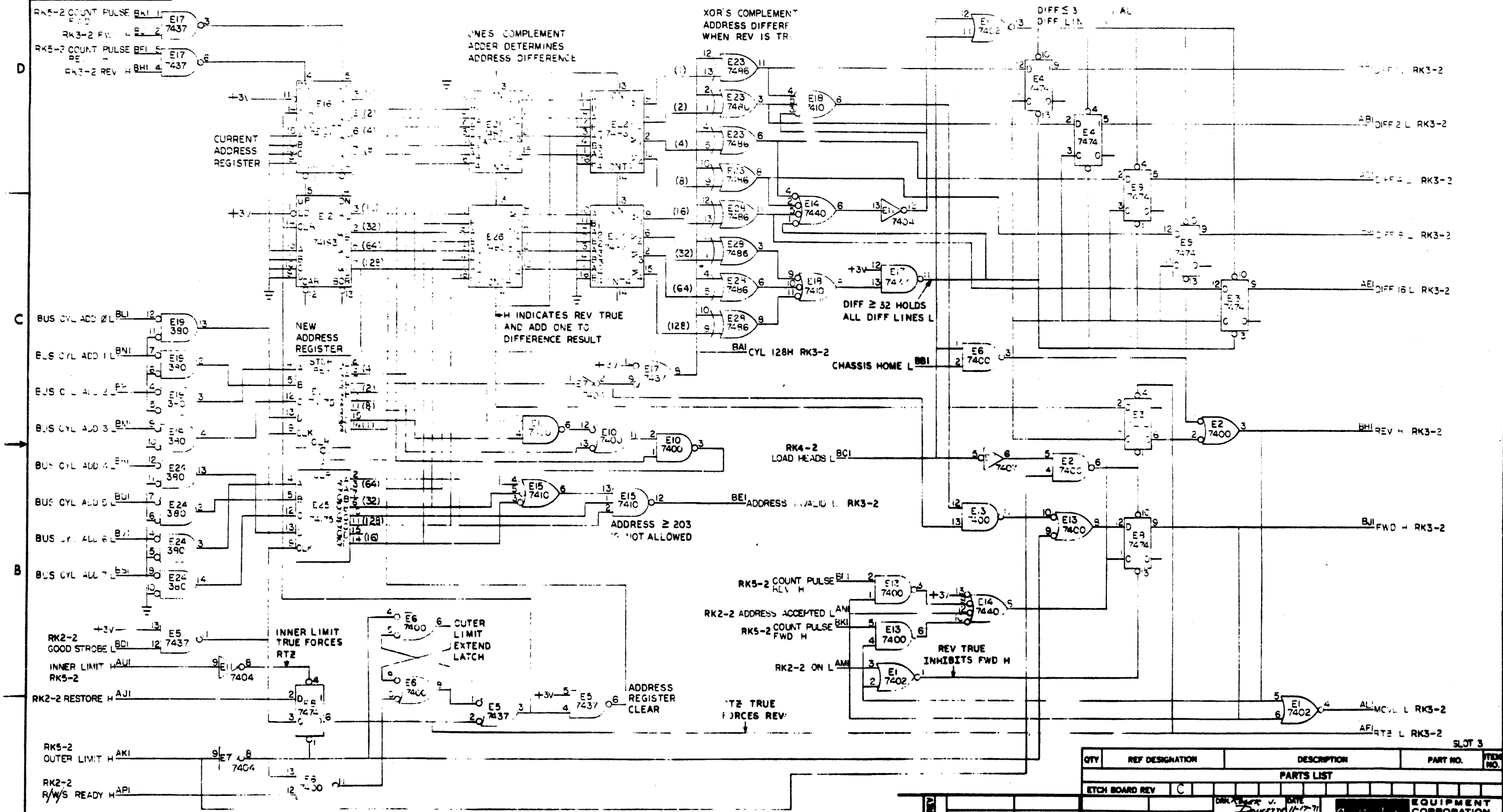
PK3-1

SEMICONDUCTOR CONVERSION CHART

REV C M7702-0-1

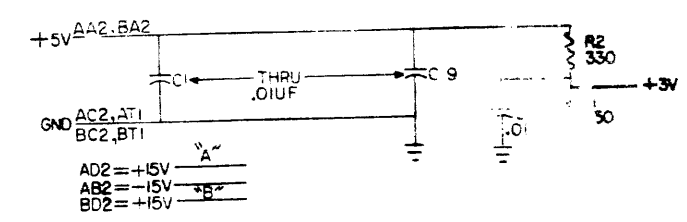
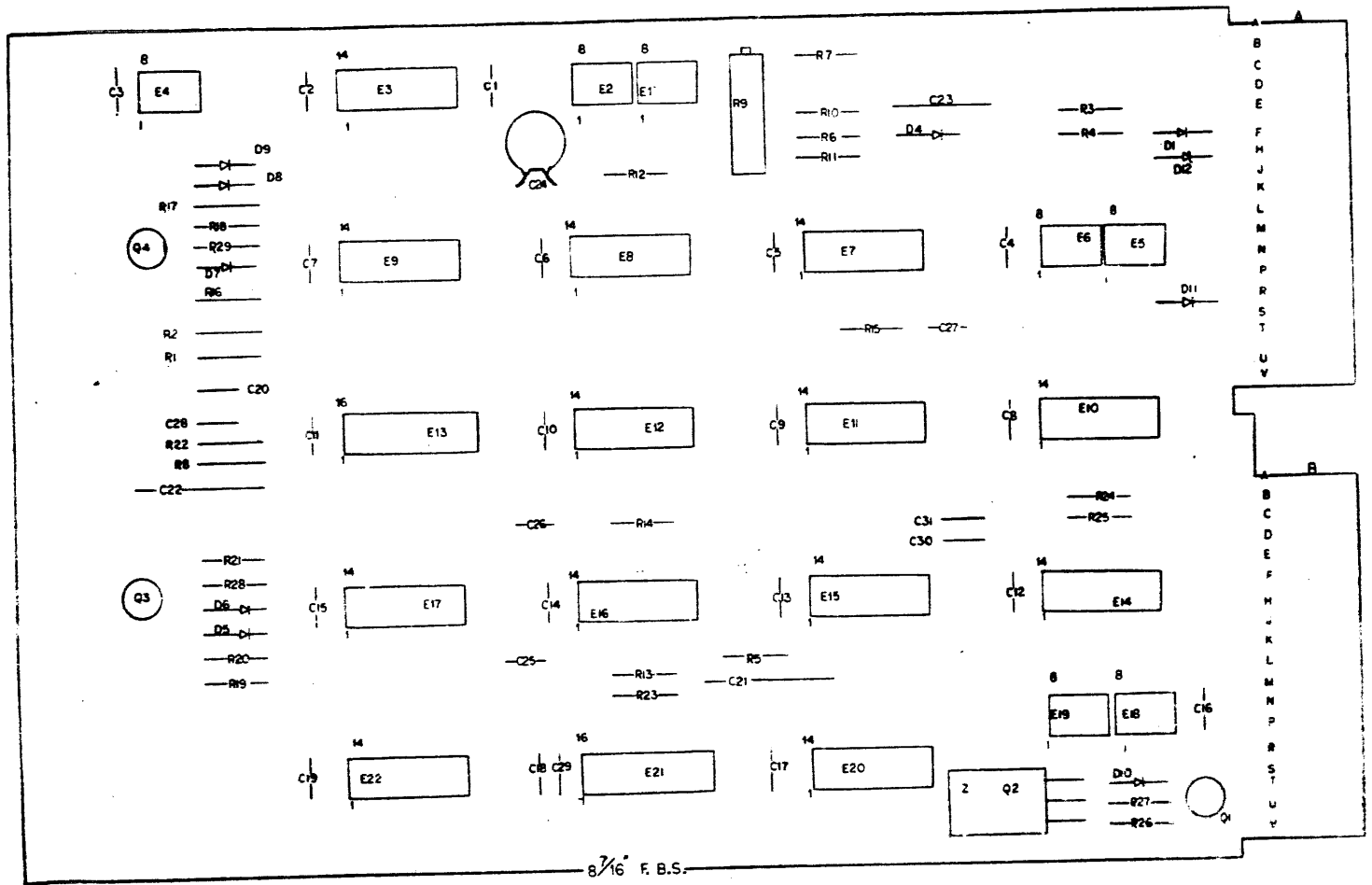


This drawing and specifications, herein, are the property of Digital Equipment Corporation and shall not be reproduced or used in whole or in part as the basis for the manufacture or sale of items without written permission.



QTY	REF DESIGNATION	DESCRIPTION	PART NO.	ITEM NO.
PARTS LIST				
ETCH BOARD REV C				
EQUIPMENT CORPORATION				
TITLE DEC PACK C.L. ADDR AND DIFF				
RK3-2				
DICS M7702-0-1 C				
SEMICONDUCTOR CONVERSION CHART				
DEC NO.	EIA NO.	DEC NO.	EIA NO.	SCALE
				SHEET 2 OF 2

This drawing and specifications, herein, are the property of Digital Equipment Corporation and shall not be reproduced or copied in whole or in part without the written consent of Digital Equipment Corporation.



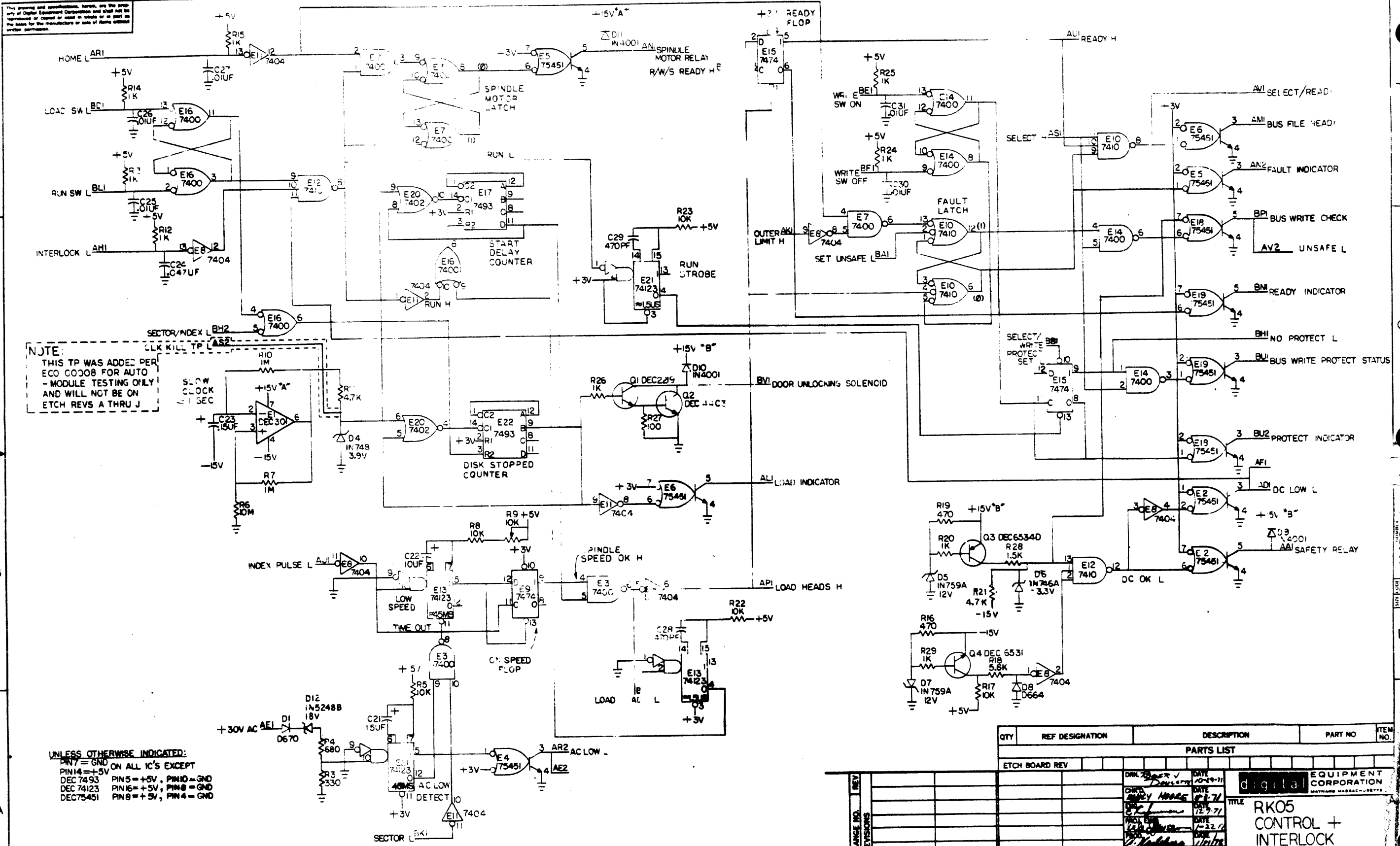
QTY	REF. DESIGNATION	DESCRIPTION	PART NO.	ITEM NO.
1	C24	CAP .047UF 16V DISC	1009673	50
1	D12	DIODE 1N5248B 18V 5%	1110765	49
1		NUT KEP #4	9006557	48
1		SCREW 4-40 X 5/16	5006010-1	47
2		HANDLE, FLIP CHIP - MAGENTA	9006337-05	46
4		RYELET #05L-7	9006734	45
1	E1	I.C. DEC 30V	1910287	44
6	E2, 4, 6, 5, 18, 19	I.C. DEC 75451	1910406	43
2	E21, 23	I.C. DEC 74123	1910436	42
2	E22, 27	I.C. DEC 7493	1909054	41
2	E9, 15	I.C. DEC 7474	1905547	40
2	E13, 10	I.C. DEC 7410	1905576	39
2	E11, 8	I.C. DEC 7404	1909686	38
1	E20	I.C. DEC 7402	1909004	37
1	E3, 7, 14, 11	I.C. DEC 7400	1905575	36
1	Q2	TRANSISTOR DEC 44C3	1510171	35
1	Q3	TRANSISTOR DEC 6534D	1503409-00	34
1	Q1	TRANSISTOR DEC 2219	1501881	33
1	Q4	TRANSISTOR DEC 6511	1509138	32
1	R9	RES. 10K 3/4W 10% 76FR	1309143-10	31
1	R5	RES. 10M W 5%	1302666	30
1	R6	RES. 10M W 5%	1309595	29
2	R7, 10	RES. 1M W 5%		28
5	R17, 5, 22, 23, 8	RES. 10K W 5%	1300479	26
1	R18	RES. 5.6K W 5%	1301874	25
1	R11, R21	RES. 4.7K W 5%	1300447	24
1	R4	RES. 680 W 5%	1301478	23
1	R28	RES. 1.5K W 5%	1300391	22
9	R12, 13, 14, 29, 15, 20, 24, 25, 26	RES. 1K W 5%	1300365	21
1	R3	RES. 750 W 5%	1301401	20
2	R16, 19	RES. 4.70 W 5%	1300316	19
2	R2, 3	RES. 330 W 5%	1300295	18
1	R27	RES. 100 W 5%	1300229	17
1		ORIFLETS	1210244-0	16
2	D5, 7	DIODE 1N7595 12V	1110643	15
1	D4	DIODE 1N746 3.9V	1100121	14
1	D6	DIODE 1N746A 3.9V	1104860	13
2	D7, 20, 11	DIODE 1N4001	1102942	12
1	D1	DIODE D670	1102162	11
1	D8	DIODE D644	1100114	10
2	C26, 29	CAP. 470PF 100V 5% D.M.	1000024	9
1	C23	CAP. .15UF 35V 20% TANT	1002180	8
1	C22	CAP. 10-UF 25V 10% TANT	1004813	7
1	C21	CAP. 15UF 20V 10% TANT	1004812	6
25	C4, 20, 25, 27, 30, 31	CAP. .01UF 100V 20% DISC	1001610	5
1		HYCHRD CIRCUIT BOARD	5009714	4
1		MODULE ECO HISTORY	B-M7701-0-6	3
		ASSY/DRILLING HOLE LAYOUT	E-M7701-0-5	2
		1-Y COORDINATE HOLE LOCATION	K-CG-M7701-0-4	1
QTY	REF. DESIGNATION	DESCRIPTION	PART NO.	ITEM NO.

CHK	REV	DATE	BY
	1	11/23/72	D. JENSEN
	2	12/1/72	D. JENSEN
	3	12/1/72	D. JENSEN
	4	12/1/72	D. JENSEN
	5	12/1/72	D. JENSEN
	6	12/1/72	D. JENSEN
	7	12/1/72	D. JENSEN
	8	12/1/72	D. JENSEN
	9	12/1/72	D. JENSEN
	10	12/1/72	D. JENSEN
	11	12/1/72	D. JENSEN
	12	12/1/72	D. JENSEN
	13	12/1/72	D. JENSEN
	14	12/1/72	D. JENSEN
	15	12/1/72	D. JENSEN
	16	12/1/72	D. JENSEN
	17	12/1/72	D. JENSEN
	18	12/1/72	D. JENSEN
	19	12/1/72	D. JENSEN
	20	12/1/72	D. JENSEN
	21	12/1/72	D. JENSEN
	22	12/1/72	D. JENSEN
	23	12/1/72	D. JENSEN
	24	12/1/72	D. JENSEN
	25	12/1/72	D. JENSEN
	26	12/1/72	D. JENSEN
	27	12/1/72	D. JENSEN
	28	12/1/72	D. JENSEN
	29	12/1/72	D. JENSEN
	30	12/1/72	D. JENSEN
	31	12/1/72	D. JENSEN
	32	12/1/72	D. JENSEN
	33	12/1/72	D. JENSEN
	34	12/1/72	D. JENSEN
	35	12/1/72	D. JENSEN
	36	12/1/72	D. JENSEN
	37	12/1/72	D. JENSEN
	38	12/1/72	D. JENSEN
	39	12/1/72	D. JENSEN
	40	12/1/72	D. JENSEN
	41	12/1/72	D. JENSEN
	42	12/1/72	D. JENSEN
	43	12/1/72	D. JENSEN
	44	12/1/72	D. JENSEN
	45	12/1/72	D. JENSEN
	46	12/1/72	D. JENSEN
	47	12/1/72	D. JENSEN
	48	12/1/72	D. JENSEN
	49	12/1/72	D. JENSEN
	50	12/1/72	D. JENSEN

digital EQUIPMENT CORPORATION  
 TITLE DISK ENG. CONTROL + INTERLOCK  
 NUMBER M7701-C-1  
 SCALE DIST. OF 2

SEMICONDUCTOR CONVERSION CHART

This drawing and specifications, herein, are the property of Digital Equipment Corporation and shall not be reproduced or copied in whole or in part in any form or by any means without the written permission of Digital Equipment Corporation.



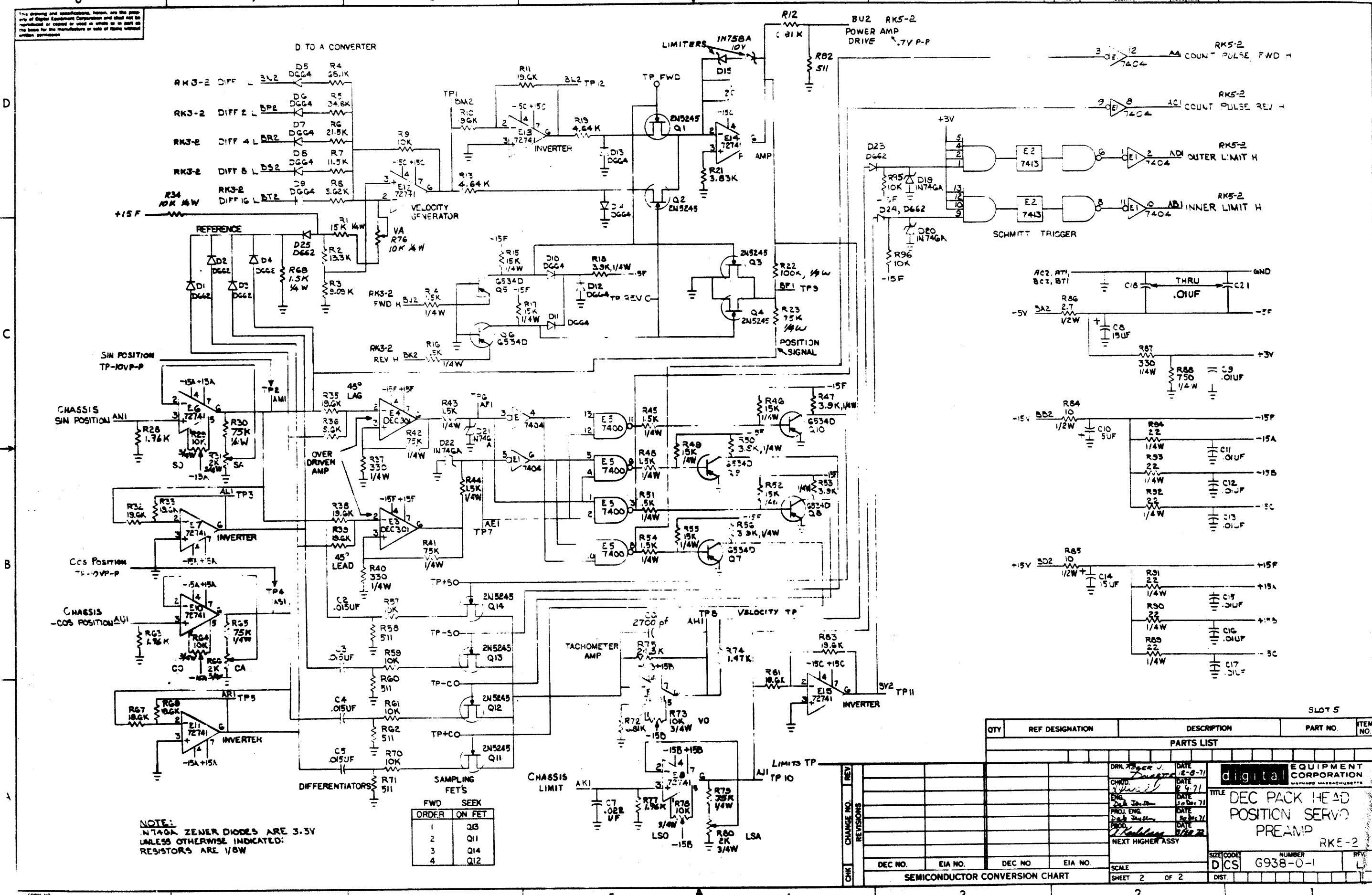
**NOTE:**  
THIS TP WAS ADDED PER ECO 0008 FOR AUTO-MODULE TESTING ONLY AND WILL NOT BE ON ETCH REVS A THRU J

**UNLESS OTHERWISE INDICATED:**  
PIN 7 = GND  
PIN 14 = +5V ON ALL IC'S EXCEPT  
DEC 7493 PIN 5 = +5V, PIN 10 = GND  
DEC 74123 PIN 6 = +5V, PIN 8 = GND  
DEC 75451 PIN 8 = +5V, PIN 4 = GND

QTY	REF DESIGNATION	DESCRIPTION	PART NO	ITEM NO.
<b>PARTS LIST</b>				
ETCH BOARD REV				
DRN: [Signature] DATE: 12-9-71 CHN: [Signature] DATE: 12-9-71 [Signature] DATE: 12-9-71 [Signature] DATE: 12-9-71 [Signature] DATE: 12-9-71 NEXT HIGHER ASSY				
TITLE: <b>RK05 CONTROL + INTERLOCK</b>			EQUIPMENT CORPORATION MAYNARD MASSACHUSETTS	
DEC NO.		EIA NO.		SCALE
DEC NO.		EIA NO.		SHEET 2 OF 2
SEMICONDUCTOR CONVERSION CHART				
DCS			NUMBER M7701-0-1	



This drawing and specifications, herein, are the property of Digital Equipment Corporation and shall not be reproduced or copied in whole or in part on any basis for the manufacture or sale of items without written permission.



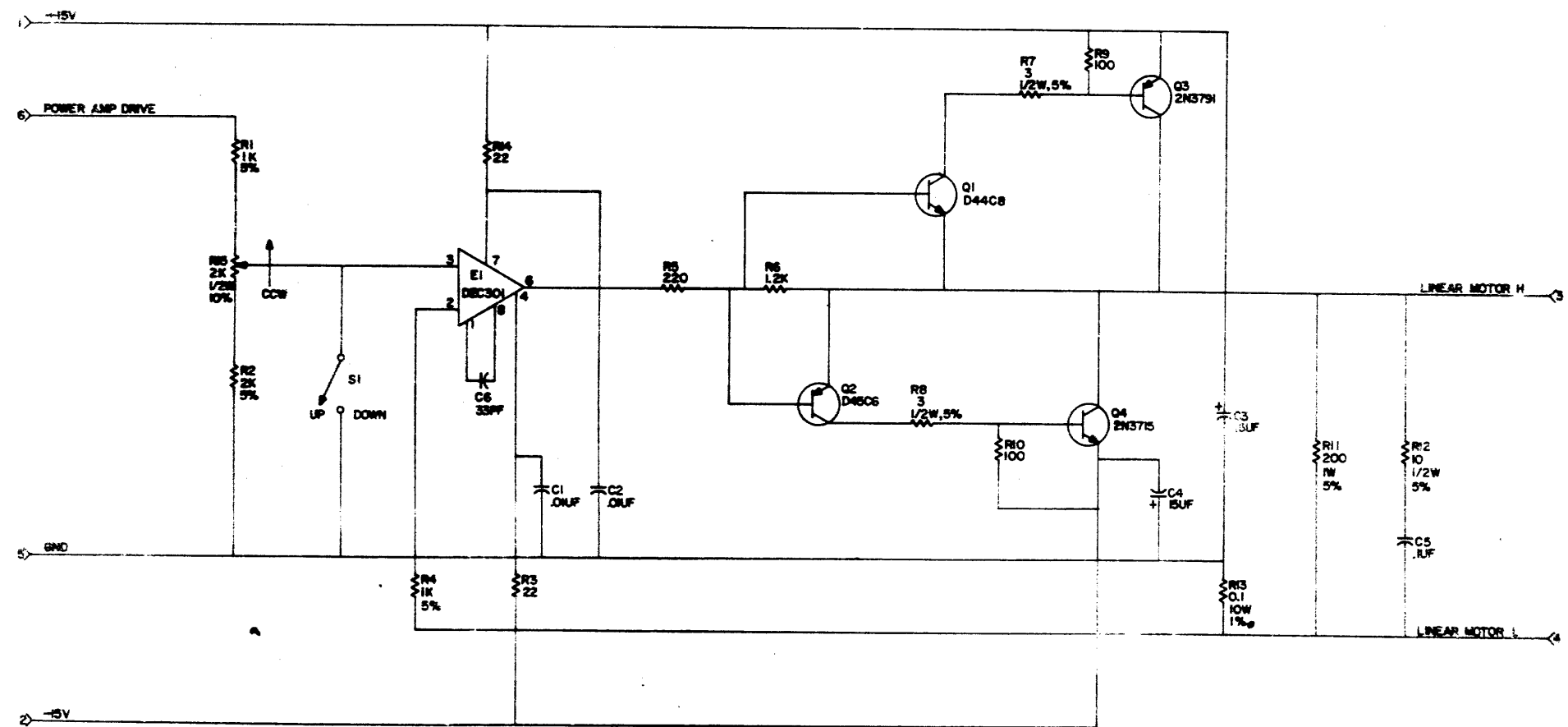
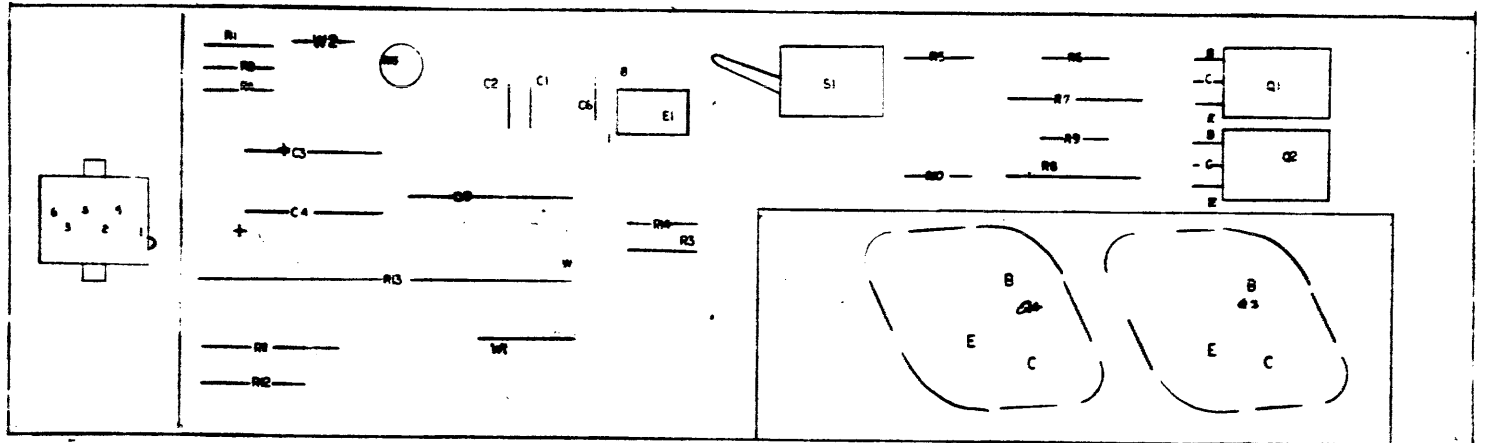
NOTE: N1404A ZENER DIODES ARE 3.3V UNLESS OTHERWISE INDICATED. RESISTORS ARE 1/8W

Table with 2 columns: ORDER, QN FET. Rows: 1 Q13, 2 Q11, 3 Q14, 4 Q12

Parts list table with columns: QTY, REF DESIGNATION, DESCRIPTION, PART NO., ITEM NO. Includes title 'DEC PACK HEAD POSITION SERVO PREAMP' and 'SEMICONDUCTOR CONVERSION CHART'.

G938-0-1

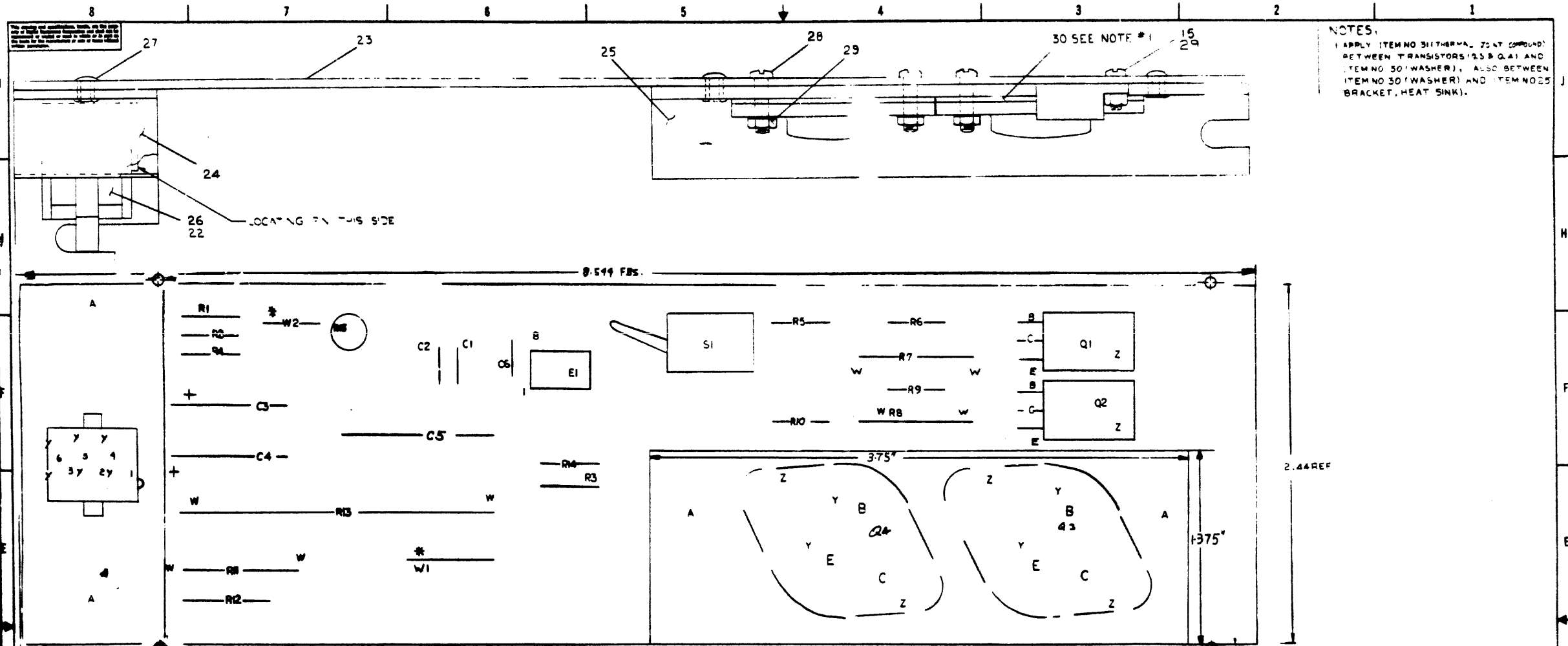
THIS SCHEMATIC IS FURNISHED ONLY FOR TEST AND MAINTENANCE PURPOSES. THE CIRCUITS ARE PROPRIETARY IN NATURE AND SHOULD BE TREATED ACCORDINGLY. COPYRIGHT © 1971 BY AERIAL EQUIPMENT CORPORATION.



UNLESS OTHERWISE INDICATED:  
RES. ARE 1/4W, 10%  
R13 IS A CURRENT SAMPLING RES.



TRANSISTOR & DIODE CONNECTION CHART				TITLE	
DEC	EN	ESC	EN	DEC	EN
				DECPAK HEAD POS SERVO PWR AMP.	
EQUIPMENT CORPORATION				REV	REV
D	CS	H804-0-1			
REVISION CHART REV.					



NOTES:  
 1. APPLY ITEM NO BITHERMAL JOINT COMPOUND BETWEEN TRANSISTORS (Q1 & Q2) AND ITEM NO 30 (WASHER). ALSO BETWEEN ITEM NO 30 (WASHER) AND ITEM NO 25 BRACKET, HEAT SINK).

IC TYPE	QTY	REV	DATE	BY	CHKD	APP'D	TO PT

QTY	DESCRIPTION	UNIT	REF
32	9 22 AWG JUMPER WIRE	9107540-01	32
31	COMPOUND THERMAL JOINT	9005268	31
30	INSULATOR WASHER	9006731	30
28	HEX NUT 4-40	9006237	28
28	SCR BUSHER HD. SLOTTED 4-40-88L	9006012-4	28
27	SCREW .1250 X .250 L6	9006732	27
26	6 PIN MATE-N-LOCK	20880-06	26
25	BRACKET, HEAT SINK	C-MD-350280-0-0	25
24	BRACKET, SERVO BOARD	C-MD-350280-0-0	24
19	ETCHED CIRCUIT BOARD	9003741	19
22	PINS FOR MATE-N-LOCK	209454	22
21	IC LM301	9-0282	21
20	TRANS 2N375	15-3048	20
19	TRANS 2N3781	509581	19
18	TRANS DPC D46C6	150414	18
7	TRANS DEC D46C8 ON TIP 3A	15-0421	7
16	RES 1K .25W .5%	300365	16
15	SCREW 4-40X1/4 BINDER HD. SLOTTED	9005009-4	15
14	POY 2K 1/2 W 10X 62 BR	302340	14
13	RES 12K .25W .10%	300366	13
12	RES 820 .25W .10%	300279	12
11	RES 200 .1W .5%	302368	11
10	RES 100 .25W .10%	300331	10
9	RES 22 .25W .10%	300186	9
8	RES 10 .5W .5%	300188	8
7	RES 3 .5W .5%	301648	7
6	RES .10W .1%	300908	6
5	SWITCH TOGGLE T-BOOM	18-0269	5
4	CAP 15UF .20V .10%	004812	4
3	CAP 33PF .100V .5%	000009	3
2	CAP .1UF .100V .10%	003342	2
1	CAP .01UF .100V .50%	100160	1
24	MODULE ECO HISTORY	B-MW-404-0-6	24
25	X-Y COORDINATE HOLE LOCATION	X-CO-1604-0-6	25
26	CIRCUIT SCHEMATIC	D-CS-1604-0-1	26

REV	DESCRIPTION	DATE	BY	CHKD
26	REP	12/23/88		
25	REP			
24	REP			

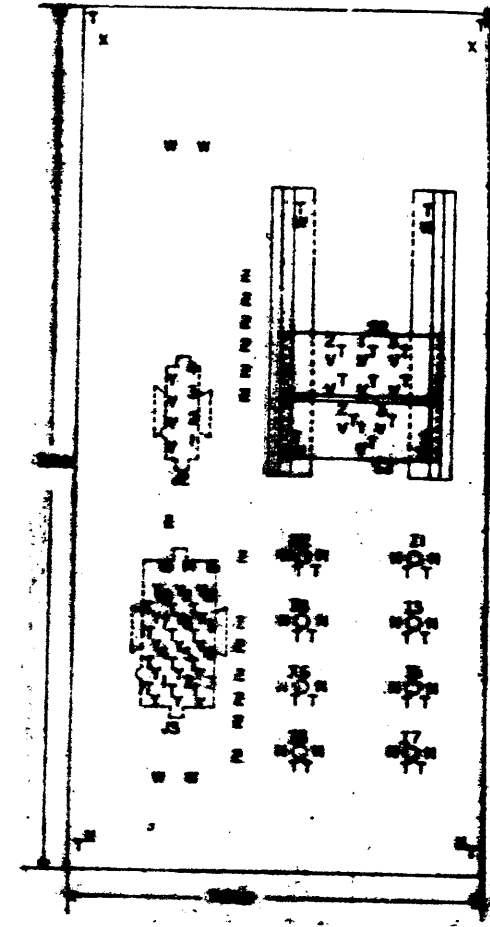
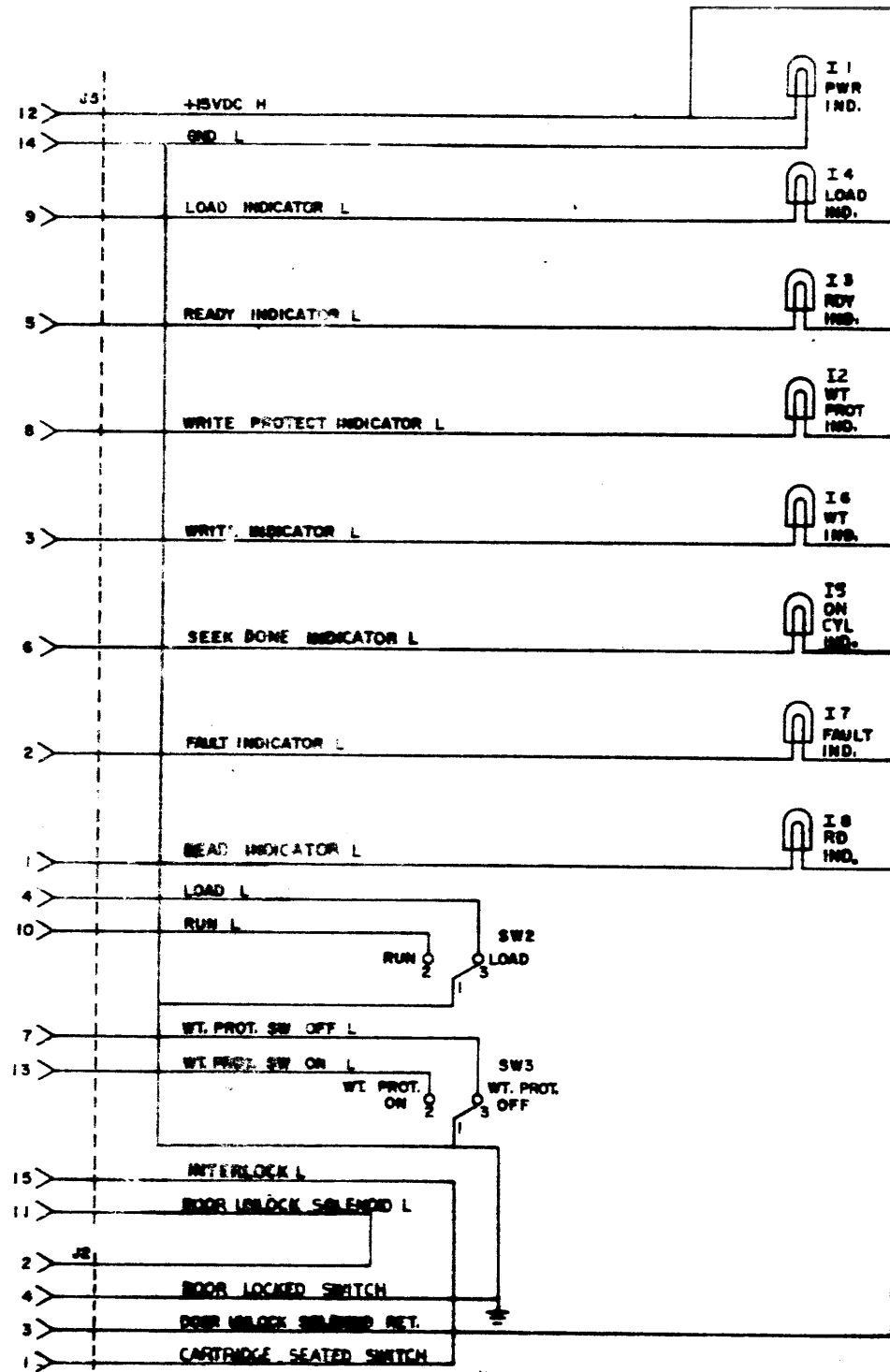
REV	DESCRIPTION	DATE	BY	CHKD

REV	DESCRIPTION	DATE	BY	CHKD

EQUIPMENT CORPORATION  
 HEAD POSITION SERVO POWER AMP

EUA1604-0-1

THIS SCHEMATIC IS FURNISHED ONLY FOR TEST AND MAINTENANCE PURPOSES. THE CIRCUITS ARE PROPRIETARY IN NATURE AND SHOULD BE TREATED ACCORDINGLY. COPYRIGHT 1971 BY DIGITAL EQUIPMENT CORPORATION



REV. D  
 DRAWING NUMBER  
 CS 5400088-0-1

REVISIONS

REV.	DATE	BY	DESCRIPTION
1			
2			
3			
4			
5			
6			
7			
8			
9			
10			
11			
12			
13			
14			
15			

S. G. ...  
 H-2-3  
 7-11

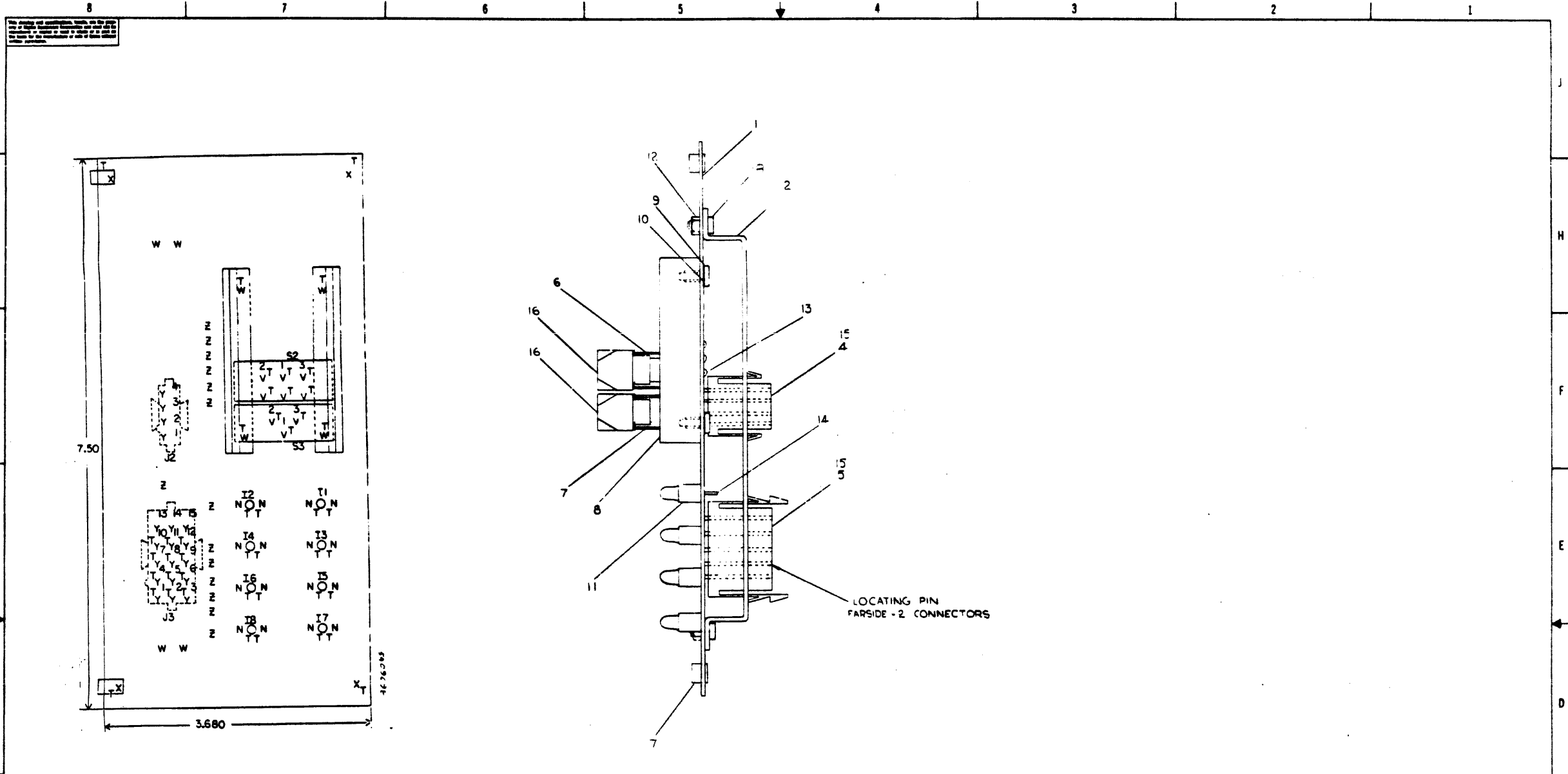
TRANSISTOR & DIODE CONVERSION CHART

SEC	ISA	SEC	ISA

EQUIPMENT CORPORATION

TITLE		REV.	
RK05 CONTROL PANEL		RK7-1	
C	CS	5400088-0-1	D





8 7 6 5 4 3 2 1

J H F E D C B A

NO.	TYPE	QTY	DESCRIPTION

LOCATING PIN FAR-SIDE - 2 CONNECTORS

REF	DESCRIPTION	QTY	REF.
1	DRILLING HOLE LAYOUT	DAW 54096-001	19
2	SCREW PAN HEAD #4-40 X 5/16	900420-01	2
3	NUT CLIP #6-32	900425	7
4	SWITCH BUTTON	2093 1-01	1
5	PIN SOCKET MATE-N-LOCK	120855	5
6	TERMINAL SOLDERLESS	900752	4
15	EYELET FEED THROUGH	900751	1
16	NUT #6-32	900425	7
11, 12, 13, 14, 15, 16, 17, 18	BAR	120919	11
4	LOCK WASHER INTERNAL 6-32	900663	2
4	SCREW PAN HEAD #4-40 X 1/4	900601	9
2	SWITCH MOUNTING BAR	B-HD-54096-10	0
1	SWITCH, ROCKER	1209379	7
1	SWITCH, ROCKER	2094	5
1	HOUSING, SOCKET MATE-N-LOCK	1209370 15	5
1	HOUSING, SOCKET MATE-N-LOCK	209380 DA	4
1	CONNECTOR BRACKET	CHD-77 99230	3
1	ETCHED CIRCUIT BOARD	500967	1
REP	MODULE ECO HISTORY	B-HD-54096-01	0
REP	COORDINATE HOLE LOCATION	ALD 54096-04	0
REP	CIRCUIT SCHEMATIC	DIG 54 37-1	0
QTY	REF DESIGNATION	DESCRIPTION	REV. NO.

REV	DESCRIPTION

REV	DESCRIPTION

EQUIPMENT CORPORATION CONTROL PANEL RK25

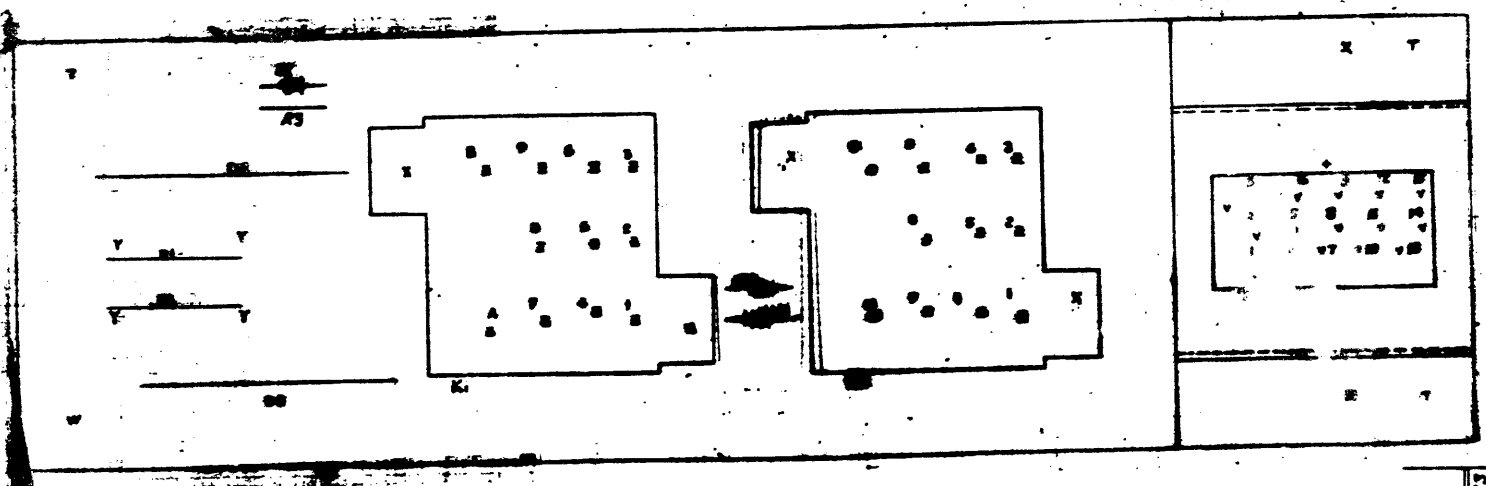
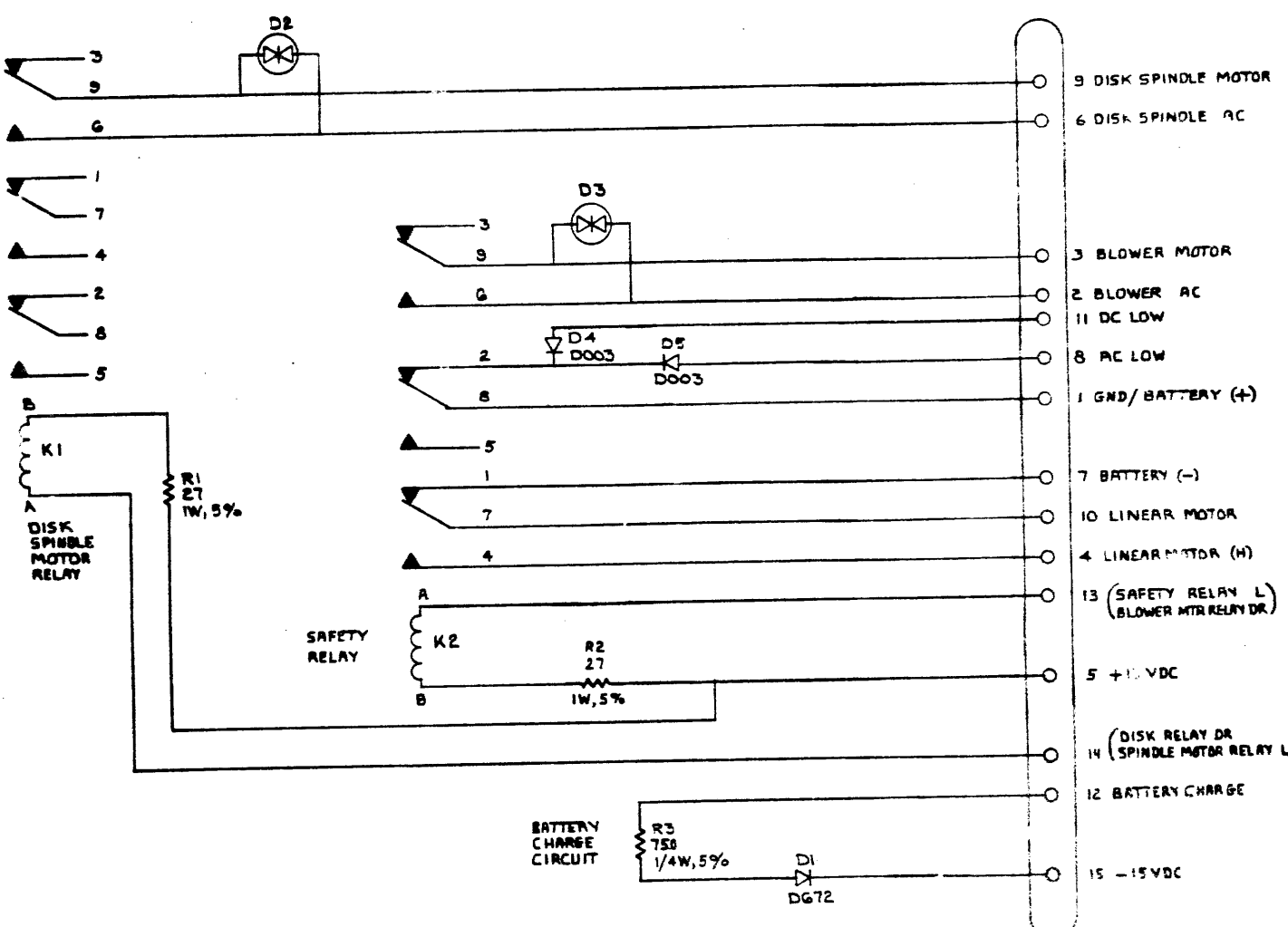
8 7 6 5 4 3 2 1

J H F E D C B A

8 7 6 5 4 3 2 1

The drawing and specifications herein are the property of Digital Equipment Corporation and shall not be reproduced, or copied or used in whole or in part, in any form or by any means, electronic, mechanical, photocopying, recording, or by any information storage and retrieval system, without the prior written permission of Digital Equipment Corporation.

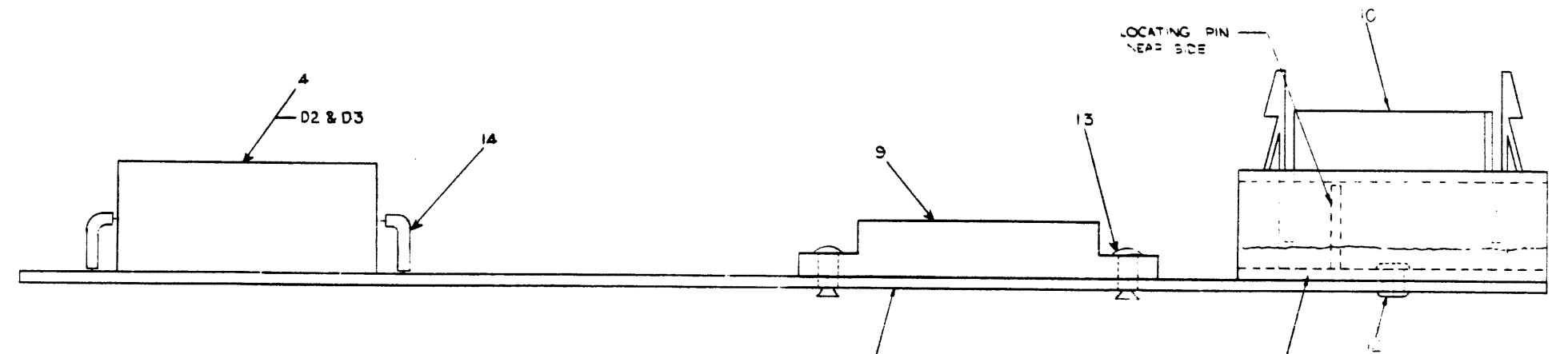
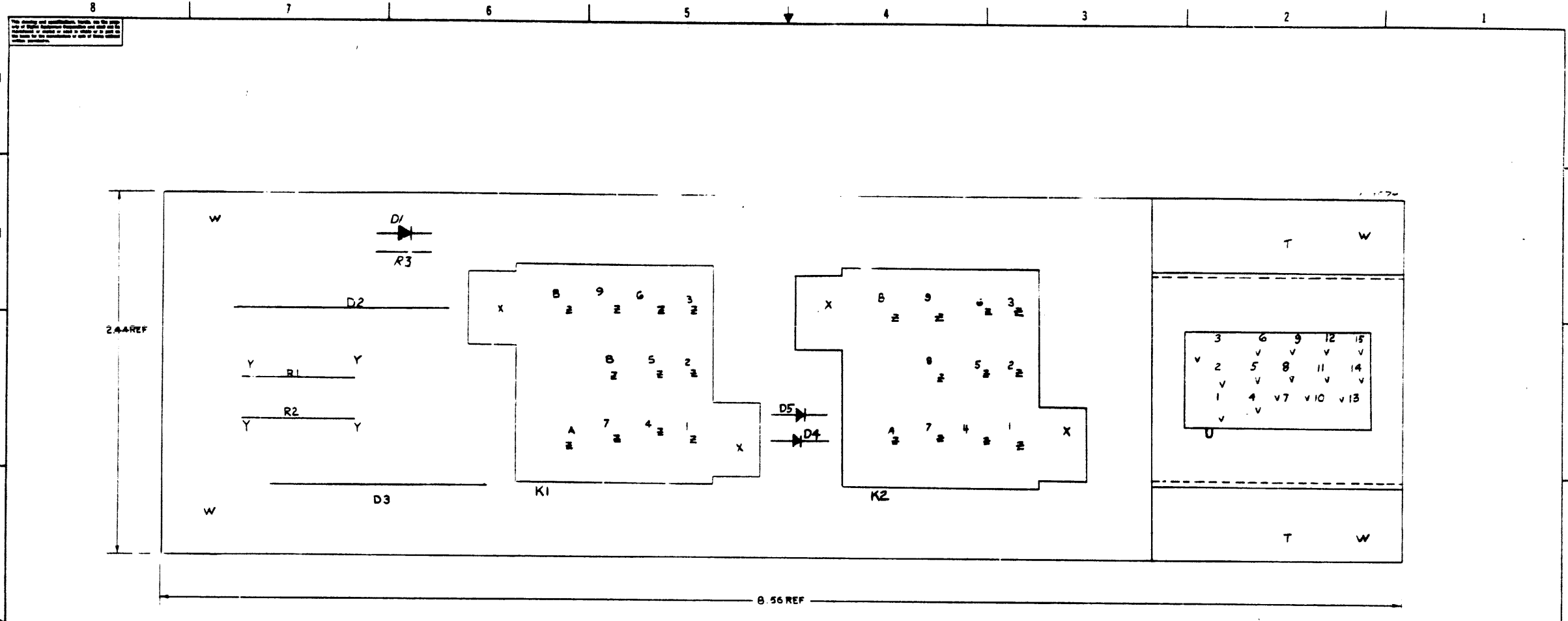
NOTE:  
 1. RELAY CONTACTS ARE SHOWN IN THE DE-ENERGIZED POSITIONS.  
 2. SAFETY RELAY L AND BLOWER MTR RELAY DR ARE THE SAME SIGNAL.  
 3. SPINDLE MOTOR RELAY L AND DISK RELAY DR ARE THE SAME SIGNAL.



QTY	REF DESIGNATION	DESCRIPTION	PART NO.	ITEM NO.
		PARTS LIST		
		ETCH BOARD REV E		
		EQUIPMENT CORPORATION MAYNARD MASSACHUSETTS		
		DEC PACK MOTOR RELAYS		
			NUMBER DICS 5409574-0-1	REV. E
SEMICONDUCTOR CONVERSION CHART				
DEC. NO.	EIA. NO.	DEC. NO.	EIA. NO.	

5409574-0-1

DO NOT SCALE DIMENSIONS FROM THIS DRAWING. DIMENSIONS ARE TO BE TAKEN FROM THE PARTS LIST AND THE DIMENSIONS OF THE PARTS LISTED THEREIN.




REF	DESCRIPTION	QTY	REF DESIGNATION	DESCRIPTION	QTY
1	TUBING #16 AWG TEFLON	2			
2	RIVET, POP 12.5 DIA X 2.42 LG	50			
3	EYELET .020 DIA X .189 LG	500			
4	PINS FOR MATE-IN-LOCK	100			
5	PIN MATE-IN-LOCK	100			
6	RELAY SOCKETS	2			
7	RELAY	2	K1 K2	RELAY 5BR25AD1000	2
8	RESISTOR 27 W 5%	1	R1 R2		1
9	RESISTOR 27 W 5%	1	R3		1
10	MODE	1	D1		1
11	MODE	2	D2 D3		2
12	MODE	2	D4 D5		2
13	MODIFIED CIRCUIT BOARD	1			
14	MODULE ECO HISTORY	1			
15	BRACKET MOTOR RELAY	1			
16	X-Y COORD. G.C.E. LOCAT	1			
17	CIRCUIT SCHEMATIC	1			

**CAUTION**  
CHANGE COULD AFFECT U.I. LISTING

FIRST USED ON  
RK05

D. JENSEN  
540554 00001 E

DEC. NO.	EIA NO.	DEC. NO.	EIA NO.

EQUIPMENT CORPORATION  
DEC-04  
MOTOR

9

7

6

5

4

3

2

1

This drawing and specifications remain the property of Digital Equipment Corporation and shall not be reproduced or copied in whole or in part, or the same for the manufacture or sale of any similar article without written permission.

INTERFACE CABLE

FILE READY	B28-A
HEAD SELECT L	B28-M
WRITE PROTECT STATUS	B28-F
ERASE RATE	B29-A
WRITE CHECK L	B29-M
SEEK INCOMPLETE	B29-F
R/W/S READY L	B29-A
WRITE RATE	B29-M
STROBE	B29-F
SELECT 4 L	B29-A
ADDRESS INVALID	B29-M
SELECT 1 L	B29-F
ADDRESS ACCEPTED L	B29-A
SELECT 2 L	B29-M
READ CLOCK	B29-F
READ DATA	B29-A
SELECT 3 L	B29-M
WRITE DATA AND CLOCK L	B29-F
SECTOR PULSE L	B29-A
CYLINDER ADDRESS 0 L	B29-M
CYLINDER ADDRESS 1 L	B29-F
CYLINDER ADDRESS 2 L	B29-A
CYLINDER ADDRESS 3 L	B29-M
CYLINDER ADDRESS 4 L	B29-F
CYLINDER ADDRESS 5 L	B29-A
CYLINDER ADDRESS 6 L	B29-M
CYLINDER ADDRESS 7 L	B29-F
INDEX PULSE L	B29-A
SECTOR ADDRESS 0 L	B29-M
SECTOR ADDRESS 1 L	B29-F
SECTOR ADDRESS 2 L	B29-A
SECTOR ADDRESS 3 L	B29-M
WRITE PROTECT SET L	B29-F
RESTORE L	B29-A
READ RATE L	B29-M
AC LOW	B29-F
DC LOW	B29-A
HIGH DENSITY L	B29-M

B29-A	GRN
B29-M	ORN/BLK
B29-F	RED/WHT
B29-A	GRN/BLK
B29-M	BLK/WHT
B29-F	ORN
B29-A	BLU/BLK
B29-M	RED
B29-F	BLK
B29-A	GRN/WHT
B29-M	BLU/WHT
B29-F	RED/BLK
B29-A	BLU
B29-M	WHT/BLK
B29-F	WHT
B29-A	BLK/WHT
B29-M	RED/WHT
B29-F	RED/BLK
B29-A	GRN
B29-M	ORN/BLK
B29-F	ORN
B29-A	ORN
B29-M	BLK
B29-F	RED

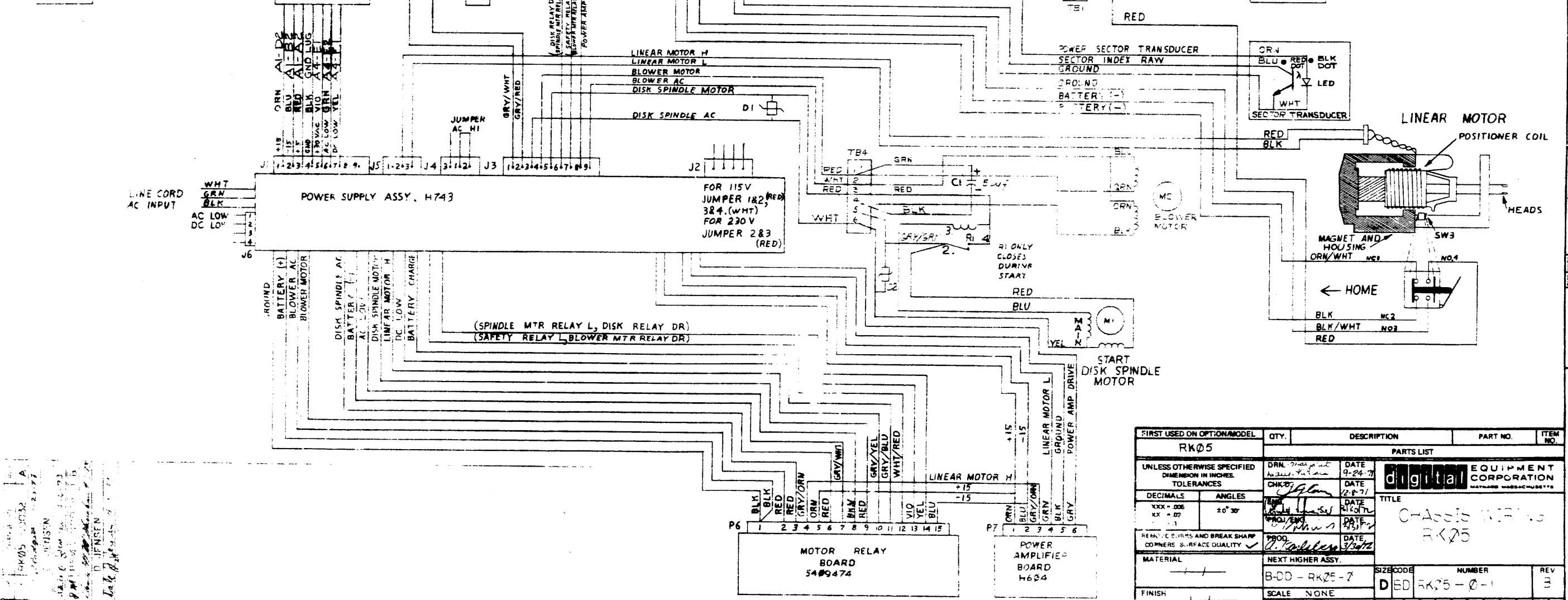
B29-A	GRN
B29-M	ORN/BLK
B29-F	RED/WHT
B29-A	GRN/BLK
B29-M	BLK/WHT
B29-F	ORN
B29-A	BLU/BLK
B29-M	RED
B29-F	BLK
B29-A	GRN/WHT
B29-M	BLU/WHT
B29-F	RED/BLK
B29-A	BLU
B29-M	WHT/BLK
B29-F	WHT
B29-A	BLK/WHT
B29-M	RED/WHT
B29-F	RED/BLK
B29-A	GRN
B29-M	ORN/BLK
B29-F	ORN
B29-A	ORN
B29-M	BLK
B29-F	RED

B29-A	GRN
B29-M	ORN/BLK
B29-F	RED/WHT
B29-A	GRN/BLK
B29-M	BLK/WHT
B29-F	ORN
B29-A	BLU/BLK
B29-M	RED
B29-F	BLK
B29-A	GRN/WHT
B29-M	BLU/WHT
B29-F	RED/BLK
B29-A	BLU
B29-M	WHT/BLK
B29-F	WHT
B29-A	BLK/WHT
B29-M	RED/WHT
B29-F	RED/BLK
B29-A	GRN
B29-M	ORN/BLK
B29-F	ORN
B29-A	ORN
B29-M	BLK
B29-F	RED

B29-A	GRN
B29-M	ORN/BLK
B29-F	RED/WHT
B29-A	GRN/BLK
B29-M	BLK/WHT
B29-F	ORN
B29-A	BLU/BLK
B29-M	RED
B29-F	BLK
B29-A	GRN/WHT
B29-M	BLU/WHT
B29-F	RED/BLK
B29-A	BLU
B29-M	WHT/BLK
B29-F	WHT
B29-A	BLK/WHT
B29-M	RED/WHT
B29-F	RED/BLK
B29-A	GRN
B29-M	ORN/BLK
B29-F	ORN
B29-A	ORN
B29-M	BLK
B29-F	RED

NOTES:

1. SAFETY RELAY L AND BLOWER MTR RELAY DR ARE THE SAME SIGNAL.
2. SPINDLE MOTOR RELAY L AND DISK RELAY DR ARE THE SAME SIGNAL.



FIRST USED ON OPTION/MODEL	QTY.	DESCRIPTION	PART NO.	ITEM NO.
RK05		PARTS LIST		
UNLESS OTHERWISE SPECIFIED DIMENSION IN INCHES TOLERANCES				
DECIMALS	ANGLES	TITLE		
XXX + .006	20° 30'	CHASSIS WIRING		
XX - .02		RK05		
REMOVE DIMS AND BREAK SHARP CORNERS SURFACE QUALITY				
MATERIAL	NEXT HIGHER ASSY.	PROO	DATE	
	B-DD - RK05 - 7			
FINISH	SCALE NONE	SIZE CODE	NUMBER	REV
	SHEET OF	D ED	RK05 - 0-1	3

Handwritten notes and signatures in the bottom left corner, including names like 'L. JENSEN' and dates.

DIGITAL EQUIPMENT CORPORATION MAYNARD, MASSACHUSETTS			LEGEND		QUANTITY / VARIATION							
ACCESSORY LIST			D	DOCUMENT	All RK05's for all	All RK05's for all	All RK05's for all	All RK05's for all	All RK05's for all	All RK05's for all	All RK05's for all	All RK05's for all
MADE BY DATE G. Schneider	CHECKED DATE 8/17/72	SECTION	C	DOCUMENT CHANGE NOTICE								
ENG DATE 2/17/72	PROD DATE 8/17/72	ISSUED SECT.	PE	PAPER TAPE ASCII	KIT CHECK	BY	DATE	INSTALLATION CHECK	BY	DATE		
			PM	PAPER TAPE READ-WRITE MODE								
ITEM NO.	DWG NO. / PART NO.	DESCRIPTION										
1	RK05-0	Customer Print Set (B-DD-RK05-0 Sheet one only)	1	1								
<del>2</del>	<del>DEC-RK05-TPR-1</del>	<del>ILLUSTRATED PARTS BREAK DOWN FOR RK05</del>	<del>1</del>	<del>1</del>								
3	DEC-00-RK05-DA	Maintenance Manual	1	1								
4	BC 11A-6	Unibus Cable 6 feet	1	1								
5	2200007	Head Cleaning Kit	1	1								
6	3010350-00	Disk Cartridge 12 Sector	1	0								
7	3010350-02	Disk Cartridge 16 Sector	0	1								
8*	A-AD-7009276-0-0	Mounting Hardware KIT	1	1								
9*	1209152-0-2 REF	Slide Chassis (Use set that was issued to Assy Line)	1	1								
	NOTE: The following items are additionally required when unit is shipped in a rack.											
10	749691-1	Shipping Bracket (Left Hand)	1	1								
11	749691-2	Shipping Bracket (Right Hand)	1	1								
12**	3611382	Drive Identification Numbers	1	1								
	*NOTE: If unit is shipped in a rack, Items 8 and 9 are mounted to the rack.											
	**NOTE: Attach the drive identification number set to the instruction sheet #DEC-16-(379)-1094-N573 using transparent adhesive tape. Insert sheet behind front cover of maintenance manual											
TITLE DECpack Assembly			ASSY. NO.	SIZE CODE A AL	NUMBER RK05-0-17			REV. E	ECO NO RK05-00052			
SHEET 1 OF 1			DIST.									

# DRAWING DIRECTORY

## CUSTOMER PRINT SET INDEX

THIS IS PRINT SET

DRAWING DIRECTORY  
CIRCUIT SCHEMATIC  
40V REGULATOR  
CIRCUIT SCHEMATIC  
250V REGULATOR  
CIRCUIT SCHEMATIC

SEQUENCE T  
D-00-H743-0  
SHEET #1 ONLY  
D-CS-H743-0-1  
E-1A-5409503-0-0  
D-CS-5409503-0-1  
E-1A-5409484-0-0 SHEET #2 ONLY  
D-CS-5409484-0-1

SEQUENCE T

MFG PRINTS  
  
POWER SUPPLY  
POWER SUPPLY (PL)  
DRAWING DIRECTORY  
  
D-UA-H743-0-0  
A-PL-H743-0-0  
B-DD-H743-0

### UNIT VARIATIONS

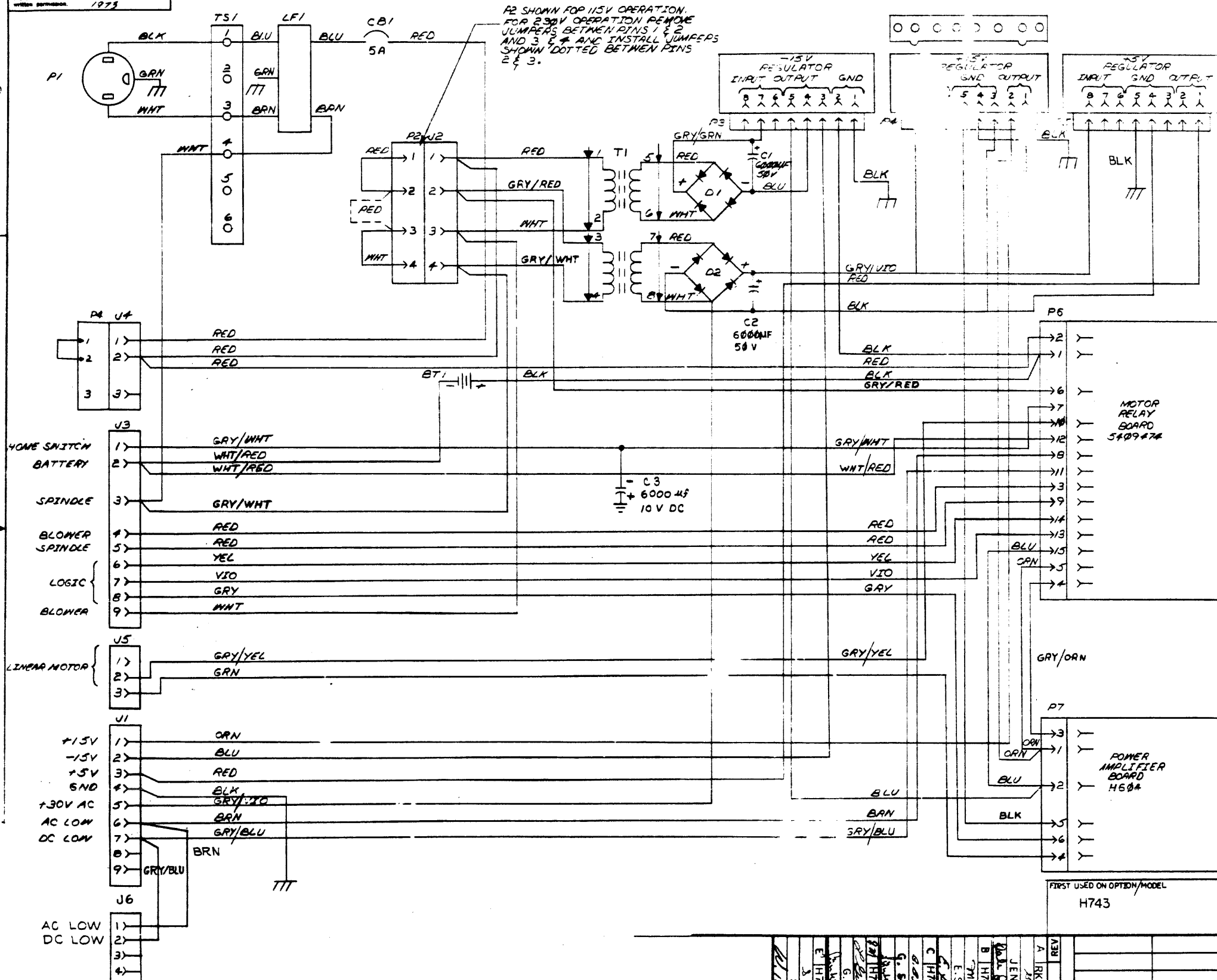
VARIATION	TITLE	PRINT SET TYPE					
H743-AA	POWER SUPPLY 115V		X				
H743-AB	POWER SUPPLY 250V		X				

REVISIONS

REV	DATE	ENG NO	BY
A			
B			
C			
D	8/72	H743-3	
E	9/72	H743-4	
F	10/72	H743-5	
H	2-74	H743-6	

USED ON OPTION/MODEL	DRN.	DATE	TITLE	SIZE	CODE	NUMBER	REV
RK05	FLEMING	12/67	POWER SUPPLY (H743)	B	DD	H743-0	H
	CHK'D	9-7-72					
	PROJ ENG.						
	PROD.						
	FIELD SERV.						
SHEET 1 OF 2			DIST 6				

The drawing and specifications, herein, are the property of Digital Equipment Corporation and shall not be reproduced or copied in whole or in part without the express written permission of Digital Equipment Corporation. 1973



P2 SHOWN FOR 115V OPERATION. FOR 230V OPERATION REMOVE JUMPERS BETWEEN PINS 1 & 2 AND 3 & 4 AND INSTALL JUMPERS SHOWN DOTTED BETWEEN PINS 2 & 3.

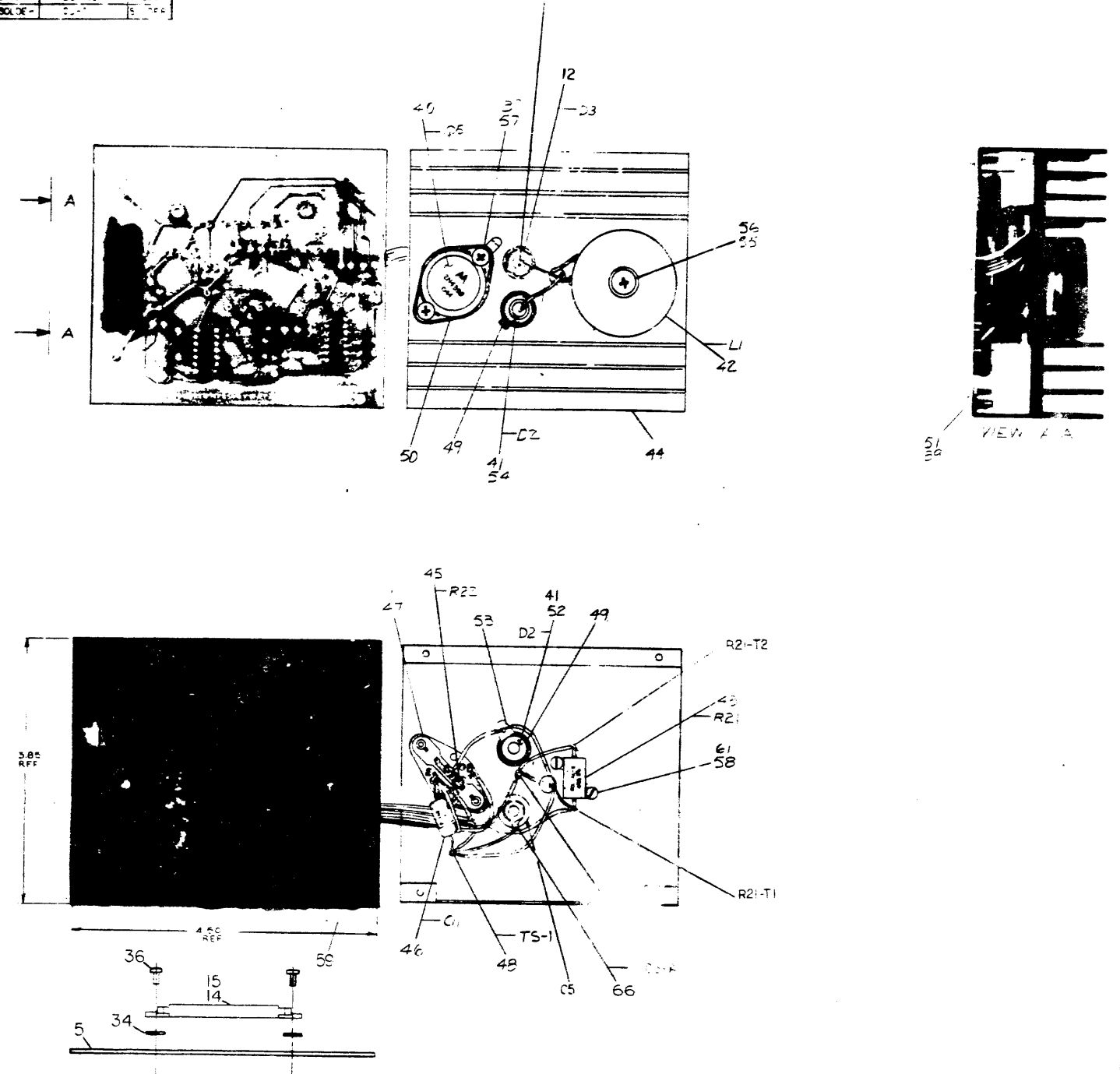
QTY	REF DESIGNATION	DESCRIPTION	PART NO.	ITEM NO.
1	PI	POWER CORD 230V	1700016-09	22
1	C3	CAP 6000µF 10VDC	1010704	21
1	P4	JUMPER AC 41	B-1A-7008729-30	20
1	P2	JUMPER 230V	B-1A-7008729-20	19
1	P2	JUMPER 115V	B-1A-7008729-10	18
3	P3, P4, P5	CONN, MATE-N-LOCK, 8PIN	120934C-C1	17
1	TS1	TERMINAL STRIP (6POS)	9006906	16
1	T1	TRANSFORMER	1610511	5
1	BT1	BATTERY	1210641	9
1	P7	CONN, MATE-N-LOCK, 6 PIN	1209351-06	13
1	P6	CONN, MATE-N-LOCK, 15 PIN	1209351-15	12
1		+5V REGULATOR	E-1A-5409503-00	11
2		±15V REGULATOR	E-1A-5409484-00	10
1	BT1	BATTERY	1210641	9
1	PI	POWER CORD 115V	1700006-09	8
2	J4, J5	CONN, MATE-N-LOCK, 3 PIN	1209350-03	7
2	J2, J6	CONN, MATE-N-LOCK, 4PIN	1209350-04	6
2	J1, J3	CONN, MATE-N-LOCK, 9PIN	1209350-09	5
1	LF1	LINE FILTER	1010585	4
2	C1, C2	CAP 6000µF, 50V	1010510	3
2	D1, D2	RECTIFIER (MDA990-3)	1110051	2
1	CBI	CIRCUIT BREAKER 5A	1205293	1

PARTS LIST																									
QTY	REF DESIGNATION	DESCRIPTION	PART NO.	ITEM NO.																					
ETCH BOARD REV																									
FIRST USED ON OPTION/MODEL H743																									
<table border="1"> <tr> <th>DRN</th> <th>DATE</th> <th>TITLE</th> </tr> <tr> <td>M. B.</td> <td>11-27-71</td> <td>CIRCUIT SCHEMATIC H743</td> </tr> <tr> <td>CHK'D</td> <td>DATE</td> <td></td> </tr> <tr> <td>ENG</td> <td>DATE</td> <td></td> </tr> <tr> <td>PROG</td> <td>DATE</td> <td></td> </tr> <tr> <td>NEXT HIGHER ASSY</td> <td>DATE</td> <td></td> </tr> <tr> <td>B-DD-H743-0</td> <td></td> <td></td> </tr> </table>					DRN	DATE	TITLE	M. B.	11-27-71	CIRCUIT SCHEMATIC H743	CHK'D	DATE		ENG	DATE		PROG	DATE		NEXT HIGHER ASSY	DATE		B-DD-H743-0		
DRN	DATE	TITLE																							
M. B.	11-27-71	CIRCUIT SCHEMATIC H743																							
CHK'D	DATE																								
ENG	DATE																								
PROG	DATE																								
NEXT HIGHER ASSY	DATE																								
B-DD-H743-0																									
DEC NO.	EIA NO.	DEC NO.	EIA NO.																						
SEMICONDUCTOR CONVERSION CHART																									

REV	CHANGE NO.	CHK	DATE
1			
2			
3			
4			
5			
6			
7			
8			
9			

WIRE TABLE					EXTERNAL COMPONENTS			
ITEM NO.	DESCRIPTION	FROM	TO	TERMINATION	ITEM NO.	DESCRIPTION	VALUE	TOLERANCE
57	WHT	SPLIT LUG #2	OS-E	SOLDER	15	RES 100K	100K	±5%
58	GRN	TS-1	OS-B	SOLDER	16	RES 100K	100K	±5%
59	BLU	TS-2	OS-C	SOLDER	17	RES 100K	100K	±5%
60	YEL	SPLIT LUG #2	TS-1	SOLDER	18	RES 100K	100K	±5%
61	BLK	TS-2	OS-D	SOLDER	19	RES 100K	100K	±5%
62	RED	TS-2	OS-E	SOLDER	20	RES 100K	100K	±5%
63	WHT	TS-1	OS-F	SOLDER	21	RES 100K	100K	±5%
64	BLK	L1	OS-G	SOLDER	22	RES 100K	100K	±5%
65	BLK	L1	OS-H	SOLDER	23	RES 100K	100K	±5%
66	GRN	TS-1	OS-I	SOLDER	24	RES 100K	100K	±5%
67	YEL	R2-1	OS-J	SOLDER	25	RES 100K	100K	±5%

THIS IS USED FOR OUTPUT VOLTAGE ADJUSTMENT.  
 THIS IS USED FOR OUTPUT CURRENT ADJUSTMENT.  
 \*INDICATES JUMPERS TO BE INSTALLED.



ITEM NO.	DESCRIPTION	QTY	UNIT	PRICE																																																																																																																																																																																																																																																									
1	SOLDER LUG	100	EA	0.01																																																																																																																																																																																																																																																									
2	1/4 FLAT WASHER	100	EA	0.01																																																																																																																																																																																																																																																									
3	CAP 220UF 10V	1	EA	0.10																																																																																																																																																																																																																																																									
4	WIRE 22 AWG TRACER WHT/GRN	10	FT	0.05																																																																																																																																																																																																																																																									
5	BUSHING INT. TIGHT LOCK #2	10	EA	0.01																																																																																																																																																																																																																																																									
6	RES 100K 1/4W	100	EA	0.01																																																																																																																																																																																																																																																									
7	20 CONNECTOR CABLE	1	EA	0.50																																																																																																																																																																																																																																																									
8	SCR BIPOLAR NO 2-5032 10 SST	1	EA	0.50																																																																																																																																																																																																																																																									
9	SCR PHIL PAM NO 8-3221 2 SST	1	EA	0.50																																																																																																																																																																																																																																																									
10	SCR PHIL TRIGG NO 10-3221 2 SST	1	EA	0.50																																																																																																																																																																																																																																																									
11	BUSHING INT. TIGHT LOCK #10	10	EA	0.01																																																																																																																																																																																																																																																									
12	BUSHING	10	EA	0.01																																																																																																																																																																																																																																																									
13	SOLDER LUG	100	EA	0.01																																																																																																																																																																																																																																																									
14	WHT. HEX #10-32	100	EA	0.01																																																																																																																																																																																																																																																									
15	SCR PHIL PAM NO 8-3221 2 SST	1	EA	0.50																																																																																																																																																																																																																																																									
16	THERMAL INSULATOR	10	EA	0.01																																																																																																																																																																																																																																																									
17	THERMAL INSULATOR	10	EA </tr <tr> <td>18</td> <td>INSULATED TERM. STANDOFF</td> <td>10</td> <td>EA</td> <td>0.01</td> </tr> <tr> <td>19</td> <td>TRANSISTOR BUZZER</td> <td>1</td> <td>EA</td> <td>0.10</td> </tr> <tr> <td>20</td> <td>CAP 100UF 10V</td> <td>1</td> <td>EA</td> <td>0.10</td> </tr> <tr> <td>21</td> <td>RES 100K 1/4W</td> <td>100</td> <td>EA</td> <td>0.01</td> </tr> <tr> <td>22</td> <td>HEAT SINK</td> <td>1</td> <td>EA</td> <td>0.50</td> </tr> <tr> <td>23</td> <td>RES 0.01 1/4W</td> <td>100</td> <td>EA</td> <td>0.01</td> </tr> <tr> <td>24</td> <td>120 OHM CHROME</td> <td>100</td> <td>EA</td> <td>0.01</td> </tr> <tr> <td>25</td> <td>IN 3000 DIODE</td> <td>10</td> <td>EA</td> <td>0.01</td> </tr> <tr> <td>26</td> <td>SCR 3000 TRANSISTOR</td> <td>1</td> <td>EA</td> <td>0.50</td> </tr> <tr> <td>27</td> <td>BUSHING INT. TIGHT LOCK #10</td> <td>10</td> <td>EA</td> <td>0.01</td> </tr> <tr> <td>28</td> <td>RES 27K 1/4W</td> <td>10</td> <td>EA</td> <td>0.01</td> </tr> <tr> <td>29</td> <td>RES 1.5K 1/4W</td> <td>10</td> <td>EA</td> <td>0.01</td> </tr> <tr> <td>30</td> <td>EYELETS #4 1753 STIMPSON</td> <td>10</td> <td>EA</td> <td>0.01</td> </tr> <tr> <td>31</td> <td>SPLIT LINES</td> <td>10</td> <td>EA</td> <td>0.01</td> </tr> <tr> <td>32</td> <td>BUSHING, NYLON</td> <td>10</td> <td>EA</td> <td>0.01</td> </tr> <tr> <td>33</td> <td>IC 723C D.P. REGULATOR</td> <td>1</td> <td>EA</td> <td>0.50</td> </tr> <tr> <td>34</td> <td>TRANSISTOR BUZZER</td> <td>1</td> <td>EA</td> <td>0.10</td> </tr> <tr> <td>35</td> <td>TRANSISTOR NEC 65340</td> <td>1</td> <td>EA</td> <td>0.50</td> </tr> <tr> <td>36</td> <td>RES 2.7K 1/4W</td> <td>10</td> <td>EA</td> <td>0.01</td> </tr> <tr> <td>37</td> <td>RES 3.9K 1/4W</td> <td>10</td> <td>EA</td> <td>0.01</td> </tr> <tr> <td>38</td> <td>RES 1K 1/4W</td> <td>10</td> <td>EA</td> <td>0.01</td> </tr> <tr> <td>39</td> <td>RES 14.7K 1/4W</td> <td>10</td> <td>EA</td> <td>0.01</td> </tr> <tr> <td>40</td> <td>RES 2.7K 1/4W</td> <td>10</td> <td>EA</td> <td>0.01</td> </tr> <tr> <td>41</td> <td>RES 2.7K 1/4W</td> <td>10</td> <td>EA</td> <td>0.01</td> </tr> <tr> <td>42</td> <td>RES 1K 1/4W</td> <td>10</td> <td>EA</td> <td>0.01</td> </tr> <tr> <td>43</td> <td>RES 1K 1/4W</td> <td>10</td> <td>EA</td> <td>0.01</td> </tr> <tr> <td>44</td> <td>RES 50K 1/4W</td> <td>10</td> <td>EA</td> <td>0.01</td> </tr> <tr> <td>45</td> <td>RES 4.7K 1/4W</td> <td>10</td> <td>EA</td> <td>0.01</td> </tr> <tr> <td>46</td> <td>RES 27K 1/4W</td> <td>10</td> <td>EA</td> <td>0.01</td> </tr> <tr> <td>47</td> <td>RES 4.7K 1/4W</td> <td>10</td> <td>EA</td> <td>0.01</td> </tr> <tr> <td>48</td> <td>RES 1K 1/4W</td> <td>10</td> <td>EA</td> <td>0.01</td> </tr> <tr> <td>49</td> <td>RES 1K 1/4W</td> <td>10</td> <td>EA</td> <td>0.01</td> </tr> <tr> <td>50</td> <td>RES 330K 1/4W</td> <td>10</td> <td>EA</td> <td>0.01</td> </tr> <tr> <td>51</td> <td>RES 1.5K 1/4W</td> <td>10</td> <td>EA</td> <td>0.01</td> </tr> <tr> <td>52</td> <td>CONNECTOR PIN</td> <td>10</td> <td>EA</td> <td>0.01</td> </tr> <tr> <td>53</td> <td>CONN. PIN W/IMP</td> <td>10</td> <td>EA</td> <td>0.01</td> </tr> <tr> <td>54</td> <td>RES 5.6K</td> <td>10</td> <td>EA</td> <td>0.01</td> </tr> <tr> <td>55</td> <td>DIODE 1N4001 5.6V</td> <td>10</td> <td>EA</td> <td>0.01</td> </tr> <tr> <td>56</td> <td>CAP 0.01UF 100V 4-70V DISC</td> <td>10</td> <td>EA</td> <td>0.01</td> </tr> <tr> <td>57</td> <td>CAP 500UF 35V 10-75V ELEC</td> <td>1</td> <td>EA</td> <td>0.50</td> </tr> <tr> <td>58</td> <td>CAP 0.1UF 100V 20V DISC</td> <td>10</td> <td>EA</td> <td>0.01</td> </tr> <tr> <td>59</td> <td>CAP 100UF 10V 50 MICA</td> <td>10</td> <td>EA</td> <td>0.01</td> </tr> <tr> <td>60</td> <td>CAP 100UF 10V 50 MICA</td> <td>10</td> <td>EA</td> <td>0.01</td> </tr> <tr> <td>61</td> <td>CAP 50UF 10V 50 MICA</td> <td>10</td> <td>EA</td> <td>0.01</td> </tr> <tr> <td>62</td> <td>CAP 50UF 10V 50 MICA</td> <td>10</td> <td>EA</td> <td>0.01</td> </tr> <tr> <td>63</td> <td>ETCH CIRCUIT BOARD</td> <td>1</td> <td>EA</td> <td>0.50</td> </tr> <tr> <td>64</td> <td>MODULE ETCH HARDWARE</td> <td>1</td> <td>EA</td> <td>0.50</td> </tr> <tr> <td>65</td> <td>ASST. DRILLING HOLE LAYOUT</td> <td>1</td> <td>EA</td> <td>0.50</td> </tr> <tr> <td>66</td> <td>1/4" CONDUIT HOLE LOCATION</td> <td>1</td> <td>EA</td> <td>0.50</td> </tr> <tr> <td>67</td> <td>CIRCUIT SCHEMATIC</td> <td>1</td> <td>EA</td> <td>0.50</td> </tr>	18	INSULATED TERM. STANDOFF	10	EA	0.01	19	TRANSISTOR BUZZER	1	EA	0.10	20	CAP 100UF 10V	1	EA	0.10	21	RES 100K 1/4W	100	EA	0.01	22	HEAT SINK	1	EA	0.50	23	RES 0.01 1/4W	100	EA	0.01	24	120 OHM CHROME	100	EA	0.01	25	IN 3000 DIODE	10	EA	0.01	26	SCR 3000 TRANSISTOR	1	EA	0.50	27	BUSHING INT. TIGHT LOCK #10	10	EA	0.01	28	RES 27K 1/4W	10	EA	0.01	29	RES 1.5K 1/4W	10	EA	0.01	30	EYELETS #4 1753 STIMPSON	10	EA	0.01	31	SPLIT LINES	10	EA	0.01	32	BUSHING, NYLON	10	EA	0.01	33	IC 723C D.P. REGULATOR	1	EA	0.50	34	TRANSISTOR BUZZER	1	EA	0.10	35	TRANSISTOR NEC 65340	1	EA	0.50	36	RES 2.7K 1/4W	10	EA	0.01	37	RES 3.9K 1/4W	10	EA	0.01	38	RES 1K 1/4W	10	EA	0.01	39	RES 14.7K 1/4W	10	EA	0.01	40	RES 2.7K 1/4W	10	EA	0.01	41	RES 2.7K 1/4W	10	EA	0.01	42	RES 1K 1/4W	10	EA	0.01	43	RES 1K 1/4W	10	EA	0.01	44	RES 50K 1/4W	10	EA	0.01	45	RES 4.7K 1/4W	10	EA	0.01	46	RES 27K 1/4W	10	EA	0.01	47	RES 4.7K 1/4W	10	EA	0.01	48	RES 1K 1/4W	10	EA	0.01	49	RES 1K 1/4W	10	EA	0.01	50	RES 330K 1/4W	10	EA	0.01	51	RES 1.5K 1/4W	10	EA	0.01	52	CONNECTOR PIN	10	EA	0.01	53	CONN. PIN W/IMP	10	EA	0.01	54	RES 5.6K	10	EA	0.01	55	DIODE 1N4001 5.6V	10	EA	0.01	56	CAP 0.01UF 100V 4-70V DISC	10	EA	0.01	57	CAP 500UF 35V 10-75V ELEC	1	EA	0.50	58	CAP 0.1UF 100V 20V DISC	10	EA	0.01	59	CAP 100UF 10V 50 MICA	10	EA	0.01	60	CAP 100UF 10V 50 MICA	10	EA	0.01	61	CAP 50UF 10V 50 MICA	10	EA	0.01	62	CAP 50UF 10V 50 MICA	10	EA	0.01	63	ETCH CIRCUIT BOARD	1	EA	0.50	64	MODULE ETCH HARDWARE	1	EA	0.50	65	ASST. DRILLING HOLE LAYOUT	1	EA	0.50	66	1/4" CONDUIT HOLE LOCATION	1	EA	0.50	67	CIRCUIT SCHEMATIC	1	EA	0.50
18	INSULATED TERM. STANDOFF	10	EA	0.01																																																																																																																																																																																																																																																									
19	TRANSISTOR BUZZER	1	EA	0.10																																																																																																																																																																																																																																																									
20	CAP 100UF 10V	1	EA	0.10																																																																																																																																																																																																																																																									
21	RES 100K 1/4W	100	EA	0.01																																																																																																																																																																																																																																																									
22	HEAT SINK	1	EA	0.50																																																																																																																																																																																																																																																									
23	RES 0.01 1/4W	100	EA	0.01																																																																																																																																																																																																																																																									
24	120 OHM CHROME	100	EA	0.01																																																																																																																																																																																																																																																									
25	IN 3000 DIODE	10	EA	0.01																																																																																																																																																																																																																																																									
26	SCR 3000 TRANSISTOR	1	EA	0.50																																																																																																																																																																																																																																																									
27	BUSHING INT. TIGHT LOCK #10	10	EA	0.01																																																																																																																																																																																																																																																									
28	RES 27K 1/4W	10	EA	0.01																																																																																																																																																																																																																																																									
29	RES 1.5K 1/4W	10	EA	0.01																																																																																																																																																																																																																																																									
30	EYELETS #4 1753 STIMPSON	10	EA	0.01																																																																																																																																																																																																																																																									
31	SPLIT LINES	10	EA	0.01																																																																																																																																																																																																																																																									
32	BUSHING, NYLON	10	EA	0.01																																																																																																																																																																																																																																																									
33	IC 723C D.P. REGULATOR	1	EA	0.50																																																																																																																																																																																																																																																									
34	TRANSISTOR BUZZER	1	EA	0.10																																																																																																																																																																																																																																																									
35	TRANSISTOR NEC 65340	1	EA	0.50																																																																																																																																																																																																																																																									
36	RES 2.7K 1/4W	10	EA	0.01																																																																																																																																																																																																																																																									
37	RES 3.9K 1/4W	10	EA	0.01																																																																																																																																																																																																																																																									
38	RES 1K 1/4W	10	EA	0.01																																																																																																																																																																																																																																																									
39	RES 14.7K 1/4W	10	EA	0.01																																																																																																																																																																																																																																																									
40	RES 2.7K 1/4W	10	EA	0.01																																																																																																																																																																																																																																																									
41	RES 2.7K 1/4W	10	EA	0.01																																																																																																																																																																																																																																																									
42	RES 1K 1/4W	10	EA	0.01																																																																																																																																																																																																																																																									
43	RES 1K 1/4W	10	EA	0.01																																																																																																																																																																																																																																																									
44	RES 50K 1/4W	10	EA	0.01																																																																																																																																																																																																																																																									
45	RES 4.7K 1/4W	10	EA	0.01																																																																																																																																																																																																																																																									
46	RES 27K 1/4W	10	EA	0.01																																																																																																																																																																																																																																																									
47	RES 4.7K 1/4W	10	EA	0.01																																																																																																																																																																																																																																																									
48	RES 1K 1/4W	10	EA	0.01																																																																																																																																																																																																																																																									
49	RES 1K 1/4W	10	EA	0.01																																																																																																																																																																																																																																																									
50	RES 330K 1/4W	10	EA	0.01																																																																																																																																																																																																																																																									
51	RES 1.5K 1/4W	10	EA	0.01																																																																																																																																																																																																																																																									
52	CONNECTOR PIN	10	EA	0.01																																																																																																																																																																																																																																																									
53	CONN. PIN W/IMP	10	EA	0.01																																																																																																																																																																																																																																																									
54	RES 5.6K	10	EA	0.01																																																																																																																																																																																																																																																									
55	DIODE 1N4001 5.6V	10	EA	0.01																																																																																																																																																																																																																																																									
56	CAP 0.01UF 100V 4-70V DISC	10	EA	0.01																																																																																																																																																																																																																																																									
57	CAP 500UF 35V 10-75V ELEC	1	EA	0.50																																																																																																																																																																																																																																																									
58	CAP 0.1UF 100V 20V DISC	10	EA	0.01																																																																																																																																																																																																																																																									
59	CAP 100UF 10V 50 MICA	10	EA	0.01																																																																																																																																																																																																																																																									
60	CAP 100UF 10V 50 MICA	10	EA	0.01																																																																																																																																																																																																																																																									
61	CAP 50UF 10V 50 MICA	10	EA	0.01																																																																																																																																																																																																																																																									
62	CAP 50UF 10V 50 MICA	10	EA	0.01																																																																																																																																																																																																																																																									
63	ETCH CIRCUIT BOARD	1	EA	0.50																																																																																																																																																																																																																																																									
64	MODULE ETCH HARDWARE	1	EA	0.50																																																																																																																																																																																																																																																									
65	ASST. DRILLING HOLE LAYOUT	1	EA	0.50																																																																																																																																																																																																																																																									
66	1/4" CONDUIT HOLE LOCATION	1	EA	0.50																																																																																																																																																																																																																																																									
67	CIRCUIT SCHEMATIC	1	EA	0.50																																																																																																																																																																																																																																																									

NAME	DATE	REVISION
W. J. SHERMAN	7/11/73	1
M. J. SHERMAN	7/11/73	2
D. W. SHERMAN	7/11/73	3
J. W. SHERMAN	7/11/73	4
R. W. SHERMAN	7/11/73	5
T. W. SHERMAN	7/11/73	6
L. W. SHERMAN	7/11/73	7
K. W. SHERMAN	7/11/73	8
H. W. SHERMAN	7/11/73	9
G. W. SHERMAN	7/11/73	10

REFUSED ON...

DATE: 7/11/73

TIME: 10:00 AM

BY: [Signature]

FOR: [Signature]

REVISION: 10

DESCRIPTION: -5 VOLT POWER REGULATOR

PROJECT: 5409-03-0-0

SCALE: 1:1

DRAWN BY: [Signature]

CHECKED BY: [Signature]

APPROVED BY: [Signature]

DATE: 7/11/73

TIME: 10:00 AM

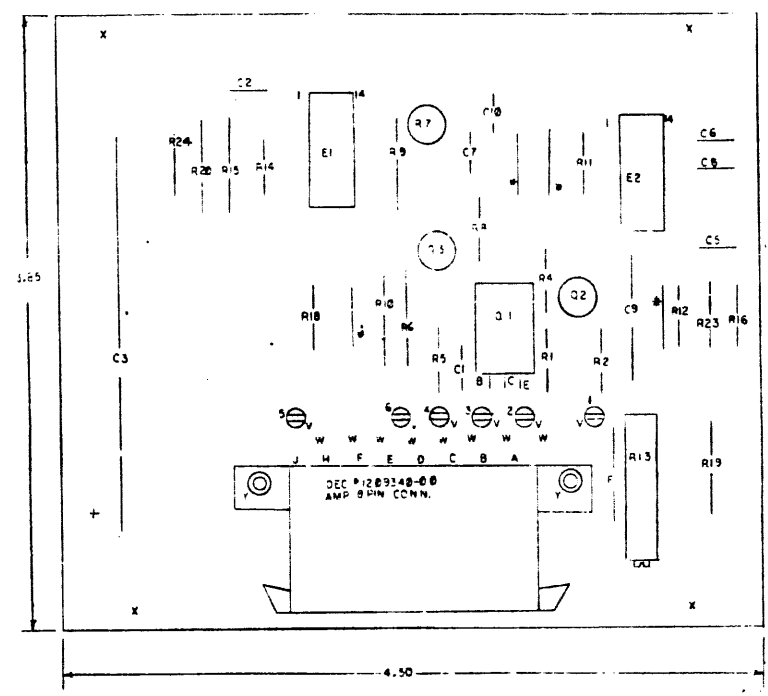
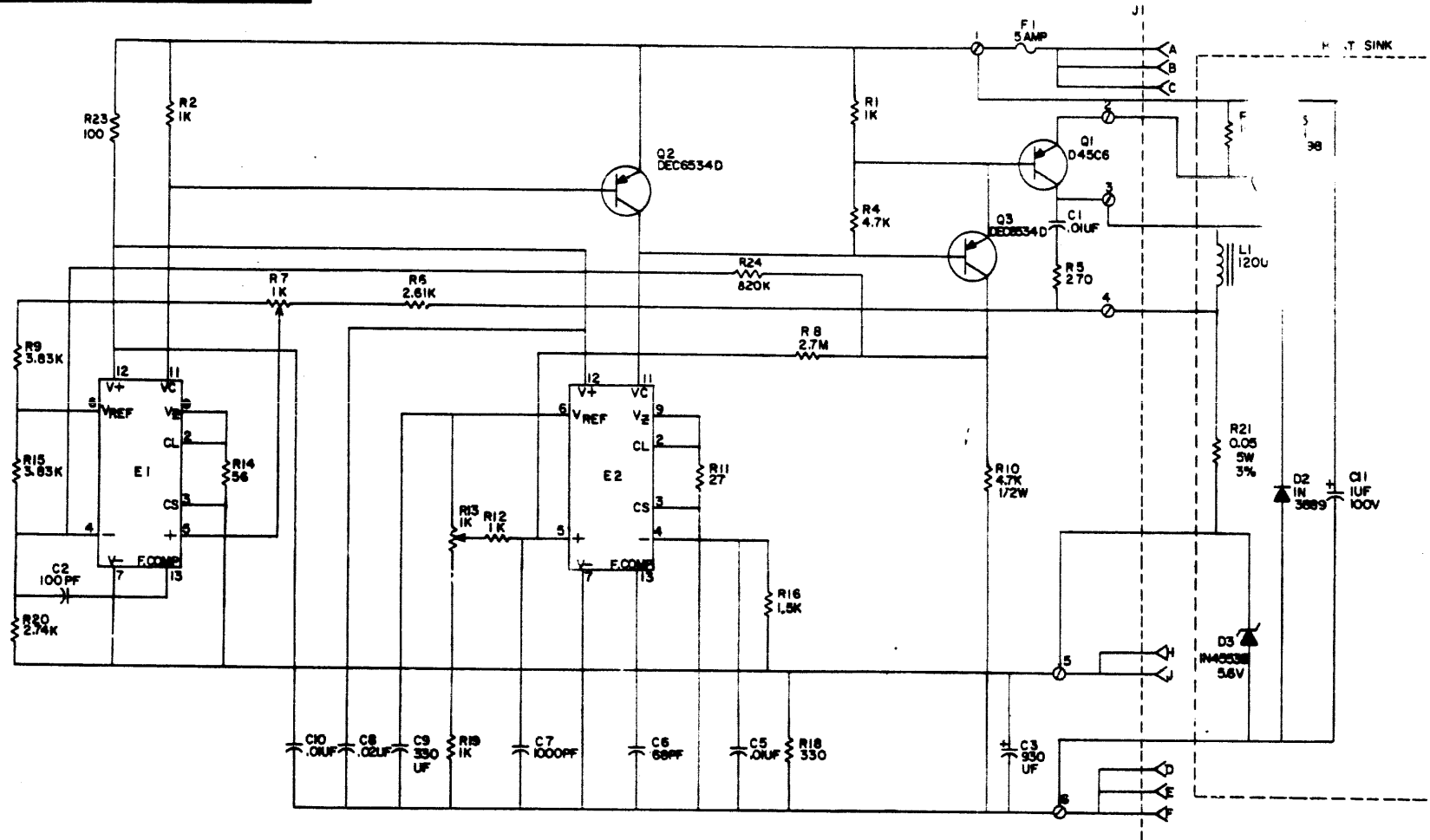
BY: [Signature]

FOR: [Signature]



THIS SCHEMATIC IS FURNISHED ONLY FOR TEST AND MAINTENANCE PURPOSES. THE CIRCUITS ARE PROPRIETARY IN NATURE AND SHOULD BE TREATED ACCORDINGLY. COPYRIGHT 1971 BY DIGITAL EQUIPMENT CORPORATION.

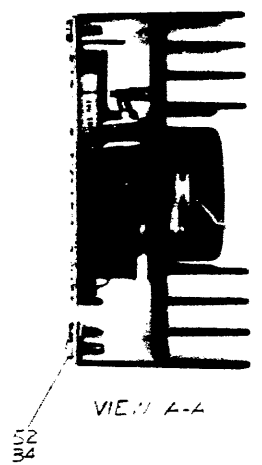
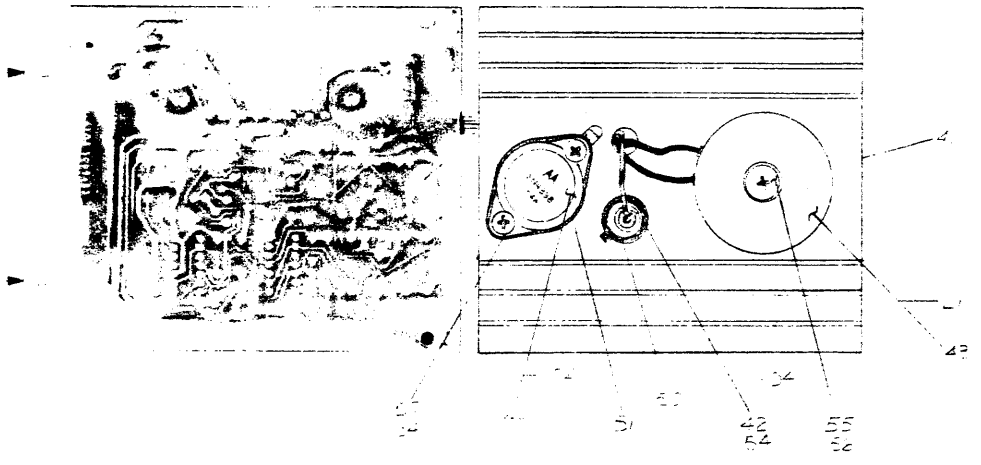
DIGITAL EQUIPMENT CORPORATION  
 5409503-0-1



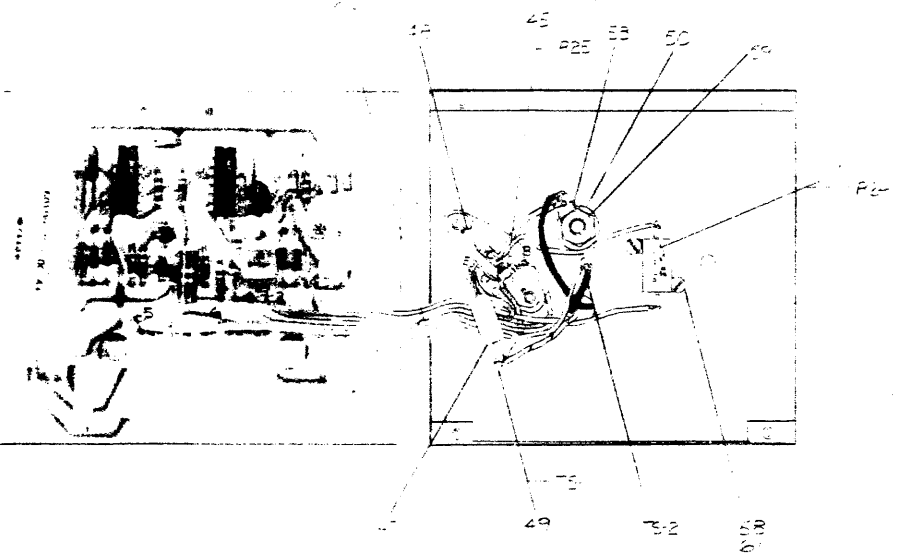
REV. NO. DATE BY 1 6-2-71 S. Curran 2 6-7-71 Valley Moore 3 12-17-71		TRANSISTOR & DIODE CONVERSION CHART DEC EIA DEC EIA 2N3334C MPM 1005 1N1722A SA1 2N2501 2N2501 1N4001 SA1 2N2501 2N2501				TITLE <b>+5 VOLT REGULATOR</b>	
EQUIPMENT CORPORATION BOSTON, MASSACHUSETTS		DATE CODE NUMBER D CS 5409503-0-1		PRINTED CIRCUIT REV F			

5409503-0-1  
 D | CS | 5409503-0-1

WIRE-BONDING TABLE			EXTERNAL COMPONENTS LIST					
WIRE-BONDING POINT	WIRE	TERMINAL	CONNECTION	TERMINAL	DESCRIPTION	FROM	TO	POL.
100	1	SP	SOLDER	P24	SOLDER	04-E	04-E	
101	1	SP	SOLDER	04-E	SOLDER	04-E	04-E	
102	1	SP	SOLDER	04-B	SOLDER	04-E	04-E	
103	1	SP	SOLDER	04-C	SOLDER	04-E	04-E	
104	1	SP	SOLDER	TS-1	SOLDER	04-E	04-E	
105	1	SP	SOLDER	TS-2	SOLDER	04-E	04-E	
106	1	SP	SOLDER	TS-3	SOLDER	04-E	04-E	
107	1	SP	SOLDER	P24	SOLDER	04-E	04-E	
108	1	SP	SOLDER	04-E	SOLDER	04-E	04-E	
109	1	SP	SOLDER	04-E	SOLDER	04-E	04-E	
110	1	SP	SOLDER	04-E	SOLDER	04-E	04-E	
111	1	SP	SOLDER	04-E	SOLDER	04-E	04-E	
112	1	SP	SOLDER	04-E	SOLDER	04-E	04-E	
113	1	SP	SOLDER	04-E	SOLDER	04-E	04-E	
114	1	SP	SOLDER	04-E	SOLDER	04-E	04-E	
115	1	SP	SOLDER	04-E	SOLDER	04-E	04-E	
116	1	SP	SOLDER	04-E	SOLDER	04-E	04-E	



VIEW A-A



PARTS LIST		QTY	DESCRIPTION	PART NO.	REF.
1	WIRE				
2	WIRE				
3	WIRE				
4	WIRE				
5	WIRE				
6	WIRE				
7	WIRE				
8	WIRE				
9	WIRE				
10	WIRE				
11	WIRE				
12	WIRE				
13	WIRE				
14	WIRE				
15	WIRE				
16	WIRE				
17	WIRE				
18	WIRE				
19	WIRE				
20	WIRE				
21	WIRE				
22	WIRE				
23	WIRE				
24	WIRE				
25	WIRE				
26	WIRE				
27	WIRE				
28	WIRE				
29	WIRE				
30	WIRE				
31	WIRE				
32	WIRE				
33	WIRE				
34	WIRE				
35	WIRE				
36	WIRE				
37	WIRE				
38	WIRE				
39	WIRE				
40	WIRE				
41	WIRE				
42	WIRE				
43	WIRE				
44	WIRE				
45	WIRE				
46	WIRE				
47	WIRE				
48	WIRE				
49	WIRE				
50	WIRE				
51	WIRE				
52	WIRE				
53	WIRE				
54	WIRE				
55	WIRE				
56	WIRE				
57	WIRE				
58	WIRE				
59	WIRE				
60	WIRE				
61	WIRE				
62	WIRE				
63	WIRE				
64	WIRE				
65	WIRE				
66	WIRE				
67	WIRE				
68	WIRE				
69	WIRE				
70	WIRE				
71	WIRE				
72	WIRE				
73	WIRE				
74	WIRE				
75	WIRE				
76	WIRE				
77	WIRE				
78	WIRE				
79	WIRE				
80	WIRE				

J  
H  
F  
E  
D  
C

