

Torin

Airflow Management

Direct Drive Blowers

Torin Industries Pty Ltd

1/14 Monterey Rd
Dandenong South VIC 3175
Australia

Telephone 61 3 8787 2100
Facsimile 61 3 8787 2173
Email sales@torin.com.au

Torin Industries (Malaysia) Sdn Bhd

6536A Jalan Bukit Kemuning
Batu 6, Seksyen 34, 40470
Shah Alam Selangor

Telephone 60 3 5124 6157
Facsimile 60 3 5121 1467
Email sales@torin.com.au

www.torin.com.au

Direct Drive Blowers



Description

This type of blower unit is direct drive with a forward curve wheel mounted directly to the motor shaft. Double inlet allows it to draw air in from both sides of the unit, cooling the motor in the process, the motor is mounted in the airflow on one side of the unit.

The direct drive blowers can have either a 'C' or 'G' type wheel depending on the size of the unit.

DDC product styles use the 'C' type wheels. They have individual blades that use a centre disc locking arrangement, for the 241 mm or 270 mm diameters.

DDG product styles use the 'G' type wheels. These are a plastic wheel, available in the 82 mm diameter or the larger 203 mm, 241 mm and 270 mm diameter.

A range of motors are available to cover airflows up to 1300 l/sec.

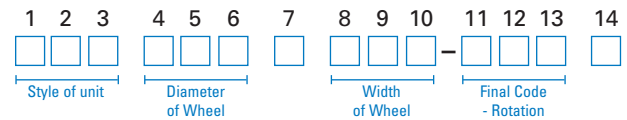
The larger direct drive blowers are equipped with either 4 or 6 pole, 3 speed motors. Where applicable an appropriate size capacitor is fitted to give the desired performance. All motors have thermal overload protection and insulation that conforms to class B requirements.

All performance testing of blower assemblies is carried out on an airflow test rig designed to BS848 specifications which detail performance testing using standardized airways.

Standard tests are carried out in a non-ducted discharge or Type 'A' installation.

Part Number Selection Chart

Basic Outline of Code



Details of Code

1	<input type="text"/>	Type of Drive	D = Direct				
2	<input type="text"/>	Configuration	D = Double inlet				
3	<input type="text"/>	Wheel Type	C - inserted blade G - plastic				
4	<input type="text"/>	5	<input type="text"/>	6	<input type="text"/>	Wheel Diameter	In millimeters
7	<input type="text"/>	Housing	Dash = Standard housing T = Tight housing				
8	<input type="text"/>	9	<input type="text"/>	10	<input type="text"/>	Wheel Width	In millimeters
11	<input type="text"/>	12	<input type="text"/>	13	<input type="text"/>	Final Code	Odd numbers = clockwise rotation Even numbers = anti-clockwise rotation (view rotation from drive side)
14	<input type="text"/>	Capacitor	Blank = fixed value capacitor supplied C = different value capacitors available request value of capacitor required				

**Example of Code: DDC241T181-200
DDG241-181-200**

Direct Drive Blowers

203mm Diameter - 203mm Width

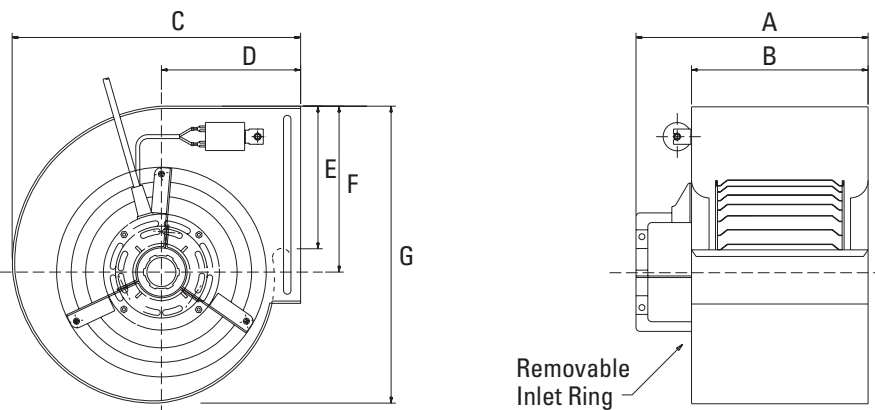


- Housing**
G2 Galvabond Steel Z275
- Wheel**
Polypropylene
- Motor**
See Table
- Accessories**
See Table



Dimensions

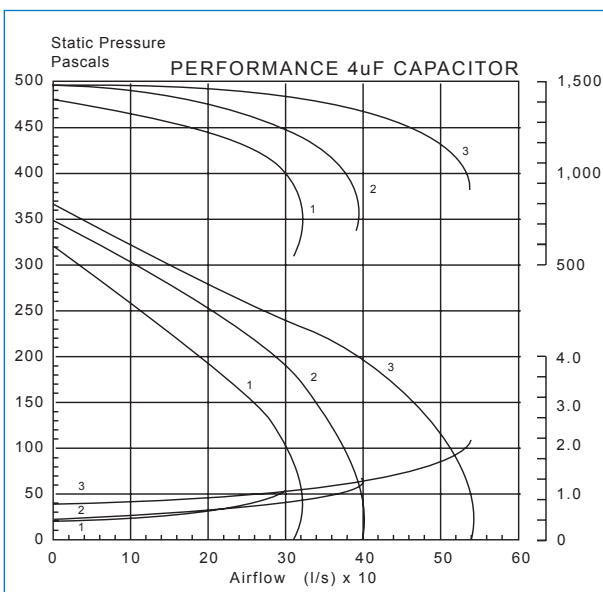
	A	B	C	D	E	F	G
DDG203-203-481	375	248	306	152	160	183	319



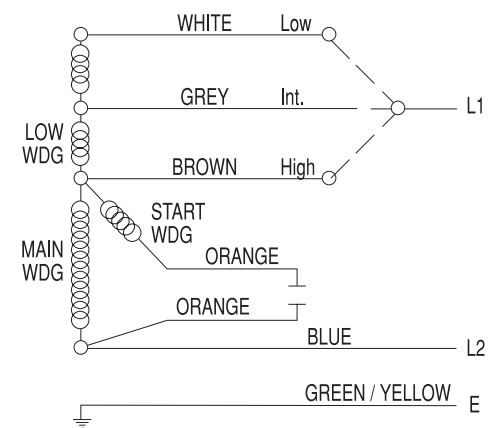
MOTOR	40P5134-180SC
POLES	4
SPEEDS	3
WATTS OUT	180
BEARINGS	BALL
VENTING	ENDSHIELDS
MAIN LEAD	1000
CONNECTORS	B and E on earth
CAPACITOR LEAD	Cap. Mounted on Motor
CONNECTORS	none
WEIGHT (KG)	8.0
HOUSING SUPPORT BRACKETS	none

B: Bootlace **E:** Eyelet **F:** Flag Terminals with Insulators

Performance Graph



Wiring Diagram



www.torin.com.au

Photos and drawings may not be a correct representation of all products. October 2004

Torin Industries Pty Ltd

1/14 Monterey Rd
Dandenong South VIC 3175
Australia

Telephone 61 3 8787 2100
Facsimile 61 3 8787 2173
Email sales@torin.com.au

Torin Industries (Malaysia) Sdn Bhd

6536A Jalan Bukit Kemuning
Batu 6, Seksyen 34, 40470
Shah Alam Selangor

Telephone 60 3 5124 6157
Facsimile 60 3 5121 1467
Email sales@torin.com.au

Direct Drive Blowers

203mm Diameter - 203mm Width

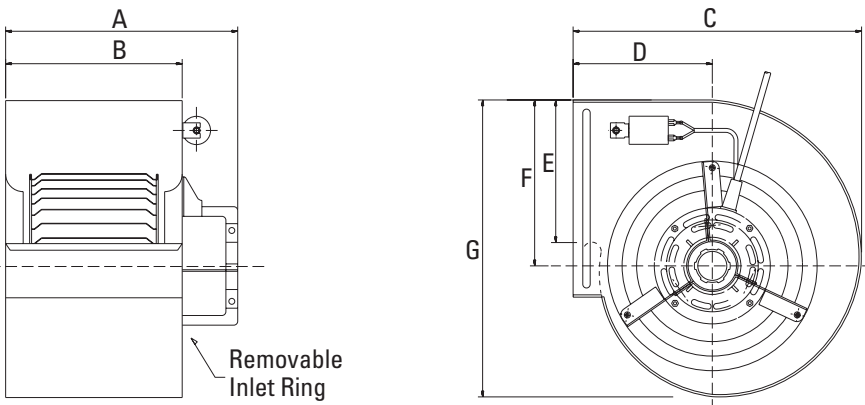


- Housing**
G2 Galvabond Steel Z275
- Wheel**
Polypropylene
- Motor**
See Table
- Accessories**
See Table



Dimensions

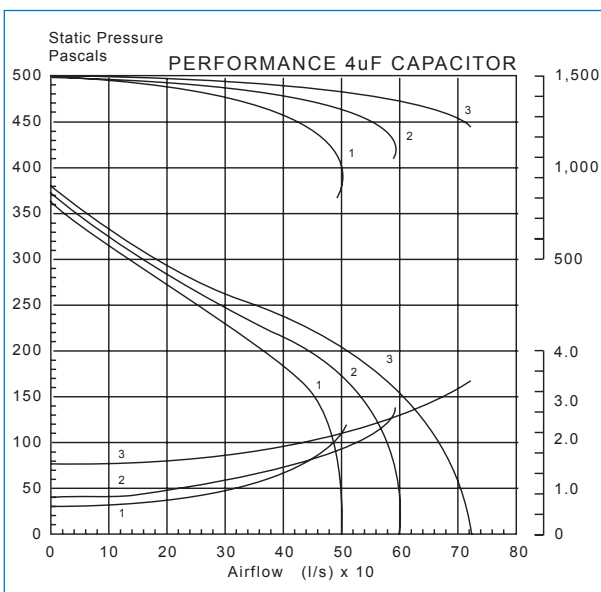
	A	B	C	D	E	F	G
DDG203-203-200	386	248	306	152	160	183	319



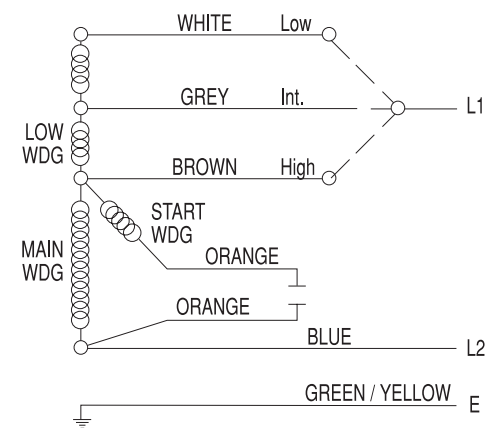
MOTOR	40P5134-315SA
POLES	4
SPEEDS	3
WATTS OUT	315
BEARINGS	BALL
VENTING	CASE & ENDS
MAIN LEAD	1300
CONNECTORS	B and E on earth
CAPACITOR LEAD	1300
CONNECTORS	F
WEIGHT (KG)	9.5
HOUSING SUPPORT BRACKETS	none

B: Bootlace **E:** Eyelet **F:** Flag Terminals with Insulators

Performance Graph



Wiring Diagram



www.torin.com.au

Photos and drawings may not be a correct representation of all products. October 2004

Torin Industries Pty Ltd

1/14 Monterey Rd
Dandenong South VIC 3175
Australia

Telephone 61 3 8787 2100
Facsimile 61 3 8787 2173
Email sales@torin.com.au

Torin Industries (Malaysia) Sdn Bhd

6536A Jalan Bukit Kemuning
Batu 6, Seksyen 34, 40470
Shah Alam Selangor

Telephone 60 3 5124 6157
Facsimile 60 3 5121 1467
Email sales@torin.com.au

Direct Drive Blowers

241mm Diameter - 181mm Width



Housing

G2 Galvabond Steel Z275

Wheel

Polypropylene

Motor

240 volts, 50Hz, 1ph C.S.R.

Class B Insulation

Automatic Thermal Overload Protection

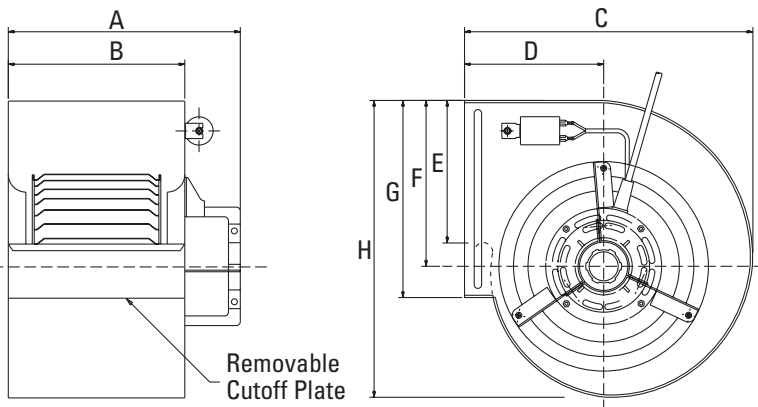
Accessories

See Table



Dimensions

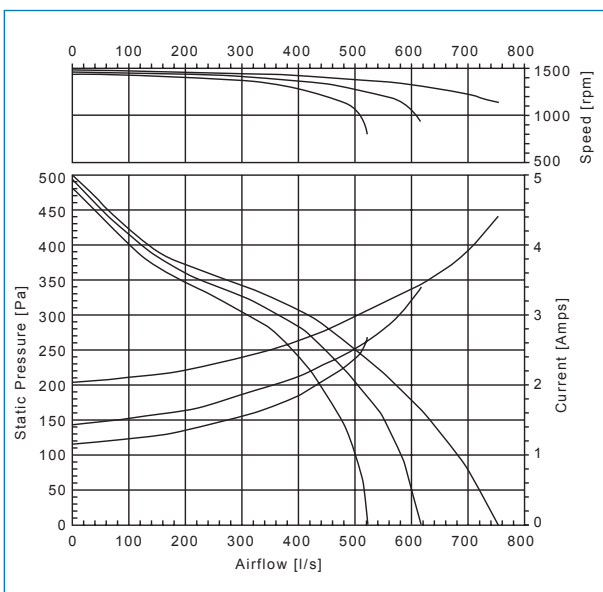
	A	B	C	D	E	F	G	H
DDG241T181-200	305	234	325	160	165	186	262	327



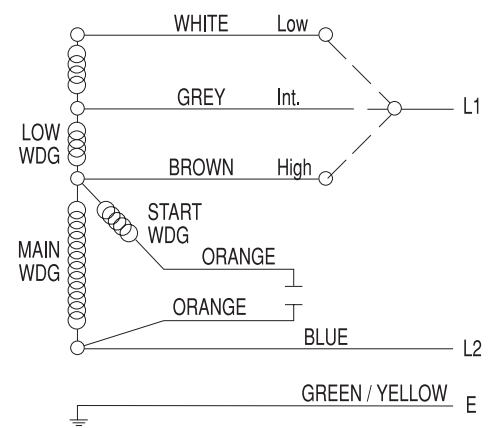
MOTOR	40P5134-315SA
POLES	4
SPEEDS	3
WATTS OUT	315
BEARINGS	BALL
VENTING	CASE & ENDS
MAIN LEAD	1300
CONNECTORS	B and E on earth
CAPACITOR LEAD	1300
CONNECTORS	F
WEIGHT (KG)	11.0
HOUSING SUPPORT BRACKETS	KH054-241

B: Bootlace E: Eyelet F: Flag Terminals with Insulators

Performance Graphs



Wiring Diagram



www.torin.com.au

Photos and drawings may not be a correct representation of all products. October 2004

Torin Industries Pty Ltd

1/14 Monterey Rd
Dandenong South VIC 3175
Australia

Telephone 61 3 8787 2100
Facsimile 61 3 8787 2173
Email sales@torin.com.au

Torin Industries (Malaysia) Sdn Bhd

6536A Jalan Bukit Kemuning
Batu 6, Seksyen 34, 40470
Shah Alam Selangor

Telephone 60 3 5124 6157
Facsimile 60 3 5121 1467
Email sales@torin.com.au

Direct Drive Blowers

241mm Diameter - 181mm Width



Housing

G2 Galvabond Steel Z275

Wheel

Polypropylene

Motor

240 volts, 50Hz, 1ph C.S.R.

Class B Insulation

Automatic Thermal Overload Protection

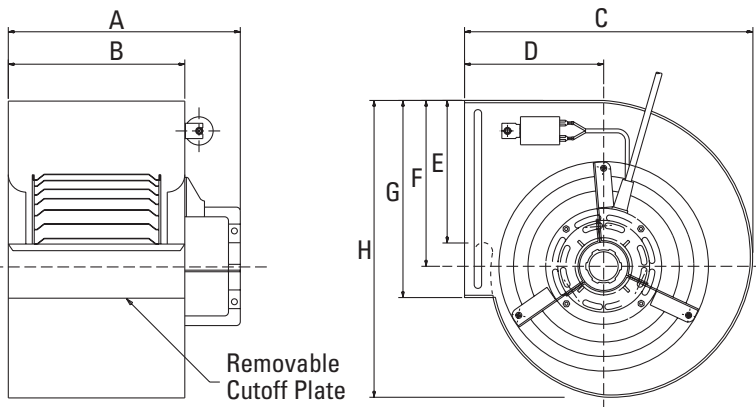
Accessories

See Table



Dimensions

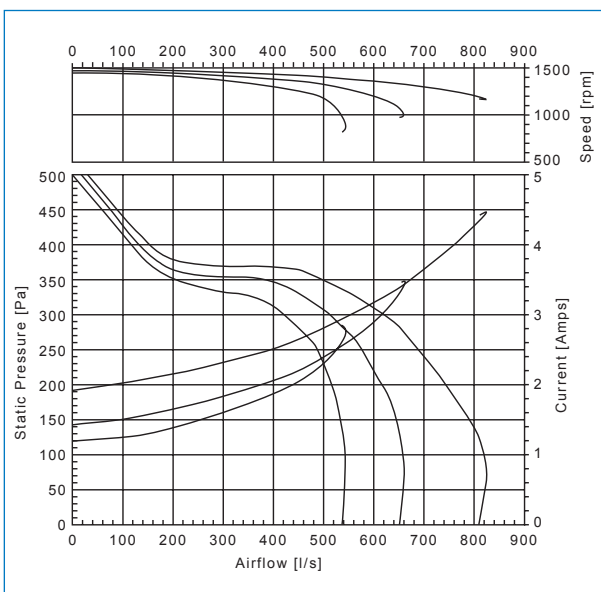
	A	B	C	D	E	F	G	H
DDG241-181-200	305	234	380	185	185	220	262	392



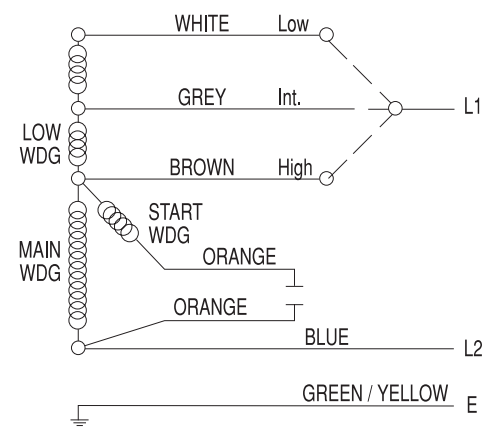
MOTOR	40P5134-315SA
POLES	4
SPEEDS	3
WATTS OUT	315
BEARINGS	BALL
VENTING	CASE & ENDS
MAIN LEAD	1300
CONNECTORS	B and E on earth
CAPACITOR LEAD	1300
CONNECTORS	F
WEIGHT (KG)	12.0
HOUSING SUPPORT BRACKETS	KH054-241

B: Bootlace E: Eyelet F: Flag Terminals with Insulators

Performance Graphs



Wiring Diagram



www.torin.com.au

Photos and drawings may not be a correct representation of all products. October 2004

Torin Industries Pty Ltd

1/14 Monterey Rd
Dandenong South VIC 3175
Australia

Telephone 61 3 8787 2100
Facsimile 61 3 8787 2173
Email sales@torin.com.au

Torin Industries (Malaysia) Sdn Bhd

6536A Jalan Bukit Kemuning
Batu 6, Seksyen 34, 40470
Shah Alam Selangor

Telephone 60 3 5124 6157
Facsimile 60 3 5121 1467
Email sales@torin.com.au

Direct Drive Blowers

241mm Diameter - 241mm Width



Housing

G2 Galvabond Steel Z275

Wheel

Polypropylene

Motor

240 volts, 50Hz, 1ph C.S.R.

Class B Insulation

Automatic Thermal Overload Protection

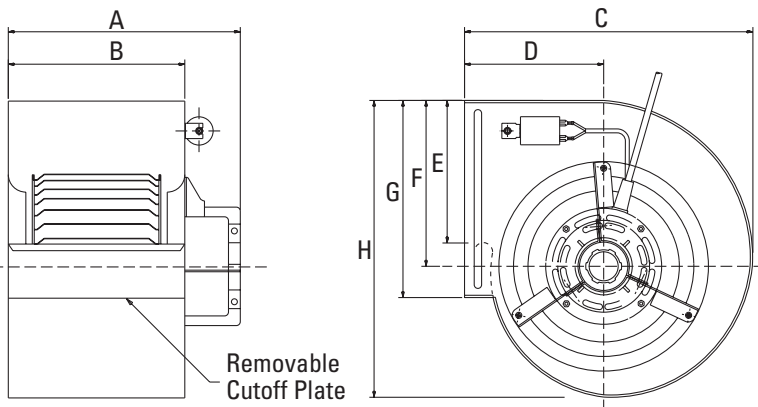
Accessories

See Table



Dimensions

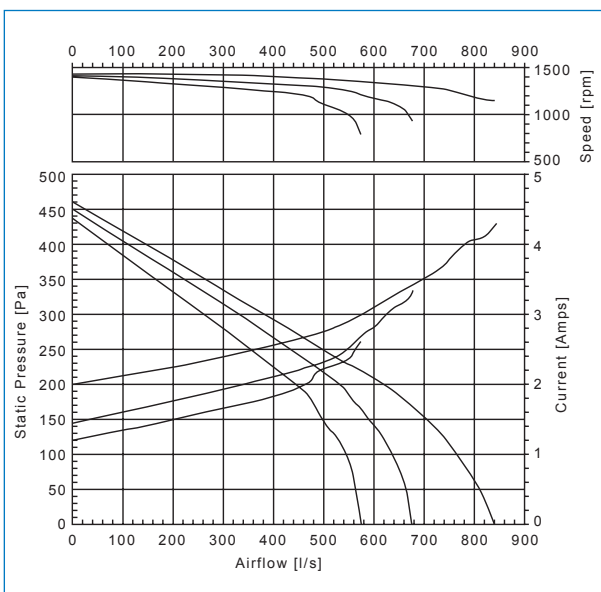
	A	B	C	D	E	F	G	H
DDG241T241-200	342	300	324	160	165	186	262	327



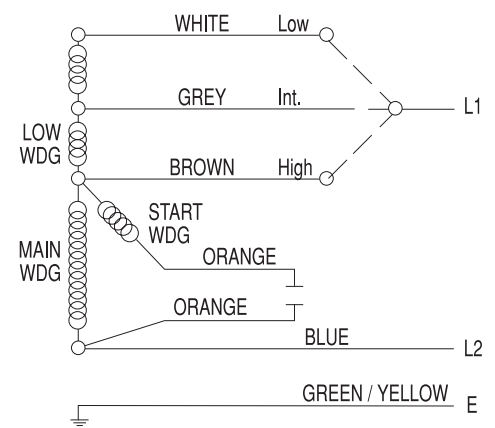
MOTOR	40P5134-315SA
POLES	4
SPEEDS	3
WATTS OUT	315
BEARINGS	BALL
VENTING	CASE & ENDS
MAIN LEAD	1300
CONNECTORS	B and E on earth
CAPACITOR LEAD	1300
CONNECTORS	F
WEIGHT (KG)	12.5
HOUSING SUPPORT BRACKETS	KH054-241

B: Bootlace E: Eyelet F: Flag Terminals with Insulators

Performance Graphs



Wiring Diagram



www.torin.com.au

Photos and drawings may not be a correct representation of all products. October 2004

Torin Industries Pty Ltd

1/14 Monterey Rd
Dandenong South VIC 3175
Australia

Telephone 61 3 8787 2100
Facsimile 61 3 8787 2173
Email sales@torin.com.au

Torin Industries (Malaysia) Sdn Bhd

6536A Jalan Bukit Kemuning
Batu 6, Seksyen 34, 40470
Shah Alam Selangor

Telephone 60 3 5124 6157
Facsimile 60 3 5121 1467
Email sales@torin.com.au

Direct Drive Blowers

241mm Diameter - 241mm Width



Housing

G2 Galvabond Steel Z275

Wheel

Polypropylene

Motor

240 volts, 50Hz, 1ph C.S.R.

Class B Insulation

Automatic Thermal Overload Protection

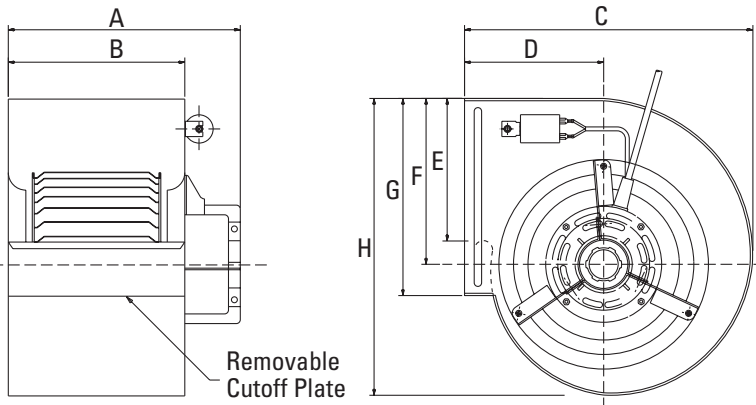
Accessories

See Table



Dimensions

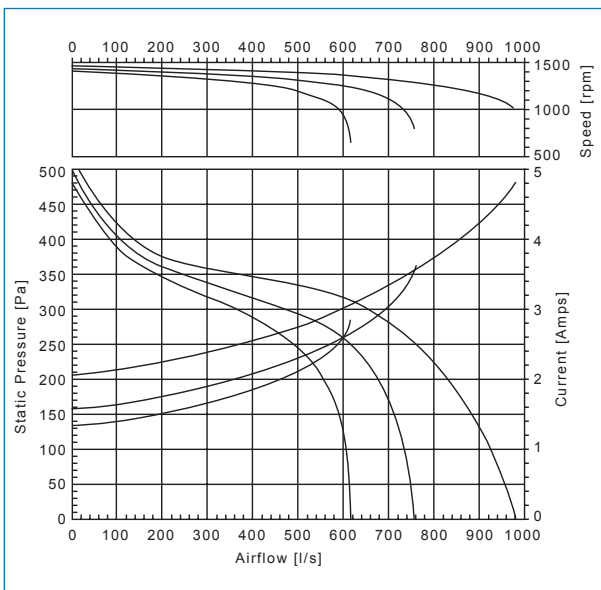
	A	B	C	D	E	F	G	H
DDG241-241-200	345	300	380	185	185	220	262	392



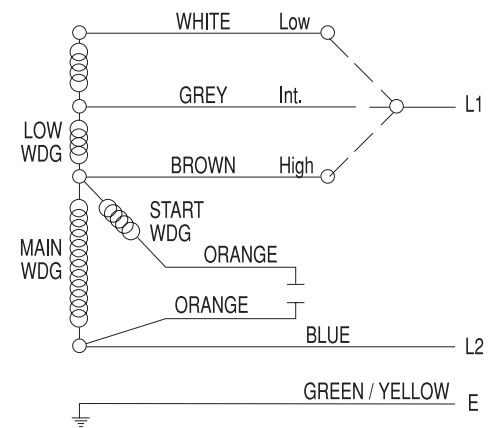
MOTOR	40P5134-315SA
POLES	4
SPEEDS	3
WATTS OUT	315
BEARINGS	BALL
VENTING	CASE & ENDS
MAIN LEAD	1300
CONNECTORS	B and E on earth
CAPACITOR LEAD	1300
CONNECTORS	F
WEIGHT (KG)	12.5
HOUSING SUPPORT BRACKETS	KH054-241

B: Bootlace E: Eyelet F: Flag Terminals with Insulators

Performance Graphs



Wiring Diagram



www.torin.com.au

Photos and drawings may not be a correct representation of all products. October 2004

Torin Industries Pty Ltd

1/14 Monterey Rd
Dandenong South VIC 3175
Australia

Telephone 61 3 8787 2100
Facsimile 61 3 8787 2173
Email sales@torin.com.au

Torin Industries (Malaysia) Sdn Bhd

6536A Jalan Bukit Kemuning
Batu 6, Seksyen 34, 40470
Shah Alam Selangor

Telephone 60 3 5124 6157
Facsimile 60 3 5121 1467
Email sales@torin.com.au

Direct Drive Blowers

241mm Diameter - 241mm Width



Housing

G2 Galvabond Steel Z275

Wheel

Polypropylene

Motor

240 volts, 50Hz, 1ph C.S.R.

Class B Insulation

Automatic Thermal Overload Protection

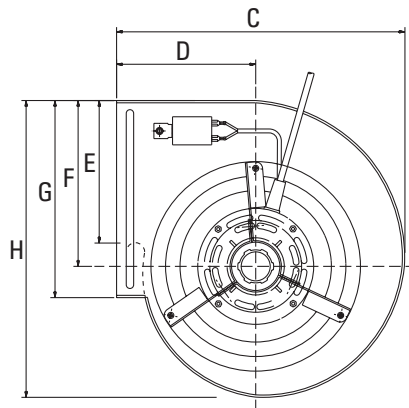
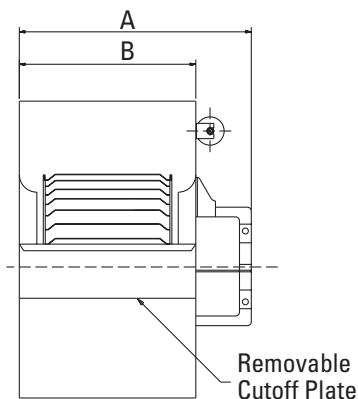
Accessories

See Table



Dimensions

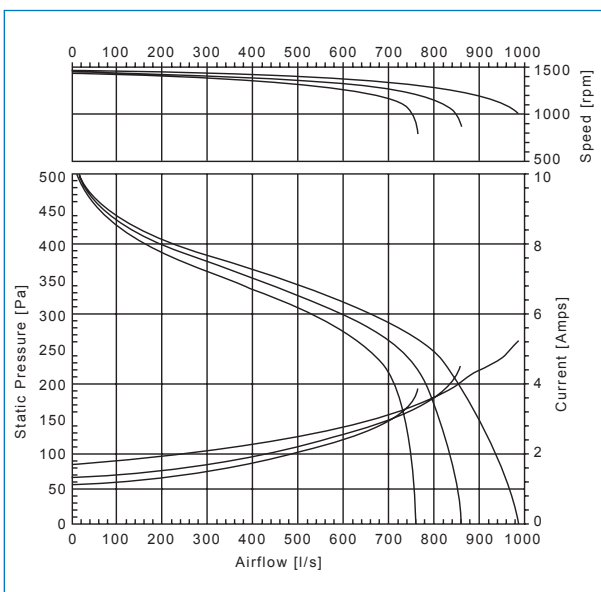
	A	B	C	D	E	F	G	H
DDG241-241-300	365	300	380	185	185	220	262	392



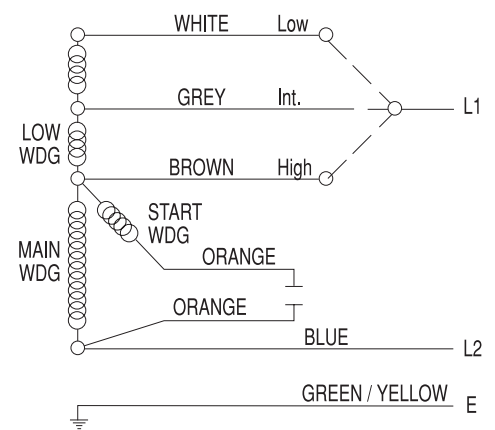
MOTOR	40P5134-600SA
POLES	4
SPEEDS	3
WATTS OUT	600
BEARINGS	BALL
VENTING	CASE & ENDS
MAIN LEAD	1300
CONNECTORS	B and E on earth
CAPACITOR LEAD	1300
CONNECTORS	F
WEIGHT (KG)	14.5
HOUSING SUPPORT BRACKETS	KH054-241

B: Bootlace **E:** Eyelet **F:** Flag Terminals with Insulators

Performance Graphs



Wiring Diagram



www.torin.com.au

Photos and drawings may not be a correct representation of all products. October 2004

Torin Industries Pty Ltd

1/14 Monterey Rd
Dandenong South VIC 3175
Australia

Telephone 61 3 8787 2100
Facsimile 61 3 8787 2173
Email sales@torin.com.au

Torin Industries (Malaysia) Sdn Bhd

6536A Jalan Bukit Kemuning
Batu 6, Seksyen 34, 40470
Shah Alam Selangor

Telephone 60 3 5124 6157
Facsimile 60 3 5121 1467
Email sales@torin.com.au

Direct Drive Blowers

270mm Diameter - 270mm Width



Housing

G2 Galvabond Steel Z275

Wheel

Polypropylene

Motor

240 volts, 50Hz, 1ph C.S.R.

Class B Insulation

Automatic Thermal Overload Protection

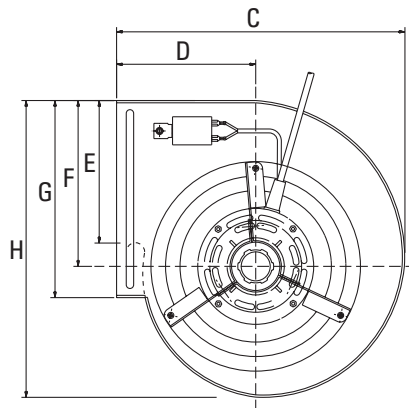
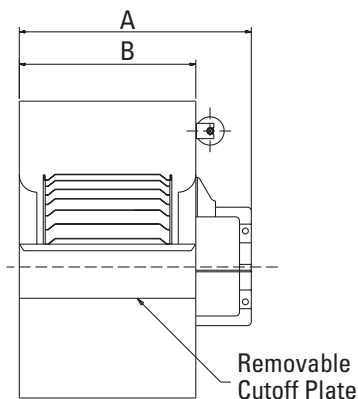
Accessories

See Table



Dimensions

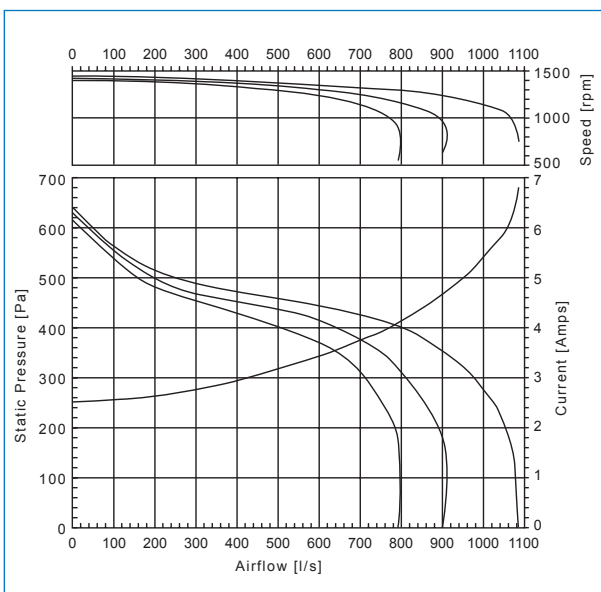
	A	B	C	D	E	F	G	H
DDG270-270-300	400	334	420	202	205	246	288	442



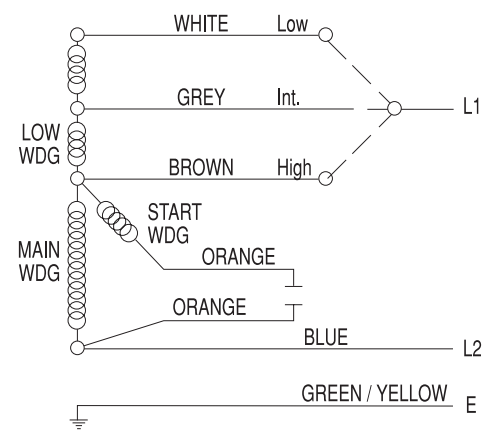
MOTOR	40P5134-600SA
POLES	4
SPEEDS	3
WATTS OUT	600
BEARINGS	BALL
VENTING	CASE & ENDS
MAIN LEAD	1300
CONNECTORS	B and E on earth
CAPACITOR LEAD	1300
CONNECTORS	F
WEIGHT (KG)	15.5

B: Bootlace **E:** Eyelet **F:** Flag Terminals with Insulators

Performance Graph



Wiring Diagram



www.torin.com.au

Photos and drawings may not be a correct representation of all products. October 2004

Torin Industries Pty Ltd

1/14 Monterey Rd
Dandenong South VIC 3175
Australia

Telephone 61 3 8787 2100
Facsimile 61 3 8787 2173
Email sales@torin.com.au

Torin Industries (Malaysia) Sdn Bhd

6536A Jalan Bukit Kemuning
Batu 6, Seksyen 34, 40470
Shah Alam Selangor

Telephone 60 3 5124 6157
Facsimile 60 3 5121 1467
Email sales@torin.com.au

Direct Drive Blowers

270mm Diameter - 270mm Width



Housing

G2 Galvabond Steel Z275

Wheel

Polypropylene

Motor

240 volts, 50Hz, 1ph C.S.R.

Class B Insulation

Automatic Thermal Overload Protection

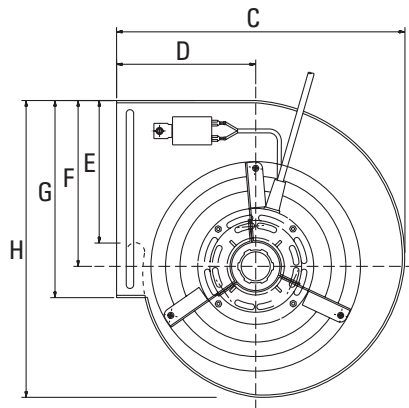
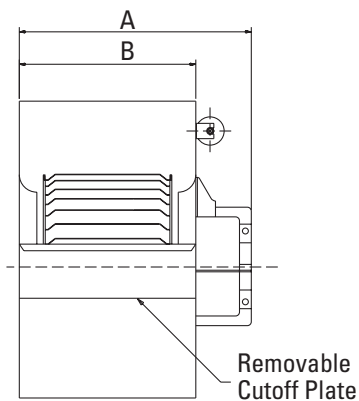
Accessories

See Table



Dimensions

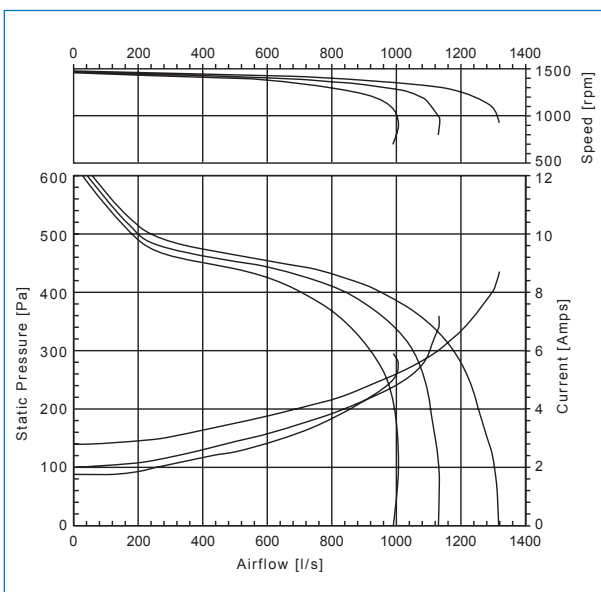
	A	B	C	D	E	F	G	H
DDG270-270-360	400	334	420	202	205	246	288	442



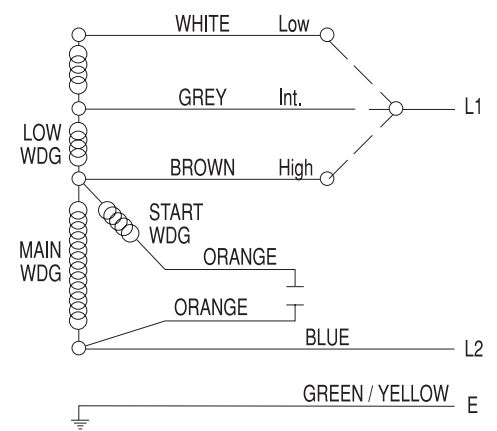
MOTOR	40P5134-750SA
POLES	4
SPEEDS	3
WATTS OUT	750
BEARINGS	BALL
VENTING	CASE & ENDS
MAIN LEAD	1000
CONNECTORS	B and E on earth
CAPACITOR LEAD	1000
CONNECTORS	F
WEIGHT (KG)	16.0
HOUSING SUPPORT BRACKETS	KH054-270

B: Bootlace **E:** Eyelet **F:** Flag Terminals with Insulators

Performance Graph



Wiring Diagram



www.torin.com.au

Photos and drawings may not be a correct representation of all products. October 2004

Torin Industries Pty Ltd

1/14 Monterey Rd
Dandenong South VIC 3175
Australia

Telephone 61 3 8787 2100
Facsimile 61 3 8787 2173
Email sales@torin.com.au

Torin Industries (Malaysia) Sdn Bhd

6536A Jalan Bukit Kemuning
Batu 6, Seksyen 34, 40470
Shah Alam Selangor
Telephone 60 3 5124 6157
Facsimile 60 3 5121 1467
Email sales@torin.com.au