



**RK05J**

**Engineering Drawings**

Digital Equipment Corporation

The material herein is for information purposes only and is subject to change without notice. Digital Equipment Corporation assumes no responsibility for any errors which may appear herein.

These drawings and specifications herein are the property of Digital Equipment Corporation and shall not be reproduced or copied or used in whole or in part as the basis for the manufacture or sale of items without written permission.

Copyright © 1975, Digital Equipment Corporation

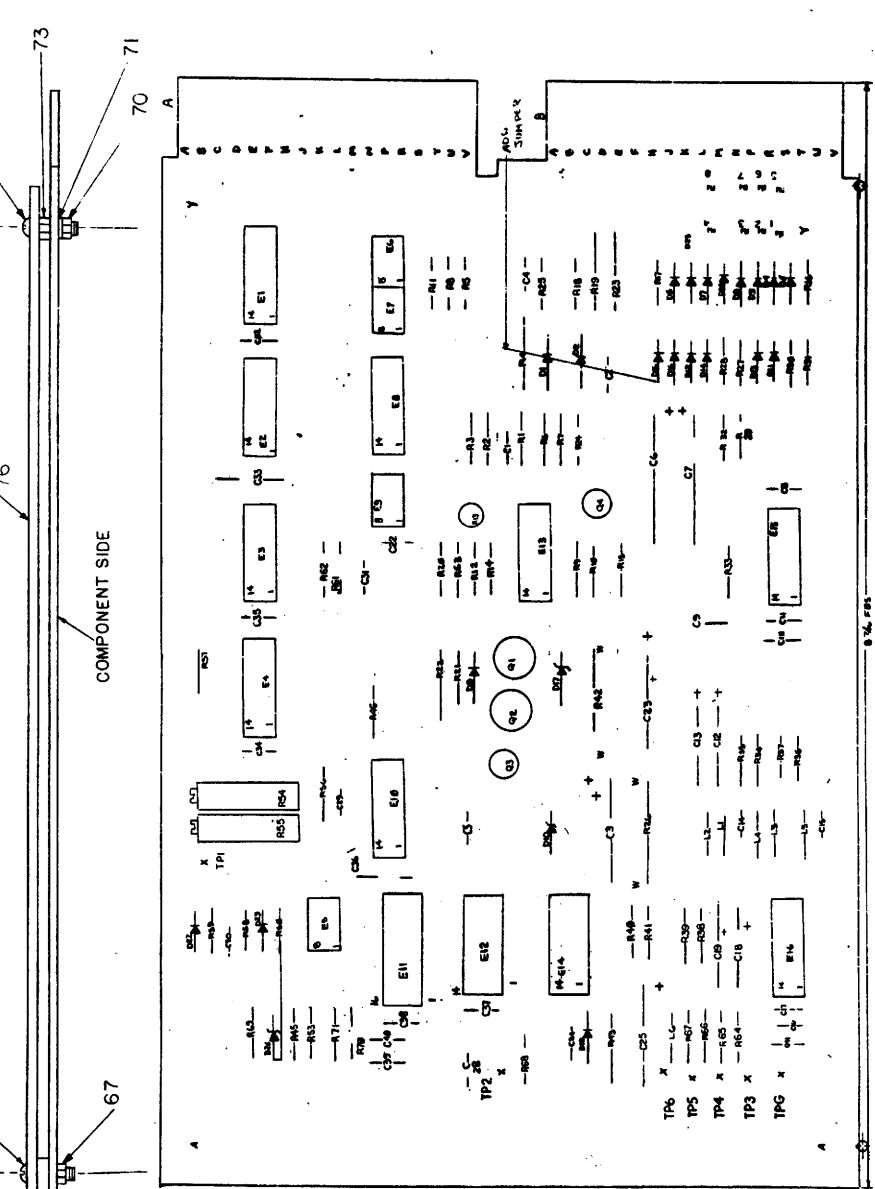






**NOTES:**

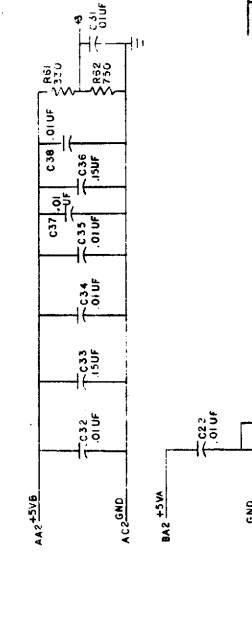
1. DIMENSIONS AND SPECIFICATIONS, UNLESS OTHERWISE SPECIFIED, ARE THE STANDARD MILITARY SPECIFICATIONS FOR THE PARTS LISTED IN THIS DRAWING. THE PARTS LISTED IN THIS DRAWING ARE THE PROPERTY OF THE COMPANY AND ARE NOT TO BE REPRODUCED OR TRANSMITTED IN ANY FORM OR BY ANY MEANS, ELECTRONIC OR MECHANICAL, INCLUDING PHOTOCOPYING, RECORDING, OR BY ANY INFORMATION STORAGE AND RETRIEVAL SYSTEM.



**NOTE:**  
DO NOT INSERT HANDLE HOLE EYELETS IN OUTSIDE HANDLE HOLES. (2 PLCS)

QTY	REF. DESIGNATION	DESCRIPTION	PART NO.	ITEM NO.
80	900540-55	WIRE SOAKING GREEN	100122	1
79	130122	DIODE IN748A (3.3V ZENER)	100122	2
78	130122	RES. 180 1/4W 5%	130122	3
77	1300229	NOISE SHIELD	1300229	4
76	310139-140	HANDLE FLIP CHIP- GREEN	310139-140	5
75	9006337-01	SWAGE LUG	9006337-01	6
74	9007791	HEX NUT- NYLON- 2-56	9007791	7
73	9007263	EYELET #64-7	9007263	8
72	9006732	INTERNAL LOCK WASHER #2-56	9006732	9
71	9006631	HEX NUT #2-56	9006631	10
70	9006555	SCREW 4X20X3/8	9006555	11
69	9006011-4	SCREW PAN HD #2-56X 5/18	9006011-4	12
68	9006002-1	KEP NUT 4/40	9006002-1	13
67	9006557	WIRE SOAKING GREEN	9006557	14

QTY	REF. DESIGNATION	DESCRIPTION	PART NO.	ITEM NO.
1	900540-55	WIRE SOAKING GREEN	100122	1
1	130122	DIODE IN748A (3.3V ZENER)	100122	2
1	130122	RES. 180 1/4W 5%	130122	3
1	1300229	NOISE SHIELD	1300229	4
1	310139-140	HANDLE FLIP CHIP- GREEN	310139-140	5
1	9006337-01	SWAGE LUG	9006337-01	6
1	9007791	HEX NUT- NYLON- 2-56	9007791	7
1	9007263	EYELET #64-7	9007263	8
1	9006732	INTERNAL LOCK WASHER #2-56	9006732	9
1	9006631	HEX NUT #2-56	9006631	10
1	9006555	SCREW 4X20X3/8	9006555	11
1	9006011-4	SCREW PAN HD #2-56X 5/18	9006011-4	12
1	9006002-1	KEP NUT 4/40	9006002-1	13
1	9006557	WIRE SOAKING GREEN	9006557	14



QTY	REF. DESIGNATION	DESCRIPTION	PART NO.	ITEM NO.
1	900540-55	WIRE SOAKING GREEN	100122	1
1	130122	DIODE IN748A (3.3V ZENER)	100122	2
1	130122	RES. 180 1/4W 5%	130122	3
1	1300229	NOISE SHIELD	1300229	4
1	310139-140	HANDLE FLIP CHIP- GREEN	310139-140	5
1	9006337-01	SWAGE LUG	9006337-01	6
1	9007791	HEX NUT- NYLON- 2-56	9007791	7
1	9007263	EYELET #64-7	9007263	8
1	9006732	INTERNAL LOCK WASHER #2-56	9006732	9
1	9006631	HEX NUT #2-56	9006631	10
1	9006555	SCREW 4X20X3/8	9006555	11
1	9006011-4	SCREW PAN HD #2-56X 5/18	9006011-4	12
1	9006002-1	KEP NUT 4/40	9006002-1	13
1	9006557	WIRE SOAKING GREEN	9006557	14

QTY	REF. DESIGNATION	DESCRIPTION	PART NO.	ITEM NO.
1	900540-55	WIRE SOAKING GREEN	100122	1
1	130122	DIODE IN748A (3.3V ZENER)	100122	2
1	130122	RES. 180 1/4W 5%	130122	3
1	1300229	NOISE SHIELD	1300229	4
1	310139-140	HANDLE FLIP CHIP- GREEN	310139-140	5
1	9006337-01	SWAGE LUG	9006337-01	6
1	9007791	HEX NUT- NYLON- 2-56	9007791	7
1	9007263	EYELET #64-7	9007263	8
1	9006732	INTERNAL LOCK WASHER #2-56	9006732	9
1	9006631	HEX NUT #2-56	9006631	10
1	9006555	SCREW 4X20X3/8	9006555	11
1	9006011-4	SCREW PAN HD #2-56X 5/18	9006011-4	12
1	9006002-1	KEP NUT 4/40	9006002-1	13
1	9006557	WIRE SOAKING GREEN	9006557	14

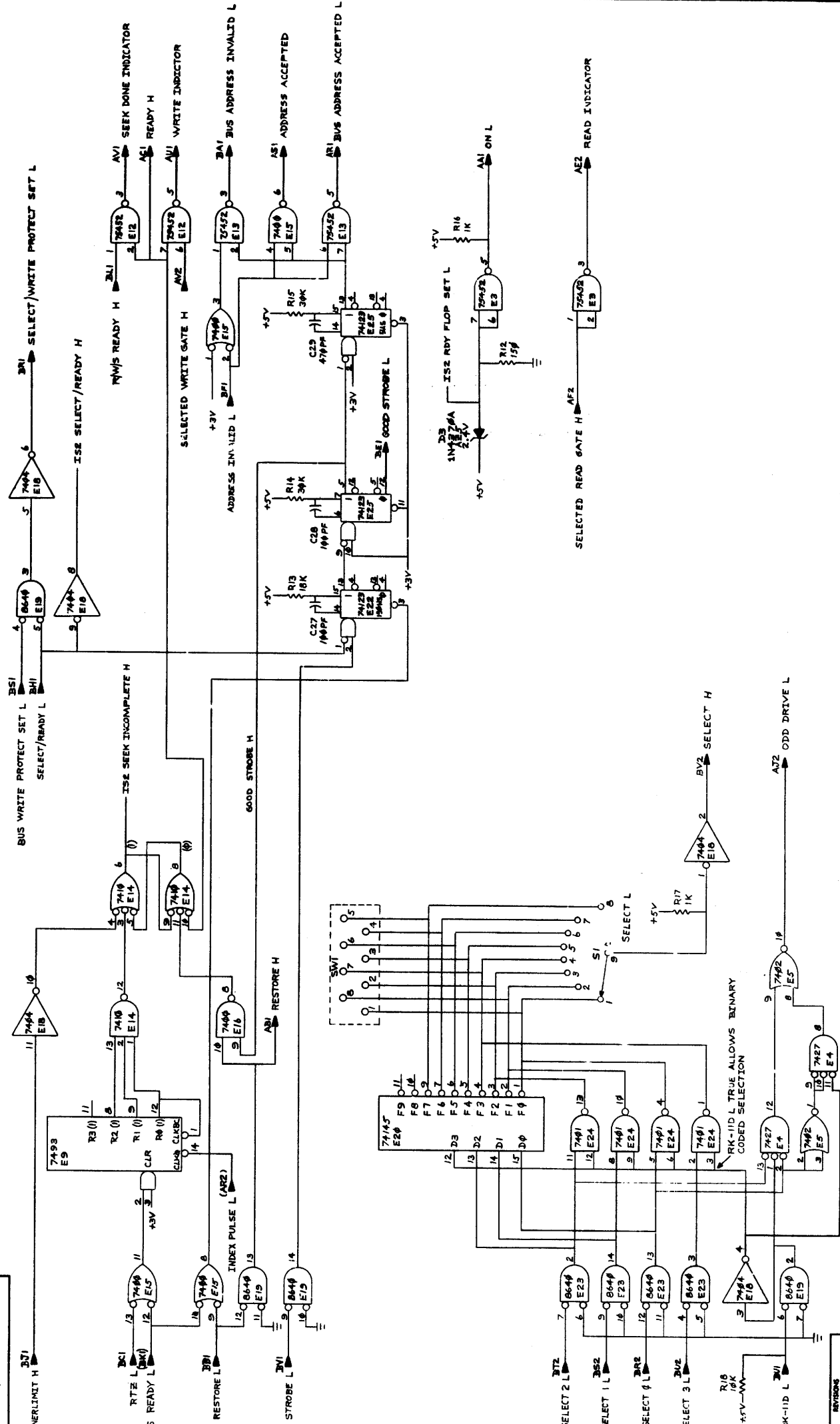
QTY	REF. DESIGNATION	DESCRIPTION	PART NO.	ITEM NO.
1	900540-55	WIRE SOAKING GREEN	100122	1
1	130122	DIODE IN748A (3.3V ZENER)	100122	2
1	130122	RES. 180 1/4W 5%	130122	3
1	1300229	NOISE SHIELD	1300229	4
1	310139-140	HANDLE FLIP CHIP- GREEN	310139-140	5
1	9006337-01	SWAGE LUG	9006337-01	6
1	9007791	HEX NUT- NYLON- 2-56	9007791	7
1	9007263	EYELET #64-7	9007263	8
1	9006732	INTERNAL LOCK WASHER #2-56	9006732	9
1	9006631	HEX NUT #2-56	9006631	10
1	9006555	SCREW 4X20X3/8	9006555	11
1	9006011-4	SCREW PAN HD #2-56X 5/18	9006011-4	12
1	9006002-1	KEP NUT 4/40	9006002-1	13
1	9006557	WIRE SOAKING GREEN	9006557	14

QTY	REF. DESIGNATION	DESCRIPTION	PART NO.	ITEM NO.
1	900540-55	WIRE SOAKING GREEN	100122	1
1	130122	DIODE IN748A (3.3V ZENER)	100122	2
1	130122	RES. 180 1/4W 5%	130122	3
1	1300229	NOISE SHIELD	1300229	4
1	310139-140	HANDLE FLIP CHIP- GREEN	310139-140	5
1	9006337-01	SWAGE LUG	9006337-01	6
1	9007791	HEX NUT- NYLON- 2-56	9007791	7
1	9007263	EYELET #64-7	9007263	8
1	9006732	INTERNAL LOCK WASHER #2-56	9006732	9
1	9006631	HEX NUT #2-56	9006631	10
1	9006555	SCREW 4X20X3/8	9006555	11
1	9006011-4	SCREW PAN HD #2-56X 5/18	9006011-4	12
1	9006002-1	KEP NUT 4/40	9006002-1	13
1	9006557	WIRE SOAKING GREEN	9006557	14



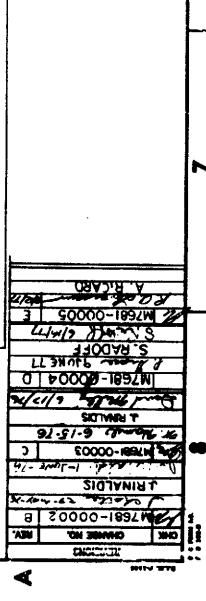
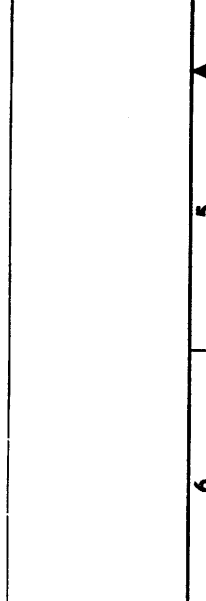
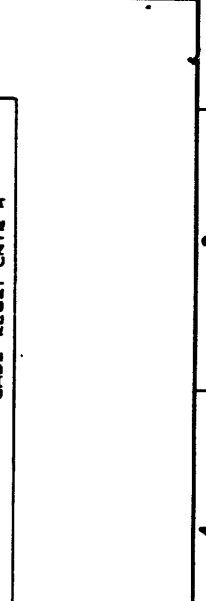


THE SIGNALS AND INDICATORS, VOLTAGE, AND THE  
 ALL THE SIGNALS ARE ASSUMED TO BE ACTIVE LOW UNLESS  
 OTHERWISE SPECIFIED. THE SIGNALS ARE ASSUMED TO BE  
 ACTIVE HIGH UNLESS OTHERWISE SPECIFIED. THE SIGNALS  
 ARE ASSUMED TO BE ACTIVE LOW UNLESS OTHERWISE  
 SPECIFIED. © 1976 WESTERN ELECTRONIC CORPORATION



REV.:	B
NUMBER	D
TITLE	DEC PACK INDEX (IS2) AND SECTOR
SCALE	1
SHEET	2 OF 2
DATE:	
CS	M7680-0-1





1 2 3 4 5 6 7 8

1 2 3 4 5 6 7 8

1 2 3 4 5 6 7 8

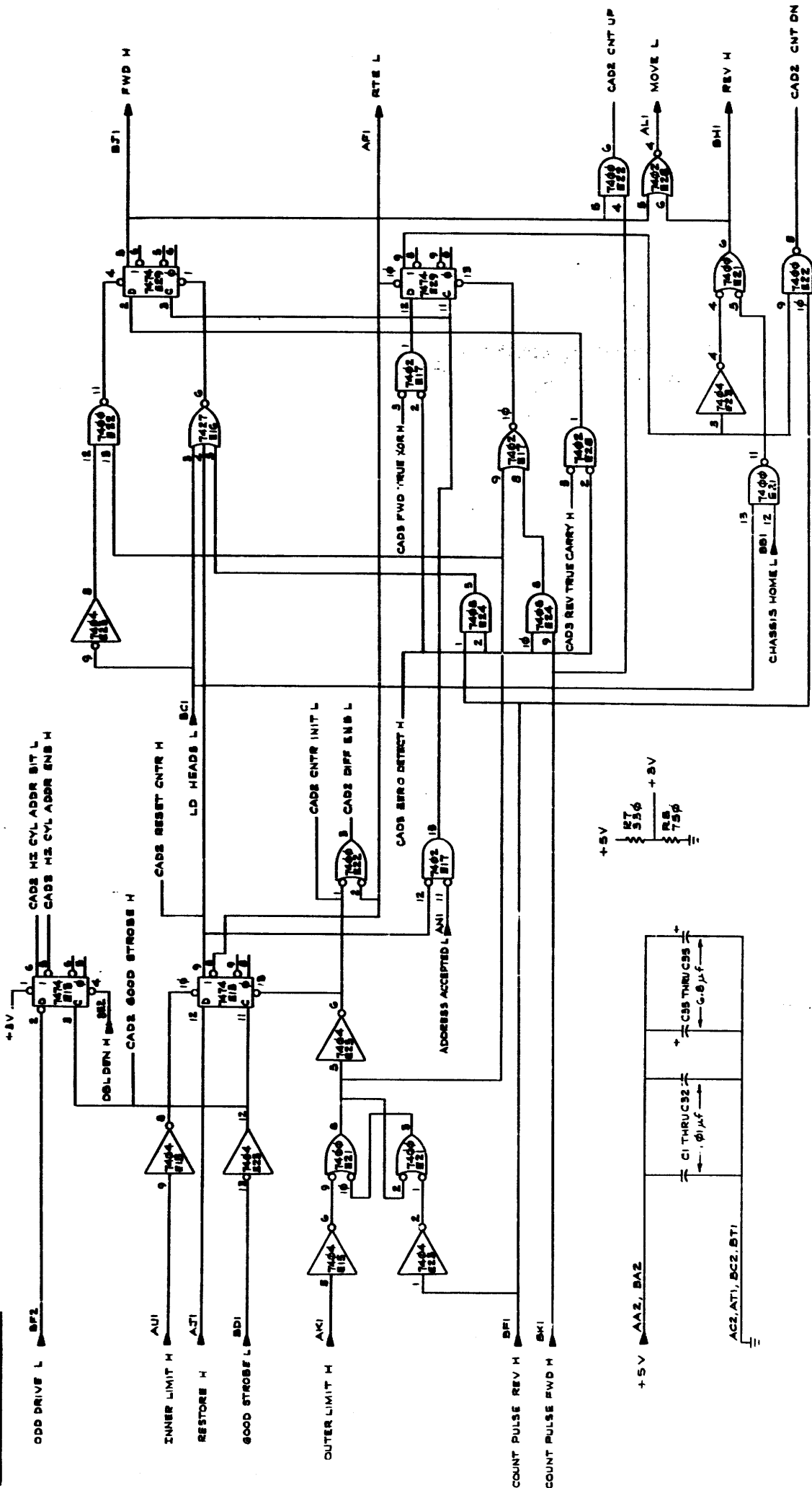
1 2 3 4 5 6 7 8

ETCH REV. D  
M7681-0002 B  
M7681-0003 B  
M7681-0004 D  
M7681-0005 E  
M7681-0006 F  
M7681-0007 G  
M7681-0008 H  
M7681-0009 I  
M7681-0010 J  
M7681-0011 K  
M7681-0012 L  
M7681-0013 M  
M7681-0014 N  
M7681-0015 O  
M7681-0016 P  
M7681-0017 Q  
M7681-0018 R  
M7681-0019 S  
M7681-0020 T  
M7681-0021 U  
M7681-0022 V  
M7681-0023 W  
M7681-0024 X  
M7681-0025 Y  
M7681-0026 Z  
M7681-0027  
M7681-0028  
M7681-0029  
M7681-0030

THE SHOWN AND SPECIFICATIONS, MATERIALS AND THE QUALITY OF MATERIALS, PERFORMANCE CHARACTERISTICS AND OPERATING CONDITIONS ARE SUBJECT TO CHANGE WITHOUT NOTICE AND WITHOUT OBLIGATION OF THE COMPANY.

DATE: 10/15/76  
DRAWN: J.M.  
CHECKED: J.M.  
APPROVED: J.M.

ALL RIGHTS ARE RESERVED BY THE  
 MANUFACTURER. THIS DOCUMENT IS THE  
 PROPERTY OF THE MANUFACTURER AND IS  
 NOT TO BE REPRODUCED OR TRANSMITTED  
 IN ANY FORM OR BY ANY MEANS, ELECTRONIC  
 OR MECHANICAL, INCLUDING PHOTOCOPYING,  
 RECORDING, OR BY ANY INFORMATION  
 STORAGE AND RETRIEVAL SYSTEM.



THE MARKING AND INDICATORS, SERIAL, AND THE  
 PROPERTY OF SPECTRA-RESEARCH CORPORATION AND  
 ARE TO BE KEPT AS THE TRADE AND MANUFACTURING MARK  
 OF SPECTRA-RESEARCH CORPORATION AND NOT BE REPRODUCED  
 OR TRANSMITTED IN ANY FORM OR BY ANY MEANS, ELECTRONIC  
 MECHANICAL, PHOTOCOPYING, RECORDING, OR BY ANY INFORMATION  
 STORAGE AND RETRIEVAL SYSTEMS WITHOUT THE WRITTEN PERMISSION  
 OF SPECTRA-RESEARCH CORPORATION.

CADI CURR CYL ADDR 1 H  
 CADI DCA 1 L  
 CADI CURR CYL ADDR 2 H  
 CADI DCA 2 L  
 CADI CURR CYL ADDR 4 H  
 CADI DCA 4 L  
 CADI CURR CYL ADDR 8 H  
 CADI DCA 8 L

CADI CURR CYL ADDR 16 H  
 CADI DCA 16 L  
 CADI CURR CYL ADDR 32 H  
 CADI DCA 32 L  
 CADI CURR CYL ADDR 64 H  
 CADI DCA 64 L  
 CADI CURR CYL ADDR 128 H  
 CADI DCA 128 L

CADI CURR CYL ADDR 256 H  
 CADI DCA 256 L  
 +3V

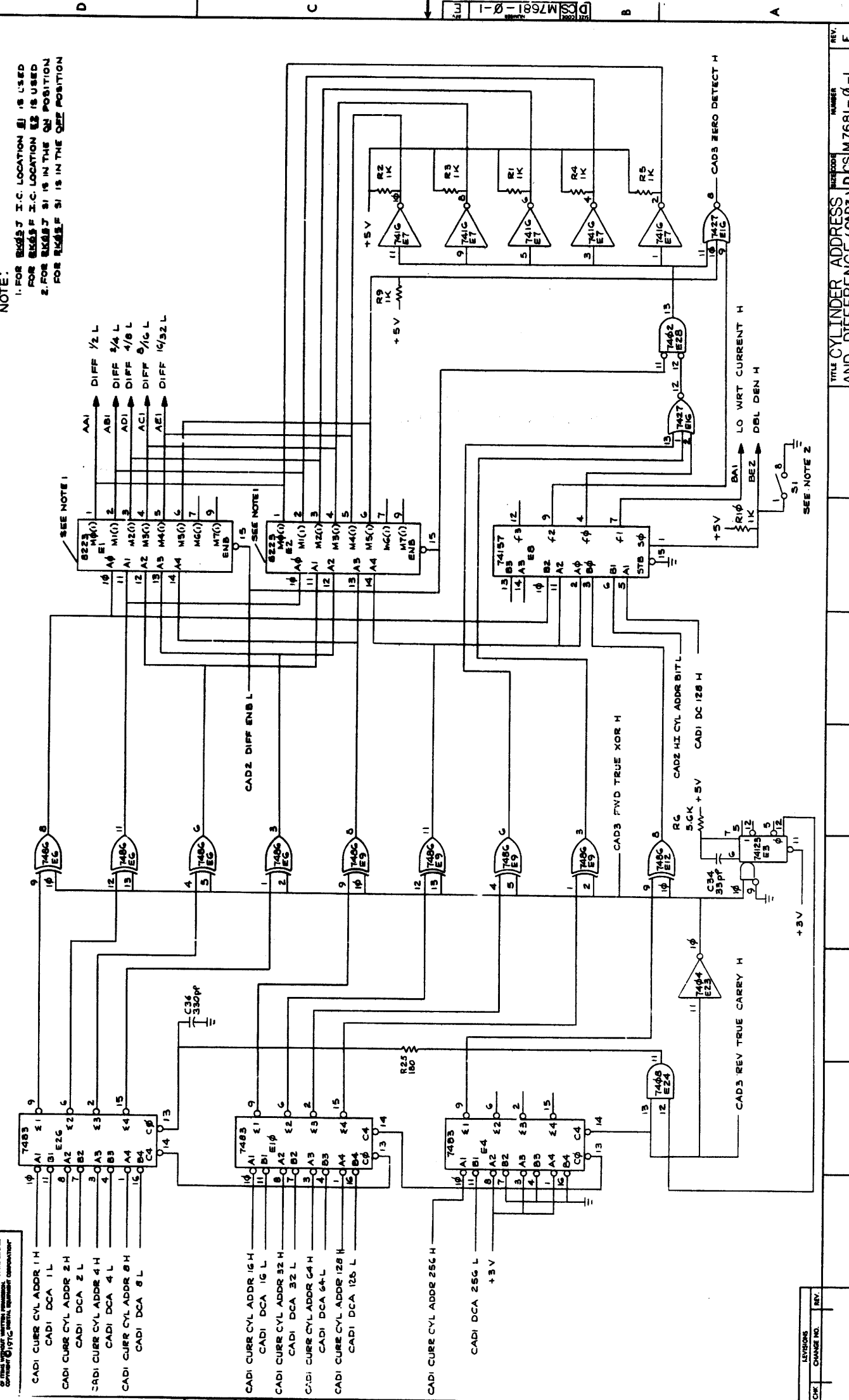
CAD3 REV TRUE CARRY H  
 CAD3 FND TRUE XOR H  
 CAD2 HI CYL ADDR BIT L  
 CAD1 DC 128 H  
 +3V

SEE NOTE 1  
 1 8223 M(0)  
 2 M(1)  
 3 M(2)  
 4 M(3)  
 5 M(4)  
 6 M(5)  
 7 M(6)  
 8 M(7)  
 9 ENB

SEE NOTE 1  
 1 8223 M(0)  
 2 M(1)  
 3 M(2)  
 4 M(3)  
 5 M(4)  
 6 M(5)  
 7 M(6)  
 8 M(7)  
 9 ENB

74157  
 13 B5  
 14 A3  
 15 f3  
 12  
 10 B2  
 11 A2  
 9 f2  
 8  
 7 B1  
 6 A1  
 5 f1  
 4  
 3  
 2  
 1

NOTE:  
 1. FOR BE6J3 I.C. LOCATION E1 IS USED  
 FOR BE6JF I.C. LOCATION E2 IS USED  
 2. FOR BE6J7 S1 IS IN THE Q1 POSITION  
 FOR BE6J5 S1 IS IN THE Q2 POSITION



REV.  
 NUMBER  
 DCS M7681-0-1  
 E

TITLE CYLINDER ADDRESS  
 AND DIFFERENCE (CAD3)  
 SCALE 1:1  
 SHEET 3 OF 5  
 DIST. 1

REV.  
 NUMBER  
 DCS M7681-0-1  
 E



THIS DRAWING AND SPECIFICATIONS ARE THE PROPERTY OF BENTON BROS. COMPANY AND WILL BE LOANED TO YOU FOR YOUR USE ONLY. IT IS TO BE USED ONLY FOR THE PROJECT AND NOT TO BE REPRODUCED OR TRANSMITTED IN ANY FORM OR BY ANY MEANS, ELECTRONIC OR MECHANICAL, INCLUDING PHOTOCOPYING, RECORDING, OR BY ANY INFORMATION STORAGE AND RETRIEVAL SYSTEM. WITHOUT THE WRITTEN PERMISSION OF BENTON BROS. COMPANY.

1-0-10ZZWSD 2

3

4

5

6

7

8

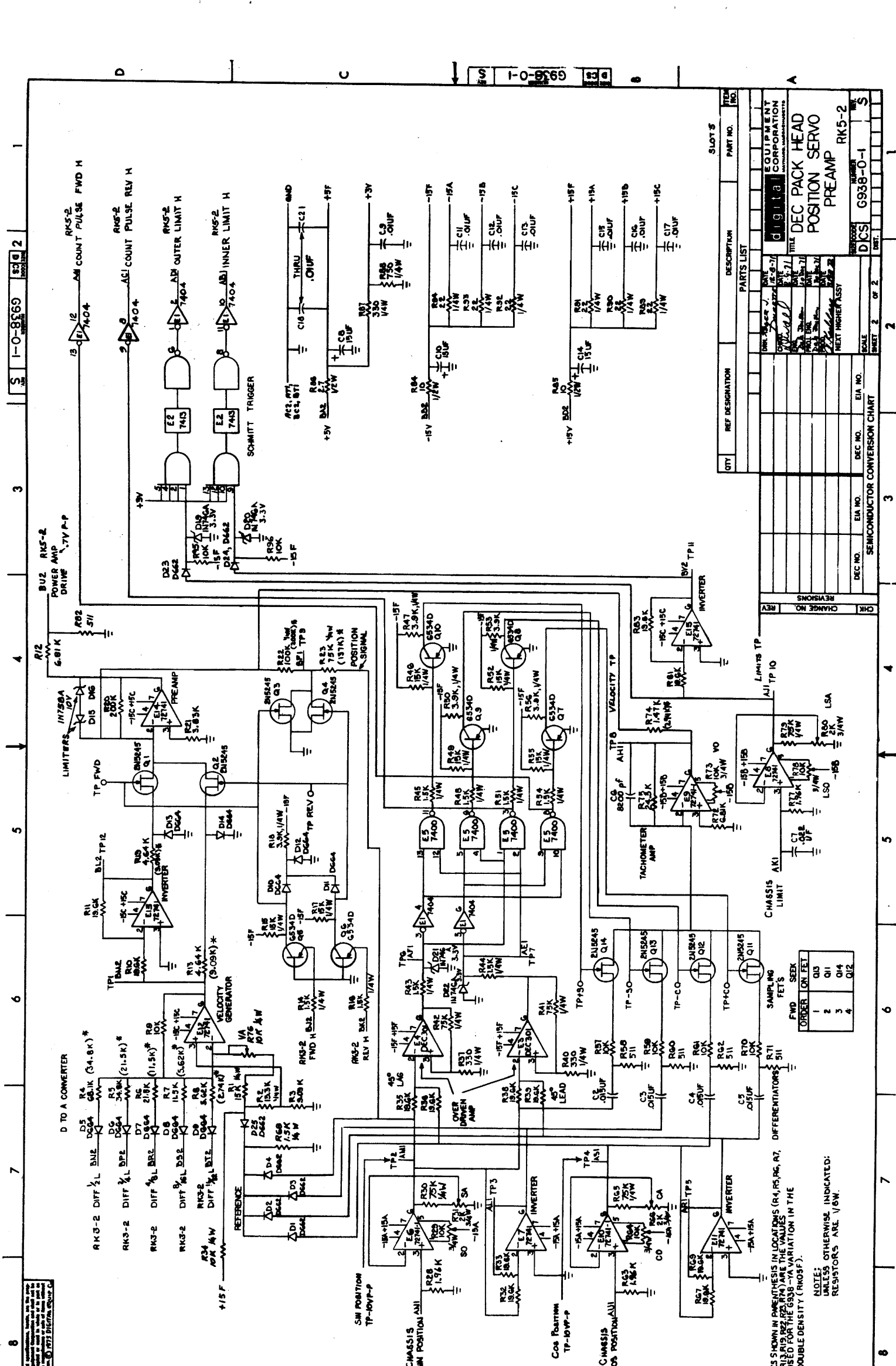
QTY	REF DESIGNATION	DESCRIPTION	PART NO.	ITEM NO.
		X-1 COORDINATE HOLE LOCATION	K-CQ-47701-0-4	1
		ASSY/DRILLING HOLE LAYOUT	E-JH-47701-0-5	2
		MOBILE ECO HISTORY	B-JH-47701-0-5	3
		ETCHED CIRCUIT BOARD	5009714	4
25	C1-C20, C25-C27, C30, C31	CAP. .01 UF. 100V. 20%. DISC	1001610	5
1	C21	CAP. .15 UF. 20V. 20%. TANT	1004812	6
1	C22	CAP. .10 UF. 20V. 20%. TANT	1004513	7
1	C23	CAP. .15 UF. 35V. 20%. TANT	1002180	8
2	C28, C29	CAP. 470 PF. 100V. 5%. DM	1006024	9
1	D1	DIODE. D964	1100114	10
2	D1, D11	DIODE. D870	1102182	11
2	D9, D10	DIODE. 1M4001	1102842	12
1	D6	DIODE. 1N748A. 3.3V	1104860	13
1	D4	DIODE. 1N748. 3.9V	1100121	14
2	D5, D7	DIODE. 1N750S. 12V	1110643	15
A/R		GRIPLETS	1210244-0	16
1	R27	RES. 100 OHMS. 1/8. 5%	1300229	17
2	R2, R3	RES. 330 OHMS. 1/8. 5%	1300295	18
2	R18, R19	RES. 470 OHMS. 1/8. 5%	1300316	19
1	R1	RES. 750 OHMS. 1/8. 5%	1301401	20
9	R12, R13, R15, R20, R24, R25, R26, R28, R14	RES. 1K. 1/8. 5%	1300385	21
1	R28	RES. 1.5K. 1/8. 5%	1300391	22
1	R4	RES. 880 OHMS. 1/8. 5%	1301424	23
2	R11, R21	RES. 47K. 1/8. 5%	1306447	24
1	R10	RES. 5.6K. 1/8. 5%	1301074	25
5	R5, R6, R17, R22, R23	RES. 18K. 1/8. 5%	1300479	26
				27
				28
2	R7, R10	RES. 1M. 1/8. 5%	1300585	29
1	R6	RES. 10 M. 1/8. 5%	1302868	30
1	R9	RES. 10 K. 1/8. 10%. 76 PR	1309143-10	31
1	Q4	TRANSISTOR. DEC 6531	1500330	32
1	Q1	TRANSISTOR. DEC 2219	1501881	33
1	Q3	TRANSISTOR. DEC 05340	1503409-90	34
1	Q2	TRANSISTOR. DEC 44C3	1516171	35
4	E3, E7, E16, E14	I.C. DEC 7400	1885575	36
1	E20	I.C. DEC 7402	1909004	37
2	E11, E8	I.C. DEC 7404	1909088	38
2	E12, E10	I.C. DEC 7410	1885576	39
2	E9, E15	I.C. DEC 7474	1905547	40
2	E22, E17	I.C. DEC 7483	1889054	41
2	E21, E13	I.C. DEC 74123	1910436	42
6	E2, E4, E6, E5, E18, E19	I.C. DEC 75451	1910206	43
1	E1	I.C. DEC 301	1910282	44
4		EYELET #RSL-7	9006732	45
2		HANDLE FLIP CHIP - MAGENTA	9006337-08	46
1		SCREW #4-40 X 5/16	9006010-1	47
1		NUT. KEP #4-40	9008557	48
1	D12	DIODE. 1N5248B. 18V. 5%	1110766	49
1	C24	CAP. .047 UF. 18V. DISC	1000678	50

QTY	REF DESIGNATION	DESCRIPTION	PART NO.	ITEM NO.
		TITLE		
		DISK ENG. CONTROL		
		+INTERLOCK		
		SCALE		
		SHEET 2 OF 3		
		SIZE CODE	D	
		NUMBER	CSIM7701-0-1	
		REV.		P

REV.	CHANGE NO.	DESCRIPTION







QTY	REF DESIGNATION	DESCRIPTION	PARTS LIST	ITEM NO.
1	R12	6.81K		
1	R17	10K		
1	R18	10K		
1	R19	10K		
1	R20	10K		
1	R21	10K		
1	R22	10K		
1	R23	10K		
1	R24	10K		
1	R25	10K		
1	R26	10K		
1	R27	10K		
1	R28	10K		
1	R29	10K		
1	R30	10K		
1	R31	10K		
1	R32	10K		
1	R33	10K		
1	R34	10K		
1	R35	10K		
1	R36	10K		
1	R37	10K		
1	R38	10K		
1	R39	10K		
1	R40	10K		
1	R41	10K		
1	R42	10K		
1	R43	10K		
1	R44	10K		
1	R45	10K		
1	R46	10K		
1	R47	10K		
1	R48	10K		
1	R49	10K		
1	R50	10K		
1	R51	10K		
1	R52	10K		
1	R53	10K		
1	R54	10K		
1	R55	10K		
1	R56	10K		
1	R57	10K		
1	R58	10K		
1	R59	10K		
1	R60	10K		
1	R61	10K		
1	R62	10K		
1	R63	10K		
1	R64	10K		
1	R65	10K		
1	R66	10K		
1	R67	10K		
1	R68	10K		
1	R69	10K		
1	R70	10K		
1	R71	10K		
1	R72	10K		
1	R73	10K		
1	R74	10K		
1	R75	10K		
1	R76	10K		
1	R77	10K		
1	R78	10K		
1	R79	10K		
1	R80	10K		
1	R81	10K		
1	R82	10K		
1	R83	10K		
1	R84	10K		
1	R85	10K		
1	R86	10K		
1	R87	10K		
1	R88	10K		
1	R89	10K		
1	R90	10K		
1	R91	10K		
1	R92	10K		
1	R93	10K		
1	R94	10K		
1	R95	10K		
1	R96	10K		
1	R97	10K		
1	R98	10K		
1	R99	10K		
1	R100	10K		

REV. NO.	CHANGE NO.	REVISIONS
1		
2		

DEC NO.	EIA NO.	SEMICONDUCTOR CONVERSION CHART
1		
2		

DATE	BY	CHKD BY
12-27-71	J. G. ...	J. G. ...
12-27-71	J. G. ...	J. G. ...
12-27-71	J. G. ...	J. G. ...
12-27-71	J. G. ...	J. G. ...
12-27-71	J. G. ...	J. G. ...

ORDER	QUANTITY	DESCRIPTION
1	Q13	
2	Q11	
3	Q14	
4	Q12	

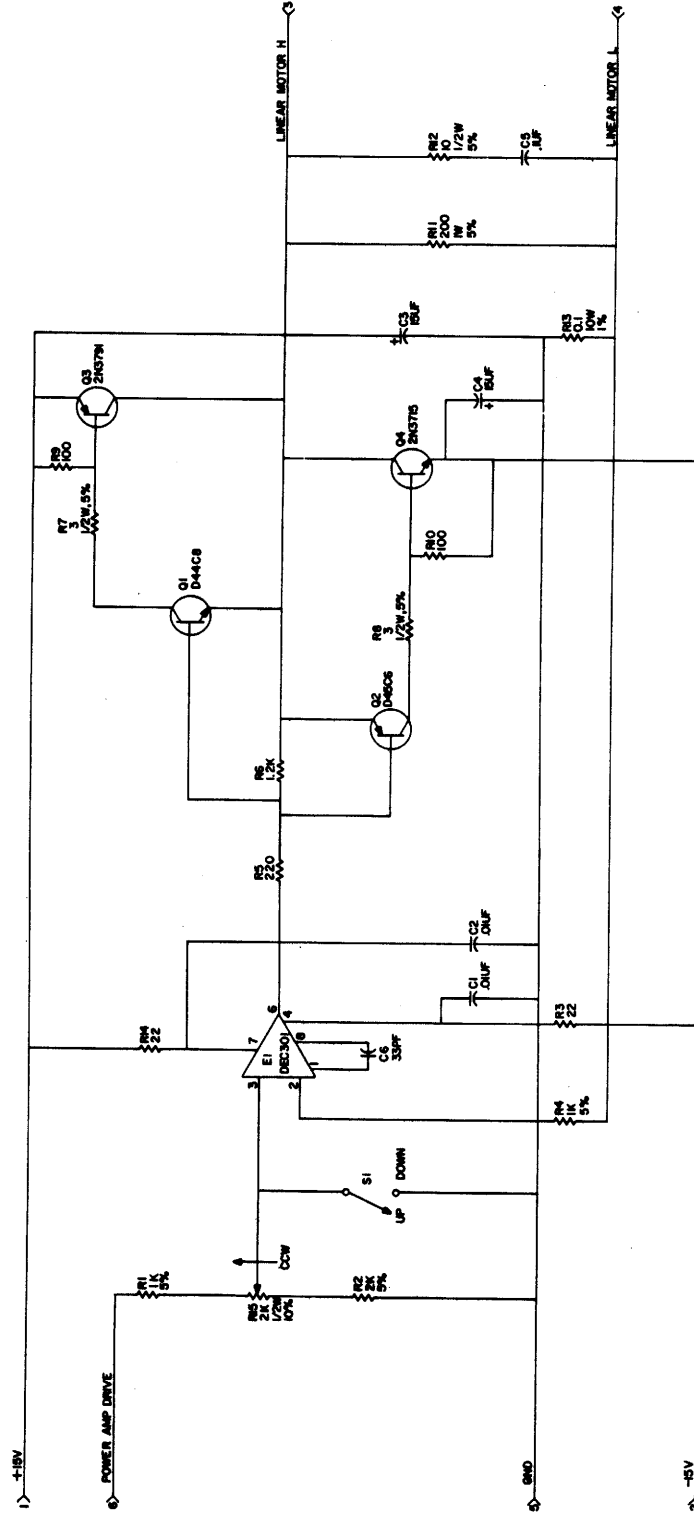
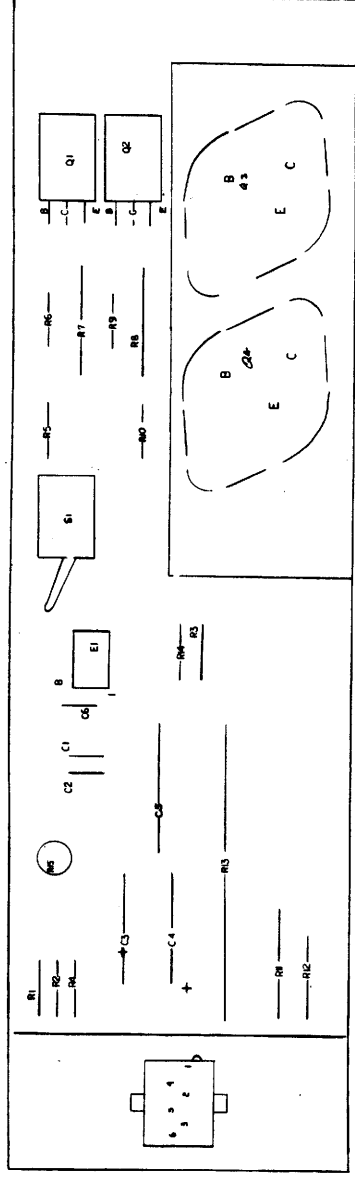
VALUES SHOWN IN PARENTHESIS IN LOCATIONS (R4, R5, R6, R7, R13, R19, R22, R27, R34) ARE THE VALUES TO BE USED FOR THE G938 -YA VARIATION IN THE 995 DOUBLE DENSITY (RK05P).

NOTE: VALUES OTHERWISE INDICATED: RESISTORS ARE 1/8W.



1-0-509N

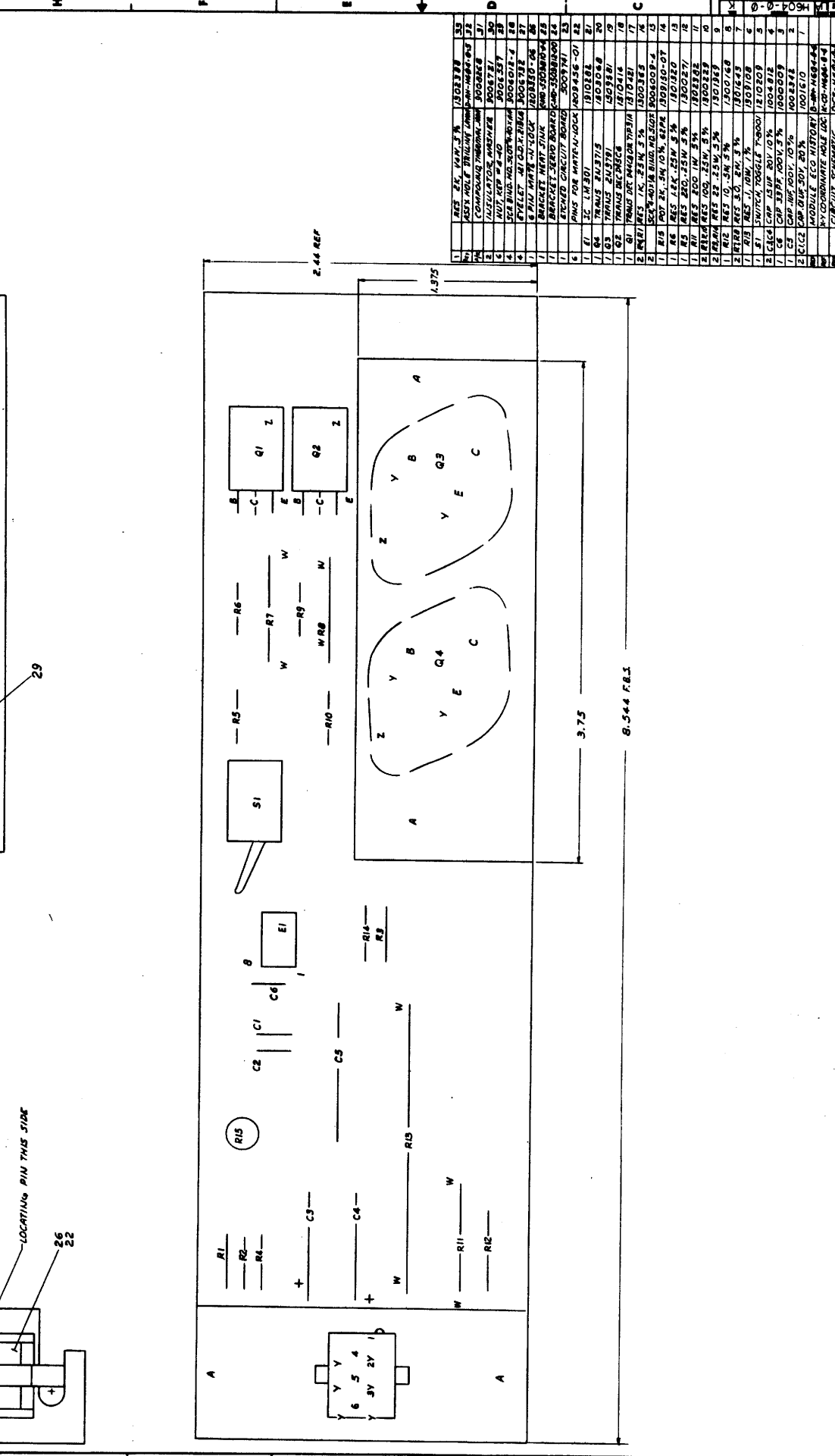
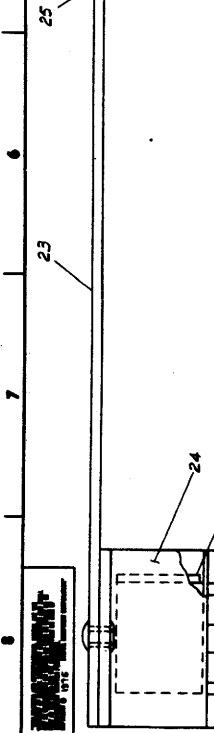
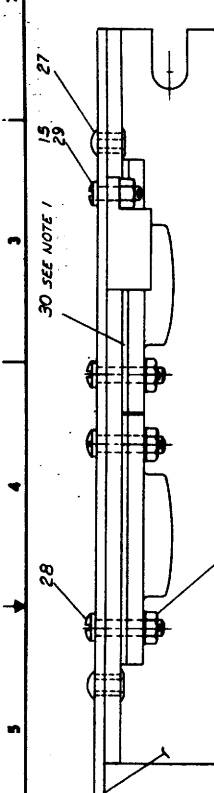
THIS SCHEMATIC IS INTENDED ONLY FOR TEST AND MAINTENANCE PURPOSES. THE CONTENTS ARE NOT TO BE REPRODUCED OR TRANSMITTED IN ANY MANNER WITHOUT THE WRITTEN PERMISSION OF THE ORIGINAL EQUIPMENT MANUFACTURER.



UNLESS OTHERWISE INDICATED:  
RES. ARE 1/4W, 10%  
R13 IS A CURRENT SAMPLING RES.

EQUIPMENT CORPORATION			TAMAGON & INDO CONVERSION CHART		
TYPE	DECRAK HEAD POS. SERVO PWR. AMP.	MODEL	MS04-0-1	REV	K
DATE		ISSUE	CS	ISSUE	K
REV		ISSUE	CS	ISSUE	K
REV		ISSUE	CS	ISSUE	K
REV		ISSUE	CS	ISSUE	K

**NOTES:**  
 1 APPLY THERMAL JOINT COMPOUND (ITEM 3), BETWEEN TRANSISTORS Q3 & Q4 AND WASHER, ITEM 30, ALSO BETWEEN WASHER, ITEM 30 AND BRACKET, HEAT SHIELD, ITEM 25.



REV.	DATE	BY	CHKD.	DESCRIPTION
1				ISSUE FOR PRODUCTION
2				REVISION
3				REVISION
4				REVISION
5				REVISION
6				REVISION
7				REVISION
8				REVISION
9				REVISION
10				REVISION
11				REVISION
12				REVISION
13				REVISION
14				REVISION
15				REVISION
16				REVISION
17				REVISION
18				REVISION
19				REVISION
20				REVISION
21				REVISION
22				REVISION
23				REVISION
24				REVISION
25				REVISION
26				REVISION
27				REVISION
28				REVISION
29				REVISION
30				REVISION
31				REVISION
32				REVISION
33				REVISION
34				REVISION
35				REVISION

**HEAD POSITION SERVO POWER AMP**

REV. 1 10/15/60

DESIGNED BY: [Name]  
 DRAWN BY: [Name]  
 CHECKED BY: [Name]  
 APPROVED BY: [Name]

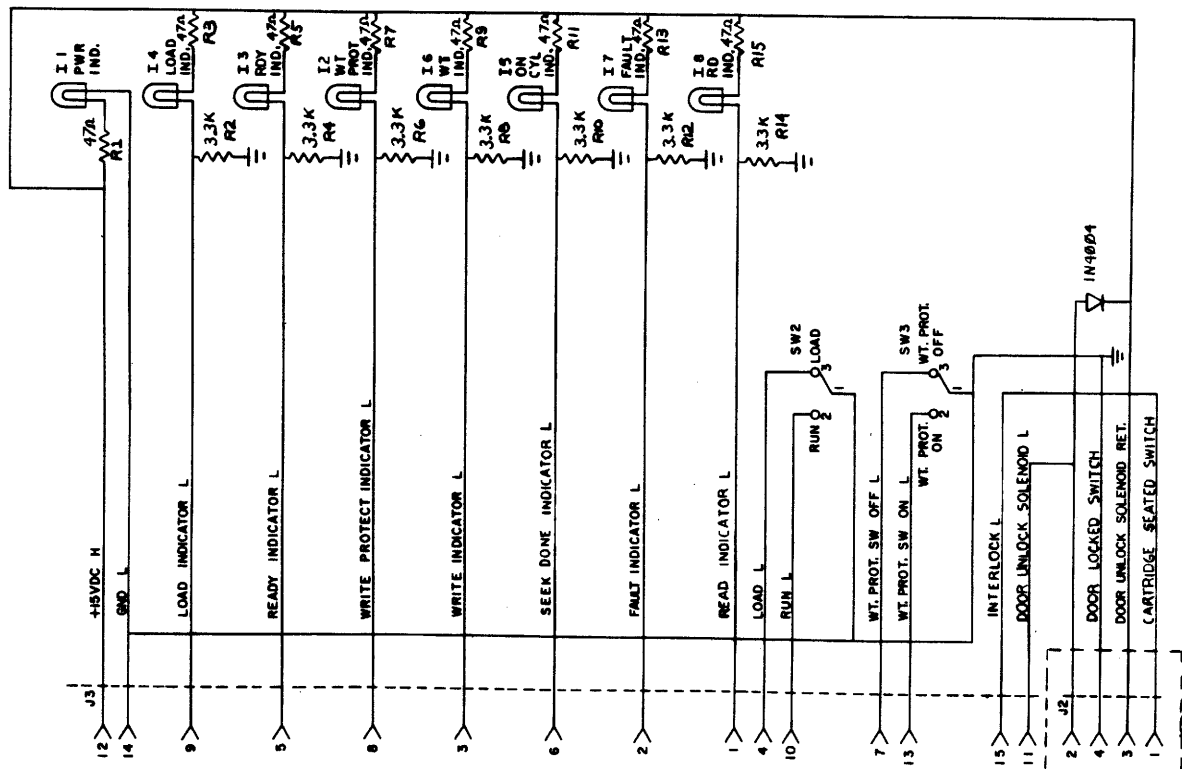
DATE: 10/15/60

SCALE: 1:1

MATERIALS LIST:

QTY	DESCRIPTION	REF.
1	TRANSISTOR Q1	Q1
1	TRANSISTOR Q2	Q2
1	TRANSISTOR Q3	Q3
1	TRANSISTOR Q4	Q4
1	DIODE D1	D1
1	DIODE D2	D2
1	DIODE D3	D3
1	DIODE D4	D4
1	RESISTOR R1	R1
1	RESISTOR R2	R2
1	RESISTOR R4	R4
1	RESISTOR R5	R5
1	RESISTOR R6	R6
1	RESISTOR R7	R7
1	RESISTOR R9	R9
1	RESISTOR R10	R10
1	RESISTOR R11	R11
1	RESISTOR R12	R12
1	RESISTOR R14	R14
1	RESISTOR R8	R8
1	RESISTOR R9	R9
1	CAPACITOR C1	C1
1	CAPACITOR C2	C2
1	CAPACITOR C3	C3
1	CAPACITOR C4	C4
1	CAPACITOR C5	C5
1	CAPACITOR C6	C6

THIS SCHEMATIC IS FURNISHED ONLY FOR TEST AND MAINTENANCE PURPOSES. THE SCHEMATIC SHOULD BE TREATED ACCORDINGLY. COPYRIGHT © 1978 BY DIGITAL EQUIPMENT CORPORATION



SIZE CODE C CS 5409698-0-1  
 NUMBER 12

TITLE RK05 CONTROL PANEL  
 SIZE CODE C CS 5409698-0-1  
 NUMBER 12  
 REV F  
 PRINTED CIRCUIT REV. 12/82

digital  
 EQUIPMENT  
 CORPORATION  
 MAYNARD, MASSACHUSETTS

TRANSISTOR & DIODE CONVERSION CHART	
DC	EIA
DC	DEC
EIA	EIA

DATE	DATE	DATE
11/20/77	11/23/77	11/23/77
DATE	DATE	DATE
11/23/77	11/23/77	11/23/77

REV	DESCRIPTION	DATE
1	INITIALS	11/23/77
2	INITIALS	11/23/77
3	INITIALS	11/23/77
4	INITIALS	11/23/77
5	INITIALS	11/23/77
6	INITIALS	11/23/77
7	INITIALS	11/23/77
8	INITIALS	11/23/77
9	INITIALS	11/23/77
10	INITIALS	11/23/77
11	INITIALS	11/23/77
12	INITIALS	11/23/77
13	INITIALS	11/23/77
14	INITIALS	11/23/77
15	INITIALS	11/23/77
16	INITIALS	11/23/77
17	INITIALS	11/23/77
18	INITIALS	11/23/77
19	INITIALS	11/23/77
20	INITIALS	11/23/77
21	INITIALS	11/23/77
22	INITIALS	11/23/77
23	INITIALS	11/23/77
24	INITIALS	11/23/77
25	INITIALS	11/23/77
26	INITIALS	11/23/77
27	INITIALS	11/23/77
28	INITIALS	11/23/77
29	INITIALS	11/23/77
30	INITIALS	11/23/77

REVISIONS  
 CHK CHG NO. REV.  
 00001 B  
 D TENSEN  
 00000 A  
 00000 C  
 00000 D  
 00000 E  
 00000 F  
 00000 G  
 00000 H  
 00000 I  
 00000 J  
 00000 K  
 00000 L  
 00000 M  
 00000 N  
 00000 O  
 00000 P  
 00000 Q  
 00000 R  
 00000 S  
 00000 T  
 00000 U  
 00000 V  
 00000 W  
 00000 X  
 00000 Y  
 00000 Z  
 00000 AA  
 00000 AB  
 00000 AC  
 00000 AD  
 00000 AE  
 00000 AF  
 00000 AG  
 00000 AH  
 00000 AI  
 00000 AJ  
 00000 AK  
 00000 AL  
 00000 AM  
 00000 AN  
 00000 AO  
 00000 AP  
 00000 AQ  
 00000 AR  
 00000 AS  
 00000 AT  
 00000 AU  
 00000 AV  
 00000 AW  
 00000 AX  
 00000 AY  
 00000 AZ  
 00000 BA  
 00000 BB  
 00000 BC  
 00000 BD  
 00000 BE  
 00000 BF  
 00000 BG  
 00000 BH  
 00000 BI  
 00000 BJ  
 00000 BK  
 00000 BL  
 00000 BM  
 00000 BN  
 00000 BO  
 00000 BP  
 00000 BQ  
 00000 BR  
 00000 BS  
 00000 BT  
 00000 BU  
 00000 BV  
 00000 BW  
 00000 BX  
 00000 BY  
 00000 BZ  
 00000 CA  
 00000 CB  
 00000 CC  
 00000 CD  
 00000 CE  
 00000 CF  
 00000 CG  
 00000 CH  
 00000 CI  
 00000 CJ  
 00000 CK  
 00000 CL  
 00000 CM  
 00000 CN  
 00000 CO  
 00000 CP  
 00000 CQ  
 00000 CR  
 00000 CS  
 00000 CT  
 00000 CU  
 00000 CV  
 00000 CW  
 00000 CX  
 00000 CY  
 00000 CZ  
 00000 DA  
 00000 DB  
 00000 DC  
 00000 DD  
 00000 DE  
 00000 DF  
 00000 DG  
 00000 DH  
 00000 DI  
 00000 DJ  
 00000 DK  
 00000 DL  
 00000 DM  
 00000 DN  
 00000 DO  
 00000 DP  
 00000 DQ  
 00000 DR  
 00000 DS  
 00000 DT  
 00000 DU  
 00000 DV  
 00000 DW  
 00000 DX  
 00000 DY  
 00000 DZ  
 00000 EA  
 00000 EB  
 00000 EC  
 00000 ED  
 00000 EE  
 00000 EF  
 00000 EG  
 00000 EH  
 00000 EI  
 00000 EJ  
 00000 EK  
 00000 EL  
 00000 EM  
 00000 EN  
 00000 EO  
 00000 EP  
 00000 EQ  
 00000 ER  
 00000 ES  
 00000 ET  
 00000 EU  
 00000 EV  
 00000 EW  
 00000 EX  
 00000 EY  
 00000 EZ  
 00000 FA  
 00000 FB  
 00000 FC  
 00000 FD  
 00000 FE  
 00000 FF  
 00000 FG  
 00000 FH  
 00000 FI  
 00000 FJ  
 00000 FK  
 00000 FL  
 00000 FM  
 00000 FN  
 00000 FO  
 00000 FP  
 00000 FQ  
 00000 FR  
 00000 FS  
 00000 FT  
 00000 FU  
 00000 FV  
 00000 FW  
 00000 FX  
 00000 FY  
 00000 FZ  
 00000 GA  
 00000 GB  
 00000 GC  
 00000 GD  
 00000 GE  
 00000 GF  
 00000 GG  
 00000 GH  
 00000 GI  
 00000 GJ  
 00000 GK  
 00000 GL  
 00000 GM  
 00000 GN  
 00000 GO  
 00000 GP  
 00000 GQ  
 00000 GR  
 00000 GS  
 00000 GT  
 00000 GU  
 00000 GV  
 00000 GW  
 00000 GX  
 00000 GY  
 00000 GZ  
 00000 HA  
 00000 HB  
 00000 HC  
 00000 HD  
 00000 HE  
 00000 HF  
 00000 HG  
 00000 HH  
 00000 HI  
 00000 HJ  
 00000 HK  
 00000 HL  
 00000 HM  
 00000 HN  
 00000 HO  
 00000 HP  
 00000 HQ  
 00000 HR  
 00000 HS  
 00000 HT  
 00000 HU  
 00000 HV  
 00000 HW  
 00000 HX  
 00000 HY  
 00000 HZ  
 00000 IA  
 00000 IB  
 00000 IC  
 00000 ID  
 00000 IE  
 00000 IF  
 00000 IG  
 00000 IH  
 00000 II  
 00000 IJ  
 00000 IK  
 00000 IL  
 00000 IM  
 00000 IN  
 00000 IO  
 00000 IP  
 00000 IQ  
 00000 IR  
 00000 IS  
 00000 IT  
 00000 IU  
 00000 IV  
 00000 IW  
 00000 IX  
 00000 IY  
 00000 IZ  
 00000 JA  
 00000 JB  
 00000 JC  
 00000 JD  
 00000 JE  
 00000 JF  
 00000 JG  
 00000 JH  
 00000 JI  
 00000 JJ  
 00000 JK  
 00000 JL  
 00000 JM  
 00000 JN  
 00000 JO  
 00000 JP  
 00000 JQ  
 00000 JR  
 00000 JS  
 00000 JT  
 00000 JU  
 00000 JV  
 00000 JW  
 00000 JX  
 00000 JY  
 00000 JZ  
 00000 KA  
 00000 KB  
 00000 KC  
 00000 KD  
 00000 KE  
 00000 KF  
 00000 KG  
 00000 KH  
 00000 KI  
 00000 KJ  
 00000 KK  
 00000 KL  
 00000 KM  
 00000 KN  
 00000 KO  
 00000 KP  
 00000 KQ  
 00000 KR  
 00000 KS  
 00000 KT  
 00000 KU  
 00000 KV  
 00000 KW  
 00000 KX  
 00000 KY  
 00000 KZ  
 00000 LA  
 00000 LB  
 00000 LC  
 00000 LD  
 00000 LE  
 00000 LF  
 00000 LG  
 00000 LH  
 00000 LI  
 00000 LJ  
 00000 LK  
 00000 LL  
 00000 LM  
 00000 LN  
 00000 LO  
 00000 LP  
 00000 LQ  
 00000 LR  
 00000 LS  
 00000 LT  
 00000 LU  
 00000 LV  
 00000 LW  
 00000 LX  
 00000 LY  
 00000 LZ  
 00000 MA  
 00000 MB  
 00000 MC  
 00000 MD  
 00000 ME  
 00000 MF  
 00000 MG  
 00000 MH  
 00000 MI  
 00000 MJ  
 00000 MK  
 00000 ML  
 00000 MM  
 00000 MN  
 00000 MO  
 00000 MP  
 00000 MQ  
 00000 MR  
 00000 MS  
 00000 MT  
 00000 MU  
 00000 MV  
 00000 MW  
 00000 MX  
 00000 MY  
 00000 MZ  
 00000 NA  
 00000 NB  
 00000 NC  
 00000 ND  
 00000 NE  
 00000 NF  
 00000 NG  
 00000 NH  
 00000 NI  
 00000 NJ  
 00000 NK  
 00000 NL  
 00000 NM  
 00000 NN  
 00000 NO  
 00000 NP  
 00000 NQ  
 00000 NR  
 00000 NS  
 00000 NT  
 00000 NU  
 00000 NV  
 00000 NW  
 00000 NX  
 00000 NY  
 00000 NZ  
 00000 OA  
 00000 OB  
 00000 OC  
 00000 OD  
 00000 OE  
 00000 OF  
 00000 OG  
 00000 OH  
 00000 OI  
 00000 OJ  
 00000 OK  
 00000 OL  
 00000 OM  
 00000 ON  
 00000 OO  
 00000 OP  
 00000 OQ  
 00000 OR  
 00000 OS  
 00000 OT  
 00000 OU  
 00000 OV  
 00000 OW  
 00000 OX  
 00000 OY  
 00000 OZ  
 00000 PA  
 00000 PB  
 00000 PC  
 00000 PD  
 00000 PE  
 00000 PF  
 00000 PG  
 00000 PH  
 00000 PI  
 00000 PJ  
 00000 PK  
 00000 PL  
 00000 PM  
 00000 PN  
 00000 PO  
 00000 PP  
 00000 PQ  
 00000 PR  
 00000 PS  
 00000 PT  
 00000 PU  
 00000 PV  
 00000 PW  
 00000 PX  
 00000 PY  
 00000 PZ  
 00000 QA  
 00000 QB  
 00000 QC  
 00000 QD  
 00000 QE  
 00000 QF  
 00000 QG  
 00000 QH  
 00000 QI  
 00000 QJ  
 00000 QK  
 00000 QL  
 00000 QM  
 00000 QN  
 00000 QO  
 00000 QP  
 00000 QQ  
 00000 QR  
 00000 QS  
 00000 QT  
 00000 QU  
 00000 QV  
 00000 QW  
 00000 QX  
 00000 QY  
 00000 QZ  
 00000 RA  
 00000 RB  
 00000 RC  
 00000 RD  
 00000 RE  
 00000 RF  
 00000 RG  
 00000 RH  
 00000 RI  
 00000 RJ  
 00000 RK  
 00000 RL  
 00000 RM  
 00000 RN  
 00000 RO  
 00000 RP  
 00000 RQ  
 00000 RR  
 00000 RS  
 00000 RT  
 00000 RU  
 00000 RV  
 00000 RW  
 00000 RX  
 00000 RY  
 00000 RZ  
 00000 SA  
 00000 SB  
 00000 SC  
 00000 SD  
 00000 SE  
 00000 SF  
 00000 SG  
 00000 SH  
 00000 SI  
 00000 SJ  
 00000 SK  
 00000 SL  
 00000 SM  
 00000 SN  
 00000 SO  
 00000 SP  
 00000 SQ  
 00000 SR  
 00000 SS  
 00000 ST  
 00000 SU  
 00000 SV  
 00000 SW  
 00000 SX  
 00000 SY  
 00000 SZ  
 00000 TA  
 00000 TB  
 00000 TC  
 00000 TD  
 00000 TE  
 00000 TF  
 00000 TG  
 00000 TH  
 00000 TI  
 00000 TJ  
 00000 TK  
 00000 TL  
 00000 TM  
 00000 TN  
 00000 TO  
 00000 TP  
 00000 TQ  
 00000 TR  
 00000 TS  
 00000 TT  
 00000 TU  
 00000 TV  
 00000 TW  
 00000 TX  
 00000 TY  
 00000 TZ  
 00000 UA  
 00000 UB  
 00000 UC  
 00000 UD  
 00000 UE  
 00000 UF  
 00000 UG  
 00000 UH  
 00000 UI  
 00000 UJ  
 00000 UK  
 00000 UL  
 00000 UM  
 00000 UN  
 00000 UO  
 00000 UP  
 00000 UQ  
 00000 UR  
 00000 US  
 00000 UT  
 00000 UY  
 00000 UZ  
 00000 VA  
 00000 VB  
 00000 VC  
 00000 VD  
 00000 VE  
 00000 VF  
 00000 VG  
 00000 VH  
 00000 VI  
 00000 VJ  
 00000 VK  
 00000 VL  
 00000 VM  
 00000 VN  
 00000 VO  
 00000 VP  
 00000 VQ  
 00000 VR  
 00000 VS  
 00000 VT  
 00000 VU  
 00000 VV  
 00000 VW  
 00000 VX  
 00000 VY  
 00000 VZ  
 00000 WA  
 00000 WB  
 00000 WC  
 00000 WD  
 00000 WE  
 00000 WF  
 00000 WG  
 00000 WH  
 00000 WI  
 00000 WJ  
 00000 WK  
 00000 WL  
 00000 WM  
 00000 WN  
 00000 WO  
 00000 WP  
 00000 WQ  
 00000 WR  
 00000 WS  
 00000 WT  
 00000 WU  
 00000 WV  
 00000 WW  
 00000 WX  
 00000 WY  
 00000 WZ  
 00000 XA  
 00000 XB  
 00000 XC  
 00000 XD  
 00000 XE  
 00000 XF  
 00000 XG  
 00000 XH  
 00000 XI  
 00000 XJ  
 00000 XK  
 00000 XL  
 00000 XM  
 00000 XN  
 00000 XO  
 00000 XP  
 00000 XQ  
 00000 XR  
 00000 XS  
 00000 XT  
 00000 XU  
 00000 XV  
 00000 XW  
 00000 XX  
 00000 XY  
 00000 XZ  
 00000 YA  
 00000 YB  
 00000 YC  
 00000 YD  
 00000 YE  
 00000 YF  
 00000 YG  
 00000 YH  
 00000 YI  
 00000 YJ  
 00000 YK  
 00000 YL  
 00000 YM  
 00000 YN  
 00000 YO  
 00000 YP  
 00000 YQ  
 00000 YR  
 00000 YS  
 00000 YT  
 00000 YU  
 00000 YV  
 00000 YW  
 00000 YX  
 00000 YY  
 00000 YZ  
 00000 ZA  
 00000 ZB  
 00000 ZC  
 00000 ZD  
 00000 ZE  
 00000 ZF  
 00000 ZG  
 00000 ZH  
 00000 ZI  
 00000 ZJ  
 00000 ZK  
 00000 ZL  
 00000 ZM  
 00000 ZN  
 00000 ZO  
 00000 ZP  
 00000 ZQ  
 00000 ZR  
 00000 ZS  
 00000 ZT  
 00000 ZU  
 00000 ZV  
 00000 ZW  
 00000 ZX  
 00000 ZY  
 00000 ZZ









**DIGITAL EQUIPMENT CORPORATION**  
MAYNARD, MASSACHUSETTS

**ACCESSORY LIST**

MADE BY	CHECKED	SECTION
DATE G. Schneider	DATE 8/17/72	
ENG G. Schneider	PROD BY [Signature]	ISSUED SECT.
DATE 8/17/72	DATE 8/17/72	

D	DOCUMENT
DN	DOCUMENT CHANGE NOTICE
PA	PAPER TAPE ASCII
PB	PAPER TAPE BINARY
PM	PAPER TAPE READ-IN-MODE

BY	DATE	INSTALLATION CHECK
BY	DATE	KIT CHECK

ITEM NO.	DWG NO. / PART NO.	DESCRIPTION	QUANTITY	VARIATION
1	RK05-0	Customer Print Set (B-DD-RK05-0 Sheet one only)	1	
<del>2</del>	<del>DEC-005JF-DA</del>	<del>UNSTRUCTURED PAPERS - BREAK DOWN FOR PARTS</del>	<del>1</del>	
3	DEC-00-RK05JF-DA	Maintenance Manual	1	
4	BC 11A-08	Unibus Cable 8 feet	1	
5	2200007	Head Cleaning Kit	1	
6	3010350-00	Disk Cartridge 12 Sector	1	
7	3010350-02	Disk Cartridge 16 Sector	0	
8*	A-AD-7009276-0-0	Mounting Hardware KIT	1	
9*	1209152-0-2 REF	Slide Chassis (Use set that was issued to Assy Line)	1	
		NOTE: The following items are additionally required when unit is shipped in a rack.		
10	749691-1	Shipping Bracket (Left Hand)	1	
11	749691-2	Shipping Bracket (Right Hand)	1	
12**	3611382	Drive Identification Numbers	1	
		*NOTE: If unit is shipped in a rack, Items 8 and 9 are mounted to the rack.		
		**NOTE: Attach the drive identification number set to the instruction sheet #DEC-16-(379)-1094-N573 using transparent adhesive tape. Insert sheet behind front cover of maintenance manual		
		*** NOTE: MAXIMUM TOTAL UNIBUS CABLE LENGTH = 50 FEET		

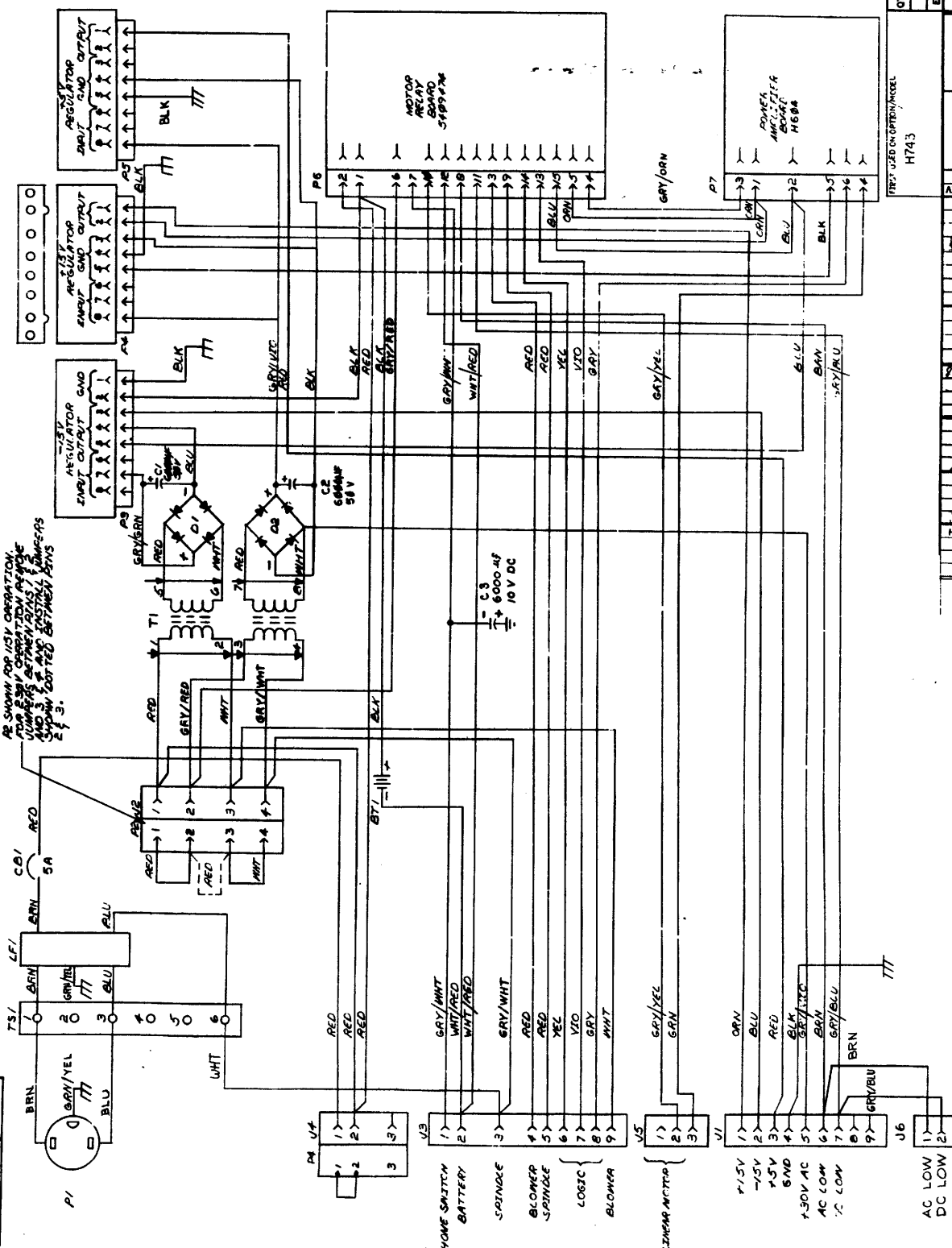
TITLE	DECpack Assembly	ASSY. NO.		SIZE CODE	AAL	NUMBER	RK05-0-17	REV.	F	ECO NO	RK05J
		SHEET 1 OF	1	DIST.							00006





6 7 8 1 2 3 4 5 6 7 8

1-2-544H(S) 2



QTY		REF DESIGNATION	DESCRIPTION	PART NO.	REV.
FIRST USED ON OPTION/MODEL H743					
PARTS LIST					
ETCH BOARD REV					
REVISIONS					
CHG	NO.	DATE	BY	REASON	
A	1	10-20-59	JENSEN	INITIAL DESIGN	
B	2	11-10-59	JENSEN	REVISED	
C	3	12-12-59	JENSEN	REVISED	
D	4	1-12-60	G. SCHNEIDER	REVISED	
E	5	3-8-60	G. SCHNEIDER	REVISED	
F	6	3-14-60	SLOAN	REVISED	
G	7	3-14-60	J. RINALDIS	REVISED	
H	8	2-14-60	S. RADOFF	REVISED	
I	9	1-10-60	S. RADOFF	REVISED	

CIRCUIT SCHEMATIC H743

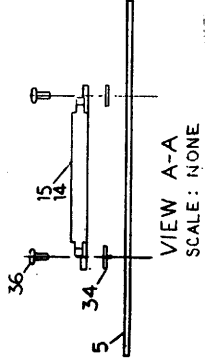
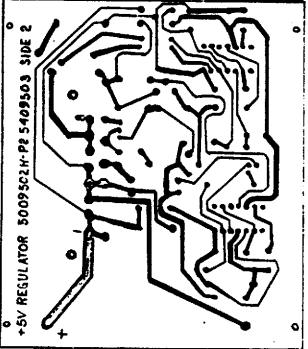
EQUIPMENT CORPORATION  
 TITLE  
 DCS H743-0-1  
 SHEET 1 OF 1

### WIRE TABLE

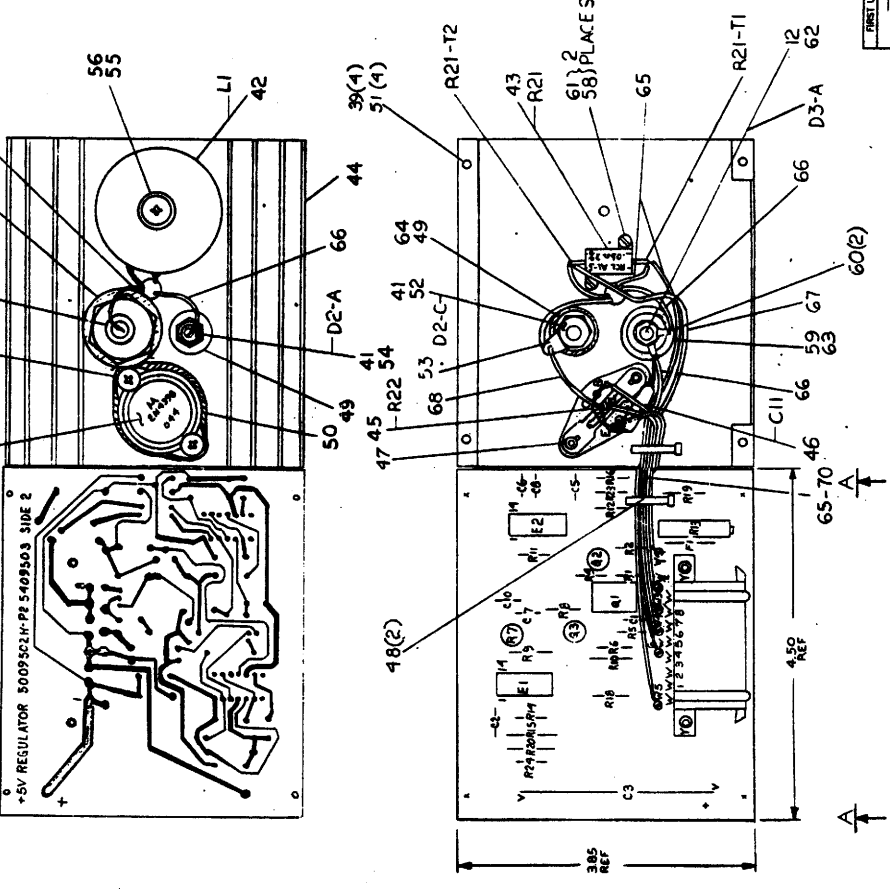
ITEM NO.	DESCRIPTION	LENGTH	STRIP LENGTH	CONNECTIONS FROM	CONNECTIONS TO
42	BLK	2 7/8	1/2"	L1	D3
43	BLK	2 7/8	1/2"	L1	R21-T2
44	VIO	2 1/4	1/2"	Q5-C	ANODE LUG
45	GRN	4 1/4	1/2"	D2 ANODE	R21-T1
46	YEL	4 7/8	1/2"	D3 CATHODE	R21-T1
47	GRY	5 1/4	1/2"	SPLIT LUG #1	Q5-E
48	VIO	5 1/4	1/2"	SPLIT LUG #2	Q5-B
49	BLU	5 1/4	1/2"	SPLIT LUG #3	Q5-C
50	GRN	5 3/4	1/2"	SPLIT LUG #4	R21-T2
51	YEL	8 1/4	1/2"	SPLIT LUG #5	ANODE LUG
52	YEL	8 1/4	1/2"	SPLIT LUG #6	R21-T1

### EXTERNAL COMPONENTS

ITEM NO.	LENGTH	DESCRIPTION	CONNECTIONS FROM	CONNECTIONS TO	POL.
45	NOTE #2	RES. 100 MWS	Q5-E	Q5-B	-
46	NOTE #3	CAP. 100UF SQ	Q5-E	D3	LUG



- ### NOTES:
- R13 IS USED FOR OUTPUT VOLTAGE ADJUSTMENT. R7 IS USED FOR OUTPUT CURRENT ADJUSTMENT. CUT LEADS OF RES. (R22) SO THERE IS 3/8" OF A LEAD LEFT ON BOTH ENDS. R22
  - CUT LEADS OF CAP (C11) SO THERE IS 1/2" OF A LEAD LEFT ON BOTH ENDS. C11
  - THERMAL COMPOUND (ITEM 31) IS TO BE APPLIED TO BOTH SIDES OF ALL THERMAL INSULATORS (ITEM 19, 50 & 63). BOTH SIDES OF EACH INSULATOR SHOULD BE COVERED, LEAVING NO VOIDS WHEN INSTALLED. CARE MUST BE EXERCISED SO THAT NO EXTRA COMPOUND INTERFERES WITH ANY ELECTRICAL CONNECTION MADE TO ANY DEVICE.
  - WHEN ASSEMBLING THE WIRES FROM THE CIRCUIT BOARD TO THE HEAT SINK, PLACE THE MODULE AGAINST THE HEAT SINK, WIRE AS SHOWN BY THE WIRE LIST AND MAKE A SERVICE LOOP AT THE CONNECTIONS ON THE HEAT SINK TO TAKE UP ANY EXCESS WIRE THAT MIGHT BE AVAILABLE.



### PARTS LIST

QTY	REF DESIGNATION	DESCRIPTION	PART NO.	ITEM NO.
1	H	ETCH BOARD REV	H	
		IN 5095	SAIWE	9009503-0-0
		2N 4398	SAIWE	9009503-0-0
		D4526	SAIWE	9009503-0-0
		2N 4441	SAIWE	9009503-0-0
		DEC 6534 D	MPS 6534	9009503-0-0
		IN 752 A	SAIWE	9009503-0-0

### SEMICONDUCTOR CONVERSION CHART

DEC NO.	EIA NO.	DEC NO.	EIA NO.
IN 5095	2N 4398	IN 752 A	2N 4441
D4526	2N 4441	DEC 6534 D	2N 4398

### REVISIONS

REV	DESCRIPTION	DATE
1	REVISED PER PLAN	11/12/52
2	CHANGE NO.	11/12/52
3	4909503-0003	11/12/52

### REVISIONS

REV	DESCRIPTION	DATE
1	REVISED PER PLAN	11/12/52
2	CHANGE NO.	11/12/52
3	4909503-0003	11/12/52

### REVISIONS

REV	DESCRIPTION	DATE
1	REVISED PER PLAN	11/12/52
2	CHANGE NO.	11/12/52
3	4909503-0003	11/12/52

### REVISIONS

REV	DESCRIPTION	DATE
1	REVISED PER PLAN	11/12/52
2	CHANGE NO.	11/12/52
3	4909503-0003	11/12/52

### REVISIONS

REV	DESCRIPTION	DATE
1	REVISED PER PLAN	11/12/52
2	CHANGE NO.	11/12/52
3	4909503-0003	11/12/52



1. R17 IS USED FOR OUTPUT VOLTAGE ADJUSTMENT. R2 IS USED FOR OUTPUT POWER ADJUSTMENT.

2. CUT LEADS OF RES. (R25) SO THERE IS 3/8" OF A LEAD LEFT AT BOTH ENDS.

3. CUT LEADS OF CAP.(C9) SO THERE IS 1/2 OF A LEAD LEFT AT BOTH ENDS.

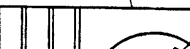
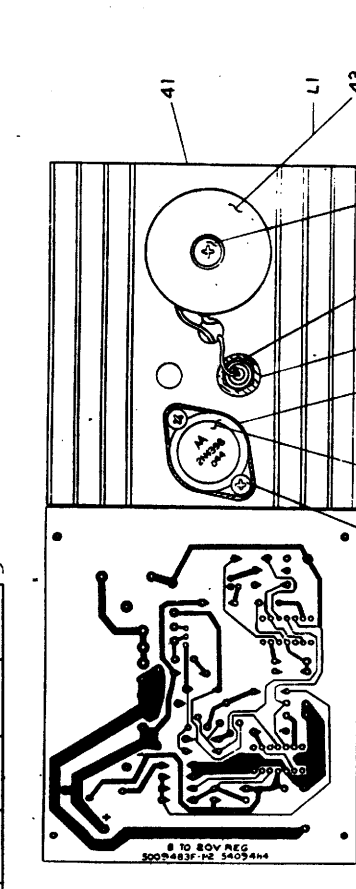
4. THERMAL COMPOUND (ITEM \*39) IS TO BE APPLIED TO BOTH SIDES OF ALL THERMAL INSULATORS (ITEM \*50+51) BOTH SIDES OF EACH INSULATOR SHOULD BE COMPLETELY COVERED. LEAVING NO VOIDS WHEN INSTALLED. CARE MUST BE EXERCISED SO THAT NO EXTRA COMPOUND INTERFERES WITH ANY ELECTRICAL CONNECTION MADE TO ANY DEVICE.

5. WHEN ASSEMBLING THE WIRES FROM THE CIRCUIT BOARD TO THE HEAT SINK, PLACE THE MODULE AGAINST THE HEAT SINK. WIRE AS SHOWN BY THE WIRE LIST AND MAKE A SERVICE LOOP AT THE CONNECTIONS ON THE HEAT SINK TO TAKE UP ANY EXCESS WIRE THAT MIGHT BE AVAILABLE.

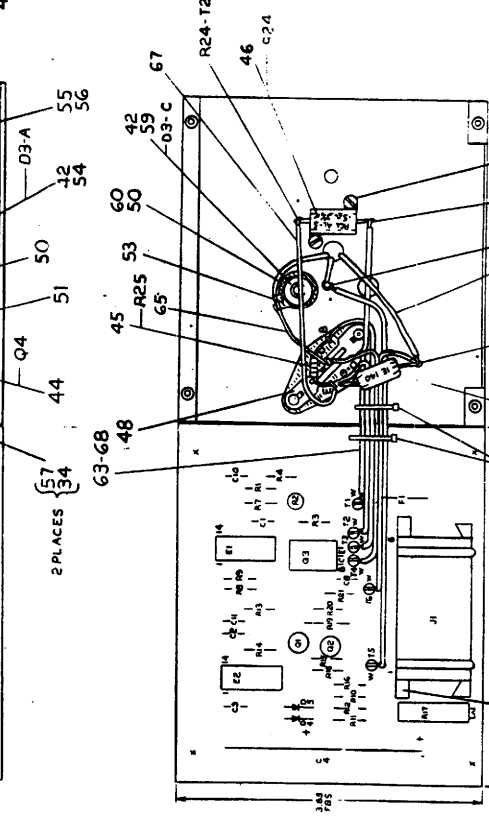
**WIRE TABLE**

ITEM NO.	DESCRIPTION	LENGTH INCHES	STRIP LENGTH X	STRIP LENGTH Y	CONNECTIONS FROM	CONNECTIONS TO
43	BLK	2 1/8	1/2	1/2	L1	Q4-E
44	BLK	2 1/8	1/2	1/2	L1	Q4-E
45	BLU	2 1/4	1/2	1/2	Q4-C	Q4-E
46	GRY	3 5/8	1/2	1/2	Q4-E	TS-1
47	GRN	4 1/2	1/2	1/2	D3-ANODE	R24-T2
48	WHT	5 7/8	1/2	1/2	SPLIT LUG #1	R24-T1
49	GRY	4 7/8	1/2	1/2	#2	Q4-E
50	VIO	5 1/8	1/2	1/2	#3	Q4-B
51	BLU	5 1/8	1/2	1/2	#4	Q4-C
52	GRN	5 1/2	1/2	1/2	#5	TS-1
53	YEL	6 7/8	1/2	1/2	SPLIT LUG #1	TS-2

SEE NOTE 5



8 TO 20V REG 500 483 F 24 54054H



SEE SECTION U-B

QTY	REF DESIGNATION	DESCRIPTION	PART NO.	ITEM NO.

**REVISIONS**

CHK	CHANGE NO	REV

DATE	BY	DESCRIPTION

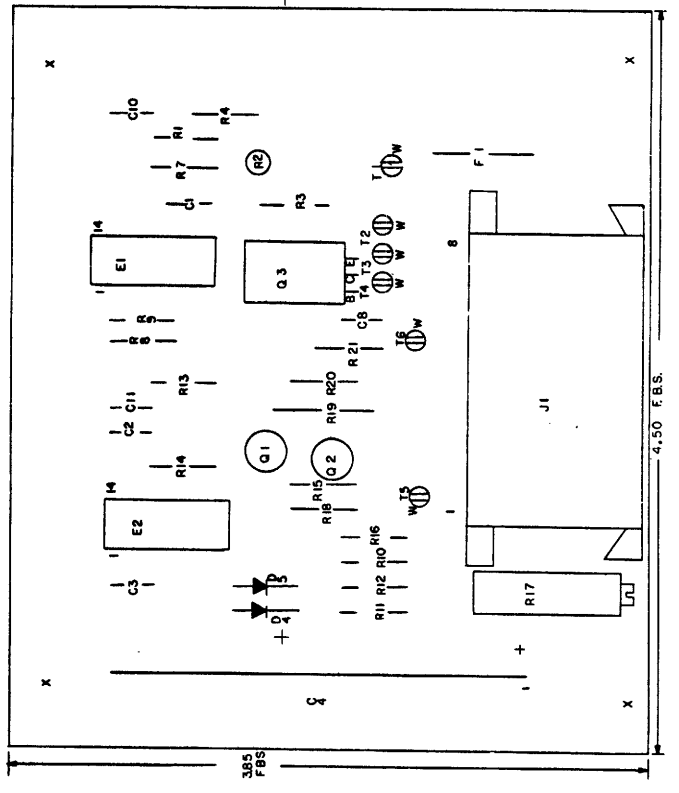
EQUIPMENT CORPORATION

8 TO 20V REGULATOR

SCALE	PROJ. NO.	DRAWING NO.

DCS 5409484-0-1

QTY	REF DESIGNATION	DESCRIPTION	SIZE/FOOT	REV.
4	A/A	WASHER LOCK SPRING	900888	15
1	A/B	WIRE AWG 18 SWG 3/16" (MHT)	900889	15
1	A/C	WIRE AWG 18 SWG 3/16" (64V)	900890	15
1	A/D	WIRE AWG 18 SWG 3/16" (VIO)	900891	15
1	A/E	WIRE AWG 18 SWG 3/16" (BLU)	900892	15
1	A/F	WIRE AWG 18 SWG 3/16" (BRN)	900893	15
1	A/G	WIRE AWG 18 SWG 3/16" (WHT)	900894	15
1	A/H	WIRE AWG 18 SWG 3/16" (GRN)	900895	15
1	A/I	WIRE AWG 18 SWG 3/16" (LVT)	900896	15
1	A/J	WIRE AWG 18 SWG 3/16" (YEL)	900897	15
1	A/K	WIRE AWG 18 SWG 3/16" (RDK)	900898	15
1	A/L	WIRE AWG 18 SWG 3/16" (PUR)	900899	15
1	A/M	WIRE AWG 18 SWG 3/16" (SIL)	900900	15
1	A/N	WIRE AWG 18 SWG 3/16" (GRY)	900901	15
1	A/O	WIRE AWG 18 SWG 3/16" (BRK)	900902	15
1	A/P	WIRE AWG 18 SWG 3/16" (BLK)	900903	15
1	A/Q	WIRE AWG 18 SWG 3/16" (SLV)	900904	15
1	A/R	WIRE AWG 18 SWG 3/16" (WHI)	900905	15
1	A/S	WIRE AWG 18 SWG 3/16" (SKN)	900906	15
1	A/T	WIRE AWG 18 SWG 3/16" (RED)	900907	15
1	A/U	WIRE AWG 18 SWG 3/16" (LGN)	900908	15
1	A/V	WIRE AWG 18 SWG 3/16" (TRG)	900909	15
1	A/W	WIRE AWG 18 SWG 3/16" (BRN)	900910	15
1	A/X	WIRE AWG 18 SWG 3/16" (GRN)	900911	15
1	A/Y	WIRE AWG 18 SWG 3/16" (WHT)	900912	15
1	A/Z	WIRE AWG 18 SWG 3/16" (LVT)	900913	15
1	A/AA	WIRE AWG 18 SWG 3/16" (GRN)	900914	15
1	A/AB	WIRE AWG 18 SWG 3/16" (WHT)	900915	15
1	A/AC	WIRE AWG 18 SWG 3/16" (LVT)	900916	15
1	A/AD	WIRE AWG 18 SWG 3/16" (GRN)	900917	15
1	A/AE	WIRE AWG 18 SWG 3/16" (WHT)	900918	15
1	A/AF	WIRE AWG 18 SWG 3/16" (LVT)	900919	15
1	A/AG	WIRE AWG 18 SWG 3/16" (GRN)	900920	15
1	A/AH	WIRE AWG 18 SWG 3/16" (WHT)	900921	15
1	A/AI	WIRE AWG 18 SWG 3/16" (LVT)	900922	15
1	A/AJ	WIRE AWG 18 SWG 3/16" (GRN)	900923	15
1	A/AK	WIRE AWG 18 SWG 3/16" (WHT)	900924	15
1	A/AL	WIRE AWG 18 SWG 3/16" (LVT)	900925	15
1	A/AM	WIRE AWG 18 SWG 3/16" (GRN)	900926	15
1	A/AN	WIRE AWG 18 SWG 3/16" (WHT)	900927	15
1	A/AO	WIRE AWG 18 SWG 3/16" (LVT)	900928	15
1	A/AQ	WIRE AWG 18 SWG 3/16" (GRN)	900929	15
1	A/AR	WIRE AWG 18 SWG 3/16" (WHT)	900930	15
1	A/AS	WIRE AWG 18 SWG 3/16" (LVT)	900931	15
1	A/AT	WIRE AWG 18 SWG 3/16" (GRN)	900932	15
1	A/AU	WIRE AWG 18 SWG 3/16" (WHT)	900933	15
1	A/AV	WIRE AWG 18 SWG 3/16" (LVT)	900934	15
1	A/AW	WIRE AWG 18 SWG 3/16" (GRN)	900935	15
1	A/AX	WIRE AWG 18 SWG 3/16" (WHT)	900936	15
1	A/AY	WIRE AWG 18 SWG 3/16" (LVT)	900937	15
1	A/AZ	WIRE AWG 18 SWG 3/16" (GRN)	900938	15
1	A/AA	WIRE AWG 18 SWG 3/16" (WHT)	900939	15
1	A/AB	WIRE AWG 18 SWG 3/16" (LVT)	900940	15
1	A/AC	WIRE AWG 18 SWG 3/16" (GRN)	900941	15
1	A/AD	WIRE AWG 18 SWG 3/16" (WHT)	900942	15
1	A/AE	WIRE AWG 18 SWG 3/16" (LVT)	900943	15
1	A/AF	WIRE AWG 18 SWG 3/16" (GRN)	900944	15
1	A/AG	WIRE AWG 18 SWG 3/16" (WHT)	900945	15
1	A/AH	WIRE AWG 18 SWG 3/16" (LVT)	900946	15
1	A/AI	WIRE AWG 18 SWG 3/16" (GRN)	900947	15
1	A/AJ	WIRE AWG 18 SWG 3/16" (WHT)	900948	15
1	A/AK	WIRE AWG 18 SWG 3/16" (LVT)	900949	15
1	A/AL	WIRE AWG 18 SWG 3/16" (GRN)	900950	15
1	A/AM	WIRE AWG 18 SWG 3/16" (WHT)	900951	15
1	A/AN	WIRE AWG 18 SWG 3/16" (LVT)	900952	15
1	A/AO	WIRE AWG 18 SWG 3/16" (GRN)	900953	15
1	A/AQ	WIRE AWG 18 SWG 3/16" (WHT)	900954	15
1	A/AR	WIRE AWG 18 SWG 3/16" (LVT)	900955	15
1	A/AS	WIRE AWG 18 SWG 3/16" (GRN)	900956	15
1	A/AT	WIRE AWG 18 SWG 3/16" (WHT)	900957	15
1	A/AU	WIRE AWG 18 SWG 3/16" (LVT)	900958	15
1	A/AV	WIRE AWG 18 SWG 3/16" (GRN)	900959	15
1	A/AW	WIRE AWG 18 SWG 3/16" (WHT)	900960	15
1	A/AX	WIRE AWG 18 SWG 3/16" (LVT)	900961	15
1	A/AY	WIRE AWG 18 SWG 3/16" (GRN)	900962	15
1	A/AZ	WIRE AWG 18 SWG 3/16" (WHT)	900963	15
1	A/AA	WIRE AWG 18 SWG 3/16" (LVT)	900964	15
1	A/AB	WIRE AWG 18 SWG 3/16" (GRN)	900965	15
1	A/AC	WIRE AWG 18 SWG 3/16" (WHT)	900966	15
1	A/AD	WIRE AWG 18 SWG 3/16" (LVT)	900967	15
1	A/AE	WIRE AWG 18 SWG 3/16" (GRN)	900968	15
1	A/AF	WIRE AWG 18 SWG 3/16" (WHT)	900969	15
1	A/AG	WIRE AWG 18 SWG 3/16" (LVT)	900970	15
1	A/AH	WIRE AWG 18 SWG 3/16" (GRN)	900971	15
1	A/AI	WIRE AWG 18 SWG 3/16" (WHT)	900972	15
1	A/AJ	WIRE AWG 18 SWG 3/16" (LVT)	900973	15
1	A/AK	WIRE AWG 18 SWG 3/16" (GRN)	900974	15
1	A/AL	WIRE AWG 18 SWG 3/16" (WHT)	900975	15
1	A/AM	WIRE AWG 18 SWG 3/16" (LVT)	900976	15
1	A/AN	WIRE AWG 18 SWG 3/16" (GRN)	900977	15
1	A/AO	WIRE AWG 18 SWG 3/16" (WHT)	900978	15
1	A/AQ	WIRE AWG 18 SWG 3/16" (LVT)	900979	15
1	A/AR	WIRE AWG 18 SWG 3/16" (GRN)	900980	15
1	A/AS	WIRE AWG 18 SWG 3/16" (WHT)	900981	15
1	A/AT	WIRE AWG 18 SWG 3/16" (LVT)	900982	15
1	A/AU	WIRE AWG 18 SWG 3/16" (GRN)	900983	15
1	A/AV	WIRE AWG 18 SWG 3/16" (WHT)	900984	15
1	A/AW	WIRE AWG 18 SWG 3/16" (LVT)	900985	15
1	A/AX	WIRE AWG 18 SWG 3/16" (GRN)	900986	15
1	A/AY	WIRE AWG 18 SWG 3/16" (WHT)	900987	15
1	A/AZ	WIRE AWG 18 SWG 3/16" (LVT)	900988	15
1	A/AA	WIRE AWG 18 SWG 3/16" (GRN)	900989	15
1	A/AB	WIRE AWG 18 SWG 3/16" (WHT)	900990	15
1	A/AC	WIRE AWG 18 SWG 3/16" (LVT)	900991	15
1	A/AD	WIRE AWG 18 SWG 3/16" (GRN)	900992	15
1	A/AE	WIRE AWG 18 SWG 3/16" (WHT)	900993	15
1	A/AF	WIRE AWG 18 SWG 3/16" (LVT)	900994	15
1	A/AG	WIRE AWG 18 SWG 3/16" (GRN)	900995	15
1	A/AH	WIRE AWG 18 SWG 3/16" (WHT)	900996	15
1	A/AI	WIRE AWG 18 SWG 3/16" (LVT)	900997	15
1	A/AJ	WIRE AWG 18 SWG 3/16" (GRN)	900998	15
1	A/AK	WIRE AWG 18 SWG 3/16" (WHT)	900999	15



8  
 7  
 6  
 5  
 4  
 3  
 2  
 1



PK25.C RUN NAME	A/P	PTI NAME	ORDER PIN	RAY - ORDER	Q	DRAW	PV OPT	RG Y	X	Z	REMARKS	8156 FLAG	PAGE 1 NO LENGTH EXCEPTIONS	RUN NUMBER
+15VDC	H	A45D2		1-A1 *						1			0-4/8	1
+15VDC	H	A46D1		1-A2 *									0-4/8	1
+15VDC	H			1										1
+5VDC BU1A	H	A06A1		1-A1 *						1			0-4/8	2
+5VDC BU1A	H	A46A2		1-A2 *									0-4/8	2
+5VDC BU1B	H			1										2
12R	H	A41A2		1-A1 *						1			2-5/8	3
12R	H	A43A1		1-A2 *									0-5/8	3
12R	H			1									2-5/8	3
AC LOW	H	A44R2		1-A1 *						1			2-7/8	4
AC LOW	H	A48F1		1-A2 *						2			1	4
AC LOW	H	A47F1		1-A3 *									0-5/8	4
AC LOW	H			1									3-7/8	4
ADDR ACCEPTED	L	A42S1		1-A1 *						1			1-2/8	5
ADDR ACCEPTED	L	A43A1		1-A2 *									0-5/8	5
ADDR ACCEPTED	L			1									1-2/8	5
ADDRESS INVALID	L	A42F1		1-A1 *						1			0-5/8	6
ADDRESS INVALID	L	A43F1		1-A2 *									0-5/8	6
ADDRESS INVALID	L			1									0-5/8	6
BLOWER MTR RELAY DR	H	A44A1		1-A1 *						1			5-5/8	7
BLOWER MTR RELAY DR	H	A46A1		1-A2 *									0-5/8	7
BLOWER MTR RELAY DR	H			1									5-5/8	7
BUS ADDR ACCEPTED	L	A42R1		1-A1 *						1			3-2/8	8
BUS ADDR ACCEPTED	L	A47R2		1-A2 *						2			1	8
BUS ADDR ACCEPTED	L	A48R2		1-A3 *									0-5/8	8
BUS ADDR ACCEPTED	L			1									4-2/8	8
BUS ADDR INVALID	L	A48T2		1-A1 *						2			1	9
BUS ADDR INVALID	L	A47T2		1-A2 *						1			0-1/8	9
BUS ADDR INVALID	L	A42A1		1-A3 *									0-5/8	9
BUS ADDR INVALID	L			1									5-1/8	9
BUS FILE READY	L	A44A1		1-A1 *						1			4-6/8	10
BUS FILE READY	L	A47A1		1-A2 *						2			1	10
BUS FILE READY	L	A47A1		1-A3 *									0-5/8	10
BUS FILE READY	L			1									5-6/8	10
BUS INDEX PUL	L	A47A1		1-A1 *						1			4-6/8	11
BUS INDEX PUL	L	A48A1		1-A2 *						2			1	11
BUS INDEX PUL	L	A47A1		1-A3 *									0-5/8	11
BUS INDEX PUL	L			1									5-6/8	11
BUS P/W/S READY	L	A42A1		1-A1 *						1			3-5/8	12
BUS P/W/S READY	L	A47A2		1-A2 *						2			1	12
BUS P/W/S READY	L	A44A2		1-A3 *									0-5/8	12
BUS P/W/S READY	L			1									4-5/8	12

PK25.C RUN NAME	A/P	PTI NAME	ORDER PIN	RAY - ORDER	Q	DRAW	PV OPT	RG Y	X	Z	REMARKS	8156 FLAG	PAGE 2 NO LENGTH EXCEPTIONS	RUN NUMBER
BUS SECTOR ADDR	L	A42A1		1-A1 *						1			4-7/8	13
BUS SECTOR ADDR	L	A48A1		1-A2 *						2			1	13
BUS SECTOR ADDR	L	A47A1		1-A3 *									0-5/8	13
BUS SECTOR ADDR	L			1									5-7/8	13
BUS SECTOR ADDR 1	L	A42A1		1-A1 *						1			3-5/8	14
BUS SECTOR ADDR 1	L	A47A2		1-A2 *						2			1	14
BUS SECTOR ADDR 1	L	A48A2		1-A3 *									0-5/8	14
BUS SECTOR ADDR 1	L			1									4-5/8	14
BUS SECTOR ADDR 2	L	A42A1		1-A1 *						1			4-1/8	15
BUS SECTOR ADDR 2	L	A47A2		1-A2 *						2			1	15
BUS SECTOR ADDR 2	L	A48A2		1-A3 *									0-5/8	15
BUS SECTOR ADDR 2	L			1									5-1/8	15
BUS SECTOR ADDR 3	L	A42A1		1-A1 *						1			4-1/8	16
BUS SECTOR ADDR 3	L	A47A1		1-A2 *						2			1	16
BUS SECTOR ADDR 3	L	A48A1		1-A3 *									0-5/8	16
BUS SECTOR ADDR 3	L			1									5-1/8	16
BUS SECTOR PULSE	L	A42F1		1-A1 *						1			5-2/8	17
BUS SECTOR PULSE	L	A48A2		1-A2 *						2			1	17
BUS SECTOR PULSE	L	A47A2		1-A3 *									0-5/8	17
BUS SECTOR PULSE	L			1									6-2/8	17
BUS SEEK INCOMPLETE	L	A42A1		1-A1 *						1			3-3/8	18
BUS SEEK INCOMPLETE	L	A47A2		1-A2 *						2			1	18
BUS SEEK INCOMPLETE	L	A48A2		1-A3 *									0-5/8	18
BUS SEEK INCOMPLETE	L			1									4-3/8	18
BUS WR PROTECT STATUS	H	A44A1		1-A1 *						1			2-3/8	19
BUS WR PROTECT STATUS	H	A47A1		1-A2 *						2			1	19
BUS WR PROTECT STATUS	H	A48A1		1-A3 *									0-5/8	19
BUS WR PROTECT STATUS	H			1									3-3/8	19
BUS WRITE CK	H	A44A1		1-A1 *						1			2-3/8	20
BUS WRITE CK	H	A47A1		1-A2 *						2			1	20
BUS WRITE CK	H	A48A1		1-A3 *									0-5/8	20
BUS WRITE CK	H			1									3-3/8	20
COS POSITION	H	A45A1		1-A1 *						1			1-5/8	21
COS POSITION	H	A46A1		1-A2 *									0-5/8	21
COS POSITION	H			1									1-5/8	21
COUNT PULSE FWD	H	A45A1		1-A1 *						1			5-1/8	22
COUNT PULSE FWD	H	A46A1		1-A2 *									0-5/8	22
COUNT PULSE FWD	H			1									5-1/8	22
COUNT PULSE REV	H	A45C1		1-A1 *						1			6-3/8	23
COUNT PULSE REV	H	A46F1		1-A2 *									0-5/8	23
COUNT PULSE REV	H			1									6-3/8	23
CYC ADDR A	L	A47A1		1-A1 *						2			1	24
CYC ADDR B	L	A48A1		1-A2 *						1			4-4/8	24
CYC ADDR C	L	A48A1		1-A3 *									0-5/8	24
CYC ADDR D	L			1									5-4/8	24



RPAS.C RUN NAME	A/P	WPP2RR.V34(62)-1 PIN NAME	ORDER PIN	31-JUL-75 RAY = ORDER	Q	DPAW OPT	RV RG Y	X	Z	REMARKS	2-JUN-76	8156 NC FLAG	PAGE 9 LENGTH EXCEPTIONS	RUN NUMBER
SELECT 3	L	A08L2		1-01 *			D05-3		2					91
SELECT 3	L	A07L2		1-02 *			D05-3		1			1		91
SELECT 3	L	A02T2		1-03 *			D05-3		1			5-7/8		91
SELECT 3	L			1								6-7/8		91
SELECT 4	L	A08M2		1-01 *			D05-3		2					92
SELECT 4	L	A07M2		1-02 *			D05-3		1			1		92
SELECT 4	L	A02H2		1-03 *			D05-3		1			5		92
SELECT 4	L			1								6-8/8		92
SELECT/READY	L	A01H2		1-01 *			D05-1		1					93
SELECT/READY	L	A04V1		1-02 *					2			2-3/8		93
SELECT/READY	L	A02H1		1-03 *			D05-1		1			2-2/8		93
SELECT/READY	L			1								4-5/8		93
SELECTED READ GATE	H	A01R1		1-01 *			D05-9		1					94
SELECTED READ GATE	H	A02P2		1-02 *			D05-9		1			1-3/8		94
SELECTED READ GATE	H			1								1-3/8		94
SELECTED WRITE GATE	H	A01V1		1-01 *			D05-1		1			1-2		95
SELECTED WRITE GATE	H	A02V2		1-02 *			D05-1		1			1-2/8		95
SELECTED WRITE GATE	H			1								1-2/8		95
SET UNSAFE	L	A01U2		1-01 *			D05-1		1			2-2/8		96
SET UNSAFE	L	A04A1		1-02 *			D05-1		1			2-2/8		96
SET UNSAFE	L			1								2-2/8		96
SIN POSITION	H	A05M1		1-01 *			D05-9		1			2-5/8		97
SIN POSITION	H	A06M1		1-02 *			D05-9		1			2-5/8		97
SIN POSITION	H			1								2-5/8		97
STROBE	L	A02V1		1-01 *			D05-2		1			4-1/8		98
STROBE	L	A07H1		1-02 *			D05-2		2			1		98
STROBE	L	A08H1		1-03 *			D05-2		1			5-1/8		98
STROBE	L			1								5-1/8		98
UNSAFE	L	A01U2		1-01 *			D05-1		1			2-5/8		99
UNSAFE	L	A04V2		1-02 *			D05-1		1			2-5/8		99
UNSAFE	L			1								2-5/8		99
WRITE DATA + CLK	H	A01J1		1-01 *			D05-1		1			3-7/8		100
WRITE DATA + CLK	H	A07P2		1-02 *			D05-1		2			1		100
WRITE DATA + CLK	H	A08P2		1-03 *			D05-1		1			4-7/8		100
WRITE DATA + CLK	H			1								4-7/8		100
WRITE GATE	L	A01J2		1-01 *			D05-1		1			4-6/8		101
WRITE GATE	L	A07L2		1-02 *			D05-1		2			1		101
WRITE GATE	L	A08L2		1-03 *			D05-1		1			5-6/8		101
WRITE GATE	L			1								5-6/8		101
WRITE PROTECT SET	L	A02S1		1-01 *			D05-3		1			3-3/8		102
WRITE PROTECT SET	L	A07R2		1-02 *			D05-3		2			1		102
WRITE PROTECT SET	L	A08R2		1-03 *			D05-3		1			4-3/8		102
WRITE PROTECT SET	L			1								4-3/8		102

RPAS.C RUN NAME	A/P	WPP2RR.V34(62)-1 PIN NAME	ORDER PIN	31-JUL-75 RAY = ORDER	Q	DPAW OPT	RV RG Y	X	Z	REMARKS	2-JUN-76	8156 NC FLAG	PAGE 10 LENGTH EXCEPTIONS	RUN NUMBER
WRITE SA OFF	L	A06M1		1-01 *			D05-7		1				3-3/8	103
WRITE SA OFF	L	A04F1		1-02 *			D05-7		1			3-1/8		103
WRITE SA OFF	L			1								3-1/8		103
WRITE SA ON	L	A06M1		1-01 *			D05-7		1			3-5/8		104
WRITE SA ON	L	A04F1		1-02 *			D05-7		1			3-3/8		104
WRITE SA ON	L			1								3-3/8		104
WRITING IND	H	A02H1		1-01 *			D05-5		1			3-2/8		105
WRITING IND	H	A06F1		1-02 *			D05-5		1			3-2/8		105
WRITING IND	H			1								3-2/8		105

PARTS, C RUN NAME	A/P	PT NAME	ORDER PIN	RAY - ORDER	Q	DRAW	RV	RG	Y	X	Z	REMARKS	2=Jun-76	0:5b	PAGE 5	EXCEPTIONS	RUN NUMBER
GND 26		A06C2		1-21 *							1					2-1/8	47
GND 26		A06T1		1-22 *							2					1-5/8	47
GND 26		A06C2		1-23 *			025-9				1					0-4/8	47
GND 26		A06C1		1-24 *			025-9				2					0-4/8	47
GND 26		A06E1		1-25 *			025-9				1					0-5/8	47
GND 26		A06J1		1-26 *			025-9				2					1-4/8	47
GND 26		A06T1		1-27 *			025-9				1					0-1/8	47
GND 26		A06S1		1-28 *			025-9										47
GND 26				1												7-0/8	47
GND 27		A07R2		1-21 *							1					0-1/8	48
GND 27		A07C2		1-22 *							2					1-5/8	48
GND 27		A07N1		1-23 *							1					0-1/8	48
GND 27		A07F1		1-24 *							2					0-1/8	48
GND 27		A07R1		1-25 *							1					0-1/8	48
GND 27		A07S1		1-26 *							2					0-1/8	48
GND 27		A07T1		1-27 *							1					0-4/8	48
GND 27		A07V1		1-28 *							2					1-3/8	48
GND 27		A07R2		1-29 *							1					0-1/8	48
GND 27		A07C2		1-30 *							2					0-1/8	48
GND 27		A07D1		1-31 *							1					0-1/8	48
GND 27		A07E1		1-32 *							2					1-7/8	48
GND 27		A07F1		1-33 *							1					0-4/8	48
GND 27		A07V2		1-34 *													48
GND 27				1												6-7/8	48
GND 28		A08R2		1-21 *							1					0-1/8	49
GND 28		A08C2		1-22 *							2					1-5/8	49
GND 28		A08N1		1-23 *							1					0-1/8	49
GND 28		A08P1		1-24 *							2					0-1/8	49
GND 28		A08R1		1-25 *							1					0-1/8	49
GND 28		A08S1		1-26 *							2					0-1/8	49
GND 28		A08T1		1-27 *							1					0-4/8	49
GND 28		A08V1		1-28 *							2					1-3/8	49
GND 28		A08R2		1-29 *							1					0-1/8	49
GND 28		A08C2		1-30 *							2					0-1/8	49
GND 28		A08D1		1-31 *							1					0-1/8	49
GND 28		A08E1		1-32 *							2					1-7/8	49
GND 28		A08F1		1-33 *							1					0-4/8	49
GND 28		A08V2		1-34 *													49
GND 28				1												6-7/8	49
GND STROBE	L	A02F1		1-21 *			025-5				1					1-1/8	50
GND STROBE	L	A03D1		1-22 *			025-5										50
GND STROBE	L			1												1-1/8	50
HEAD SELECT	L	A01P1		1-21 *			025-1				1					5-2/8	51
HEAD SELECT	L	A07M2		1-22 *			025-1				2					1	51
HEAD SELECT	L	A08M2		1-23 *			025-1										51
HEAD SELECT	L			1												6-2/8	51
HIGH DENSITY	L	A01P2		1-21 *			025-4				1					4-3/8	52
HIGH DENSITY	L	A07P2		1-22 *			025-4				2					1	52
HIGH DENSITY	L	A06D2		1-23 *			025-4										52
HIGH DENSITY	L			1												5-3/8	52

PARTS, C RUN NAME	A/P	PT NAME	ORDER PIN	RAY - ORDER	Q	DRAW	RV	RG	Y	X	Z	REMARKS	2=Jun-76	0:5b	PAGE 6	EXCEPTIONS	RUN NUMBER
HOME	L	A04R1		1-21 *			025-7				2					2-1/8	53
HOME	L	A03R1		1-22 *			025-7				1					2-3/8	53
HOME	L	A06F1		1-23 *			025-7									3-4/8	53
HOME	L			1													53
INDEX PULSE	L	A02F2		1-21 *			025-3				1					1-4/8	54
INDEX PULSE	L	A04J1		1-22 *			025-3										54
INDEX PULSE	L			1												1-4/8	54
INDEX/SECTOR	L	A02D1		1-21 *			025-5				1					1-7/8	55
INDEX/SECTOR	L	A04M2		1-22 *			025-5										55
INDEX/SECTOR	L			1												1-7/8	55
INNER LIMIT	H	A05A1		1-21 *			025-2				1					3-3/8	56
INNER LIMIT	H	A03H1		1-22 *			025-2				2					2-3/8	56
INNER LIMIT	H	A02J1		1-23 *			025-2										56
INNER LIMIT	H			1												5-6/8	56
INTERLOCK	L	A04H1		1-21 *			025-7				1					1-7/8	57
INTERLOCK	L	A06P1		1-22 *			025-7										57
INTERLOCK	L			1												1-7/8	57
LIMIT	H	A05B1		1-21 *			025-9				1					3-3/8	58
LIMIT	H	A06H1		1-22 *			025-9										58
LIMIT	H			1												3-3/8	58
LOAD HEADS	L	A03C1		1-21 *			025-6				1					1	59
LOAD HEADS	L	A04C1		1-22 *			025-6										59
LOAD HEADS	L			1												1-0/8	59
LOAD IND	H	A03I1		1-21 *			025-4				1					1-7/8	60
LOAD IND	H	A04A1		1-22 *			025-4										60
LOAD IND	H			1												1-7/8	60
LOAD SW	L	A06F1		1-21 *			025-7				1					3-3/8	61
LOAD SW	L	A04D1		1-22 *			025-7										61
LOAD SW	L			1												3-3/8	61
MOVE	L	A03I1		1-21 *			025-2				1					4-1/8	62
MOVE	L	A02P1		1-22 *			025-2										62
MOVE	L			1												4-1/8	62
NO PROTECT	L	A01N2		1-21 *			025-1				1					3-5/8	63
NO PROTECT	L	A04A1		1-22 *			025-1										63
NO PROTECT	L			1												3-5/8	63
ODD DRIVE	L	A02J2		1-21 *							1					3-3/8	64
ODD DRIVE	L	A03F2		1-22 *													64
ODD DRIVE	L			1												3-3/8	64
ON	L	A02A1		1-21 *			025-5				1					2-1/8	65
ON	L	A03M1		1-22 *			025-5										65
ON	L			1												2-1/8	65