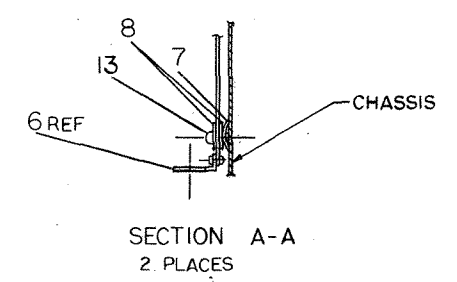
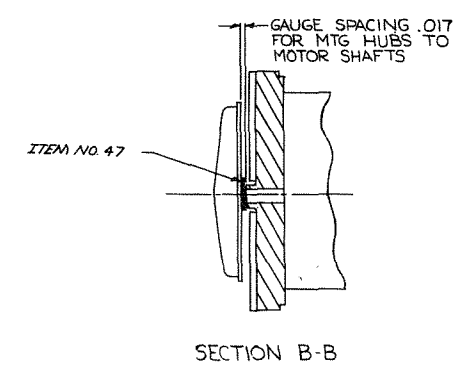
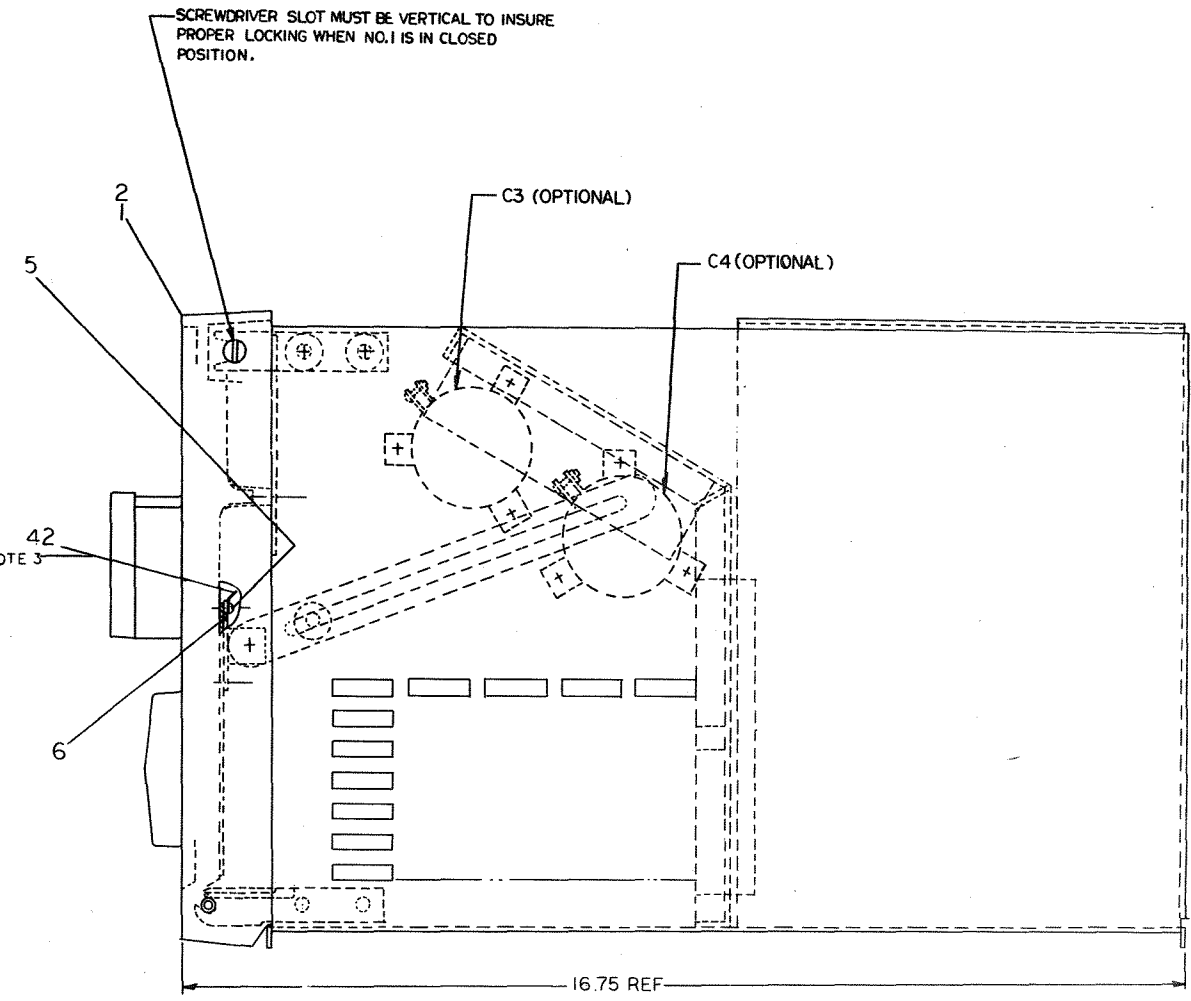
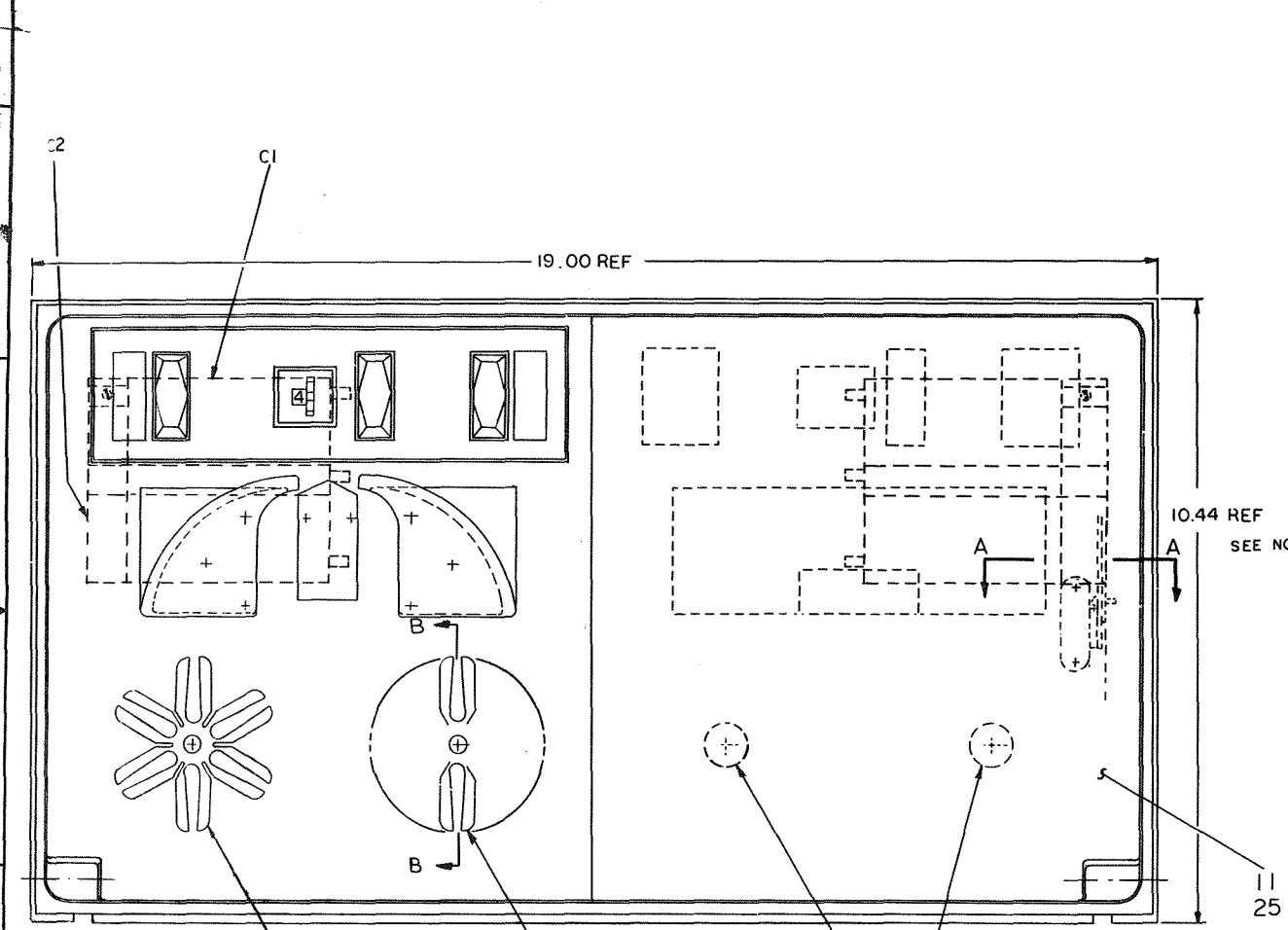


**TU56
DECtape transport
engineering drawings**

LEGEND	
NUMBER	VARIATION
TU56-H	AS SHOWN (1/2 UNIT)
TU56	DOUBLE UNIT
TU56-C	DOUBLE UNIT
TU56-HC	AS SHOWN (1/2 UNIT)
TU56-M	DOUBLE UNIT
TU56-MC	DOUBLE UNIT
TU56-MD	AS SHOWN (1/2 UNIT)
TU56-MH	AS SHOWN (1/2 UNIT)
TU56-MJ	AS SHOWN (1/2 UNIT)
TU56-MR	DOUBLE UNIT

NOTES:
 1 FOR DRAWING INDEX LIST REFER TO DRAWING D-DI-TU56-0-1
 2 ITEMS 34 & 37 ARE TO BE USED FOR MTG OF UNIT ASSY IN H950 CABINET. ITEM 35 TO BE USED FOR MTG IN TUBULAR STYLE CAB
 3 GROUND WIRE WILL BE DRESSED WITH WIRES TO MOTOR #4 AND RUN FROM LUG ON LOGIC MTG BAR TO ITEM 42.



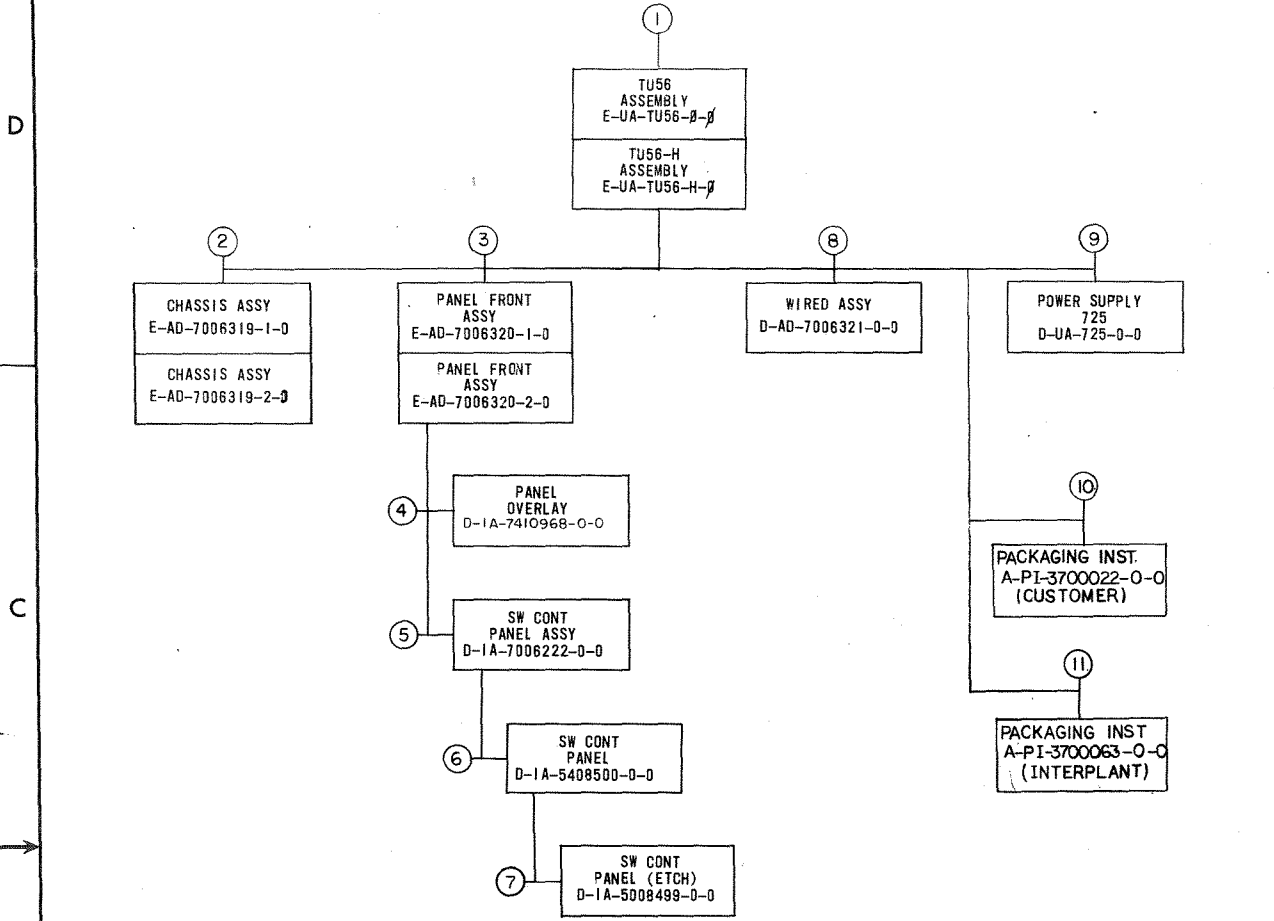
REV.	DESCRIPTION	DATE	BY	CHKD.
1	TU56-0002E	1-22-70		
2	TU56-0002E	1-22-70		
3	TU56-0002E	1-22-70		
4	TU56-0002E	1-22-70		
5	TU56-0002E	1-22-70		
6	TU56-0002E	1-22-70		
7	TU56-0002E	1-22-70		
8	TU56-0002E	1-22-70		
9	TU56-0002E	1-22-70		
10	TU56-0002E	1-22-70		
11	TU56-0002E	1-22-70		
12	TU56-0002E	1-22-70		
13	TU56-0002E	1-22-70		
14	TU56-0002E	1-22-70		
15	TU56-0002E	1-22-70		
16	TU56-0002E	1-22-70		
17	TU56-0002E	1-22-70		
18	TU56-0002E	1-22-70		
19	TU56-0002E	1-22-70		
20	TU56-0002E	1-22-70		
21	TU56-0002E	1-22-70		
22	TU56-0002E	1-22-70		
23	TU56-0002E	1-22-70		
24	TU56-0002E	1-22-70		
25	TU56-0002E	1-22-70		
26	TU56-0002E	1-22-70		
27	TU56-0002E	1-22-70		
28	TU56-0002E	1-22-70		
29	TU56-0002E	1-22-70		
30	TU56-0002E	1-22-70		
31	TU56-0002E	1-22-70		
32	TU56-0002E	1-22-70		
33	TU56-0002E	1-22-70		
34	TU56-0002E	1-22-70		
35	TU56-0002E	1-22-70		
36	TU56-0002E	1-22-70		
37	TU56-0002E	1-22-70		
38	TU56-0002E	1-22-70		
39	TU56-0002E	1-22-70		
40	TU56-0002E	1-22-70		
41	TU56-0002E	1-22-70		
42	TU56-0002E	1-22-70		
43	TU56-0002E	1-22-70		
44	TU56-0002E	1-22-70		
45	TU56-0002E	1-22-70		
46	TU56-0002E	1-22-70		
47	TU56-0002E	1-22-70		
48	TU56-0002E	1-22-70		
49	TU56-0002E	1-22-70		
50	TU56-0002E	1-22-70		

FIRST USED ON OPTION/MODEL		QTY.	DESCRIPTION	PART NO.	ITEM NO.
TU56-H					
UNLESS OTHERWISE SPECIFIED					
DIMENSIONS IN INCHES					
TOLERANCES					
DECIMALS					
XXX = ± .005					
XX = ± .02					
X = ± .1					
FINISH					
REMOVE BURRS AND BREAK SHARP CORNERS					
MATERIAL					
EQUIPMENT CORPORATION					
TU56 ASSEMBLY					
A-M-L-TU56-H					
TU56-0-0					

DIGITAL EQUIPMENT CORPORATION MAYNARD, MASSACHUSETTS PARTS LIST				QUANTITY / VARIATION											
MADE BY KEN GULICK		CHECKED D. HEALEY		SECTION		TU56-H	TU56	TU56-M	TU56-MR	TU56-HC	TU56-C	TU56-MD	TU56-MC	TU56-MH	TU56-MJ
DATE 8/6/69		DATE 8/18/69		1											
ENG C. VALLIANT		PROD C. TOMPKINS		ISSUED SECT.											
DATE 8/26/69		DATE 8/26/69		1											
ITEM NO.	DWG NO. / PART NO.	DESCRIPTION				TU56-H	TU56	TU56-M	TU56-MR	TU56-HC	TU56-C	TU56-MD	TU56-MC	TU56-MH	TU56-MJ
1	E-AD-7006320-1-0	PANEL FRONT ASSEMBLY				1	-	-	-	1	1	1	1	1	1
2	E-AD-7006320-2-0	PANEL FRONT ASSEMBLY				-	1	1	1	1	1	1	1	1	1
3	E-AD-7006319-1-0	CHASSIS ASSEMBLY				1	-	-	-	1	1	1	1	1	1
4	E-AD-7006319-2-0	CHASSIS ASSEMBLY				-	1	1	1	1	1	1	1	1	1
5	9006070-1	SCR PAN 10-32 X 3/8 LG SST				4	4	4	4	4	4	4	4	4	4
6	1209600	LID SUPPORT #43067 CHANDLER & FARQUHAR				2	2	2	2	2	2	2	2	2	2
7	9008135	WASH CURVED #U250-0075 ASSOC SPR				2	2	2	2	2	2	2	2	2	2
8	9008146	WASH FLAT .630.D.X.23I.D.X.048 THK SST				4	4	4	4	4	4	4	4	4	4
9	D-AD-7006321-0-0	WIRED ASSY TU56				1	1	1	1	1	1	1	1	1	1
10	9006075-1	SCR PHL HD PAN #10-32 X 3/4 LG SST				2	2	2	2	2	2	2	2	2	2
11	9006565	NUT KEPS #10-32				6	2	2	2	6	2	6	2	6	6
12	D-UA-725-0-0	POWER SUPPLY 725 +				1	1	1	1	1	1	1	1	1	1
13	9006021-1	SCR PHL HD PAN 6-32 X 5/16 LG SST				5	5	5	5	5	5	5	5	5	5
14	9007651	WASH EXT TOOTH #6 HOLE				3	3	3	3	3	3	3	3	3	3
15	9007917	CONN SOLDERLESS #50902 ARKLESS				32	64	64	64	32	64	32	64	32	32
16	9007193	CONN SOLDERLESS #3000541B				3	6	6	6	3	6	3	6	3	3
17	9107360-55	WIRE #18 AWG STRD TEFLON INS (GRN)				AR	AR	AR	AR	AR	AR	AR	AR	AR	AR
18	9107360-33	WIRE #18 AWG STRD TEFLON INS (ORN)				AR	AR	AR	AR	AR	AR	AR	AR	AR	AR
19	9107360-48	WIRE #18 AWG STRD TEFLON INS (BLU)				AR	AR	AR	AR	AR	AR	AR	AR	AR	AR
20	9107360-00	WIRE #18 AWG STRD TEFLON INS (BLK)				AR	AR	A/R	A/R	AR	AR	AR	AR	A/R	A/R
21	9107360-66	WIRE #18 AWG STRD TEFLON INS (BLU)				AR	AR								
22	9107360-22	WIRE #18 AWG STRD TEFLON INS (RED)				AR	AR								
TITLE TU56 ASSEMBLY				ASSY NO. E-UA-TU56-0-0		SIZE CODE A PL		NUMBER TU56-0-0		REV TS		ECO NO. TU56-00083			
SHEET 1 OF 3						DIST.									

DIGITAL EQUIPMENT CORPORATION MAYNARD, MASSACHUSETTS PARTS LIST				QUANTITY / VARIATION											
MADE BY KEN GULICK		CHECKED D. HEALEY		SECTION		TU56-H	TU56	TU56-M	TU56-MR	TU56-HC	TU56-C	TU56-MD	TU56-MC	TU56-MH	TU56-MJ
DATE 8/6/71		DATE 8/19/71		1											
ENG C. VALLIANT		PROD E. R. TOMPKINS		ISSUED SECT.											
DATE 8/26/69		DATE 8/26/69		1											
ITEM NO.	DWG NO. / PART NO.	DESCRIPTION				TU56-H	TU56	TU56-M	TU56-MR	TU56-HC	TU56-C	TU56-MD	TU56-MC	TU56-MH	TU56-MJ
23	9007430-56	WIRE #18 AWG STRD TEF INS BLU/GRN				AR	AR	AR	AR	AR	AR	AR	AR	AR	AR
24	9007031	TIE WRAP #30T-10 PANDUIT				AR	AR	AR	AR	AR	AR	AR	AR	AR	AR
25	D-IA-7407534-0-0	COVER PLATE - HALF				1	-	-	-	1	1	1	1	1	1
26	C-IA-7405152-1-0	INFO CABLE				1	1	1	1	1	1	1	1	1	1
27	D-IA-7006223-0-0	INTERCONNECTION CABLE				1	1	1	1	1	1	1	1	1	1
28	D-UA-BC02X-3-0	CABLE RIBBON M908-M908				1	1	1	1	1	1	1	1	1	1
29	7006697	TU56 MOTOR CONNECTOR CABLE				1	1	1	1	1	1	1	1	1	1
30	1209351-09	MATE-N-LOCK SOCKET HOUSING (9 PIN)				1	2	2	2	1	2	1	2	1	1
31	7006695	TU56 CARD CONNECTOR CABLE (R)				0	1	1	1	1	1	1	1	1	1
*	D-IA-7006412-0-0	OPTION CABLE TU56				1	1	1	1	1	1	1	1	1	1
32	7006696	TU56 CARD CONNECTOR CABLE (L)				1	1	1	1	1	1	1	1	1	1
33	1209378	PIN, CONNECTOR				8	16	16	16	8	16	8	16	8	8
34**	C-IA-7408007-0-0	BRACKET, RT, ANGLE SUPPORT				2	2	2	2	2	2	2	2	2	2
35**	E-IA-7408009-0-0	SPACER, MTG BRACKET				1	1	1	1	1	1	1	1	1	1
36**	C-MD-7408322-0-0	SPACER BLOCK				2	2	2	2	2	2	2	2	2	2
37**	C-MD-7408321-0-0	MOUNTING BRACKET				1	1	1	1	1	1	1	1	1	1
38	9008340-0	DEKLAZE PVC HARNESS CLASP (DK 1/2-375F)				2	2	2	2	2	2	2	2	2	2
39	9008341-0	DEKLAZE PVC HARNESS CLASP (DK -188F)				2	2	2	2	2	2	2	2	2	2
40	7006981-0-0	TU56 WIRING HARNESS				1	1	1	1	1	1	1	1	1	1
41	9007016	GROMMET				2	2	2	2	2	2	2	2	2	2
42	9008150	LUG #10 COPPER, TIN PLATED				1	1	1	1	1	1	1	1	1	1
REF	E-AD-7008487-2	TABLE TOP COVER ASSY. (TDCOV KIT)													
TITLE TU56 ASSEMBLY				ASSY NO. E-UA-TU56-0-0		SIZE CODE A PL		NUMBER TU56-0-0		REV T		ECO NO.			
SHEET 2 OF 3						DIST.									

This drawing and specifications, herein, are the property of Digital Equipment Corporation and shall not be reproduced or copied or used in whole or in part as the basis for the manufacture or sale of items without written permission.



MECHANICAL				ELECTRICAL			
FIND NO.	DESCRIPTION	PART NO.	PROD	CUST	F	C	DEPT USAGE
1.	TU56 ASSEMBLY	D-UA-TU56-0-0					
	TU56 ASSEMBLY	A-PL-TU56-0-0					
	CABLE RIBBON M978-M978	D-UA-BC82X-3-0					
	HALF COVER PLATE (TU56-H)	D-IA-7407534-0-0					
	INFO CONN	C-IA-7405152-1-0					
	INTERCONNECTION CABLE TU56	C-IA-7006223-0-0					
	OPTIONAL CABLE TU56	D-IA-7006412-0-0					
	MOUNTING BRACKET	C-MD-7408321-0-0					
	SPACER BLOCK	C-MD-7408322-0-0					
	WIRING HARNESS	E-IA-7006981-0-0					
	SHIPPING BRACKET	C-IA-7408211-0-0					
	UL REQUIREMENTS	A-SP-7665118-0-0					
2.	CHASSIS ASSY (TU56)	E-AD-7006319-1-0					
	CHASSIS ASSY (TU56-H)	E-AD-7006319-2-0					
	SCREEN FAN	C-MD-7404881-0-0					
	CHASSIS ASSY (PL)(TU56)	A-PL-7006319-1-0					
	CHASSIS ASSY (PL)(TU56-H)	A-PL-7006319-2-0					
	CHASSIS	E-IA-7407391-0-0					
	LOCK, PANEL	C-MD-7407399-0-0					
3.	PANEL FRONT ASSY (TU56)	E-AD-7006320-1-0					
	PANEL FRONT ASSY (TU56-H)	E-AD-7006320-2-0					
	PANEL FRONT ASSY (PL)(TU56)	A-PL-7006320-1-0					
	PANEL FRONT ASSY (PL)(TU56-H)	A-PL-7006320-2-0					
	PANEL, MTG	E-MD-7407595-0-0					
	TAPE GUIDE (R.H.)	C-MD-7407283-1-0					
	TAPE GUIDE (L.H.)	C-MD-7407283-2-0					
	COVER PLATE (R.H.)	C-MD-7407282-1-0					
	COVER PLATE (L.H.)	C-MD-7407282-2-0					
	WEAR PLATE (R.H.)	B-MD-7405114-1-0					
	WEAR PLATE (L.H.)	B-MD-7405114-2-0					
	REAR CHECK TAPE GUIDE (L.H.)	C-MD-7405136-1-0					
	REAR CHECK TAPE GUIDE (R.H.)	C-MD-7405136-2-0					
	PIN, LOCK	B-MD-7407400-0-0					
	HUB ASSY 6PT CONTACT	C-IA-7407390-0-0					
	HUB GAUGE	C-IA-7408010-0-0					
	GUARD PLATE	C-MI-7408287-0-0					
4.	PANEL OVERLAY	D-IA-7410968-0-0					
	SILK SCREEN (WHITE)	C-SS-7410968-0-1					
	SILK SCREEN (BLACK)	C-SS-7410968-0-2					
5.	SWITCH CONTROL PANEL ASSY	D-IA-7006222-0-0					
6.	SWITCH CONTROL PANEL	D-IA-5408500-0-0					
7.	SWITCH CONTROL PANEL (ETCH)	D-IA-5008499-0-0					
8.	WIRED ASSY	D-AD-7006321-0-0					
	WIRED ASSY TU56 (PL)	A-PL-7006321-0-0					
	MTG BAR (5 BLOCKS) TU56	C-IA-7407393-0-0					
9.	POWER SUPPLY 725	D-UA-725-0-0					
	POWER SUPPLY 725 (PL)	A-PL-725-0-0					


CHK	CHANGE NO.	REV
✓	TU56-00015	A
✓	TU56-00022	B
✓	TU56-00032	C
✓	TU56-00037	E
✓	TU56-00035	D
✓	TU56-00050	F
✓	TU56-00052	H
✓	TU56-00071	L
✓	TU56-00080	R
✓	TU56-00076	N
✓	TU56-00077	P
✓	TU56-00078	Q
✓	TU56-00079	S
✓	TU56-00080	R
✓	TU56-00081	T
✓	TU56-00082	U
✓	TU56-00083	V
✓	TU56-00084	W
✓	TU56-00085	X
✓	TU56-00086	Y
✓	TU56-00087	Z

REVISIONS	DATE	BY	DESCRIPTION
1	8-26-70	S. VAILLANT	REVISED TO 1-1-70
2	8-26-70	S. VAILLANT	REVISED TO 1-1-70
3	8-26-70	S. VAILLANT	REVISED TO 1-1-70
4	8-26-70	S. VAILLANT	REVISED TO 1-1-70
5	8-26-70	S. VAILLANT	REVISED TO 1-1-70
6	8-26-70	S. VAILLANT	REVISED TO 1-1-70
7	8-26-70	S. VAILLANT	REVISED TO 1-1-70
8	8-26-70	S. VAILLANT	REVISED TO 1-1-70
9	8-26-70	S. VAILLANT	REVISED TO 1-1-70
10	8-26-70	S. VAILLANT	REVISED TO 1-1-70
11	8-26-70	S. VAILLANT	REVISED TO 1-1-70
12	8-26-70	S. VAILLANT	REVISED TO 1-1-70
13	8-26-70	S. VAILLANT	REVISED TO 1-1-70
14	8-26-70	S. VAILLANT	REVISED TO 1-1-70
15	8-26-70	S. VAILLANT	REVISED TO 1-1-70
16	8-26-70	S. VAILLANT	REVISED TO 1-1-70
17	8-26-70	S. VAILLANT	REVISED TO 1-1-70
18	8-26-70	S. VAILLANT	REVISED TO 1-1-70
19	8-26-70	S. VAILLANT	REVISED TO 1-1-70
20	8-26-70	S. VAILLANT	REVISED TO 1-1-70
21	8-26-70	S. VAILLANT	REVISED TO 1-1-70
22	8-26-70	S. VAILLANT	REVISED TO 1-1-70
23	8-26-70	S. VAILLANT	REVISED TO 1-1-70
24	8-26-70	S. VAILLANT	REVISED TO 1-1-70
25	8-26-70	S. VAILLANT	REVISED TO 1-1-70
26	8-26-70	S. VAILLANT	REVISED TO 1-1-70
27	8-26-70	S. VAILLANT	REVISED TO 1-1-70
28	8-26-70	S. VAILLANT	REVISED TO 1-1-70
29	8-26-70	S. VAILLANT	REVISED TO 1-1-70
30	8-26-70	S. VAILLANT	REVISED TO 1-1-70
31	8-26-70	S. VAILLANT	REVISED TO 1-1-70
32	8-26-70	S. VAILLANT	REVISED TO 1-1-70
33	8-26-70	S. VAILLANT	REVISED TO 1-1-70
34	8-26-70	S. VAILLANT	REVISED TO 1-1-70
35	8-26-70	S. VAILLANT	REVISED TO 1-1-70
36	8-26-70	S. VAILLANT	REVISED TO 1-1-70
37	8-26-70	S. VAILLANT	REVISED TO 1-1-70
38	8-26-70	S. VAILLANT	REVISED TO 1-1-70
39	8-26-70	S. VAILLANT	REVISED TO 1-1-70
40	8-26-70	S. VAILLANT	REVISED TO 1-1-70
41	8-26-70	S. VAILLANT	REVISED TO 1-1-70
42	8-26-70	S. VAILLANT	REVISED TO 1-1-70
43	8-26-70	S. VAILLANT	REVISED TO 1-1-70
44	8-26-70	S. VAILLANT	REVISED TO 1-1-70
45	8-26-70	S. VAILLANT	REVISED TO 1-1-70
46	8-26-70	S. VAILLANT	REVISED TO 1-1-70
47	8-26-70	S. VAILLANT	REVISED TO 1-1-70
48	8-26-70	S. VAILLANT	REVISED TO 1-1-70
49	8-26-70	S. VAILLANT	REVISED TO 1-1-70
50	8-26-70	S. VAILLANT	REVISED TO 1-1-70

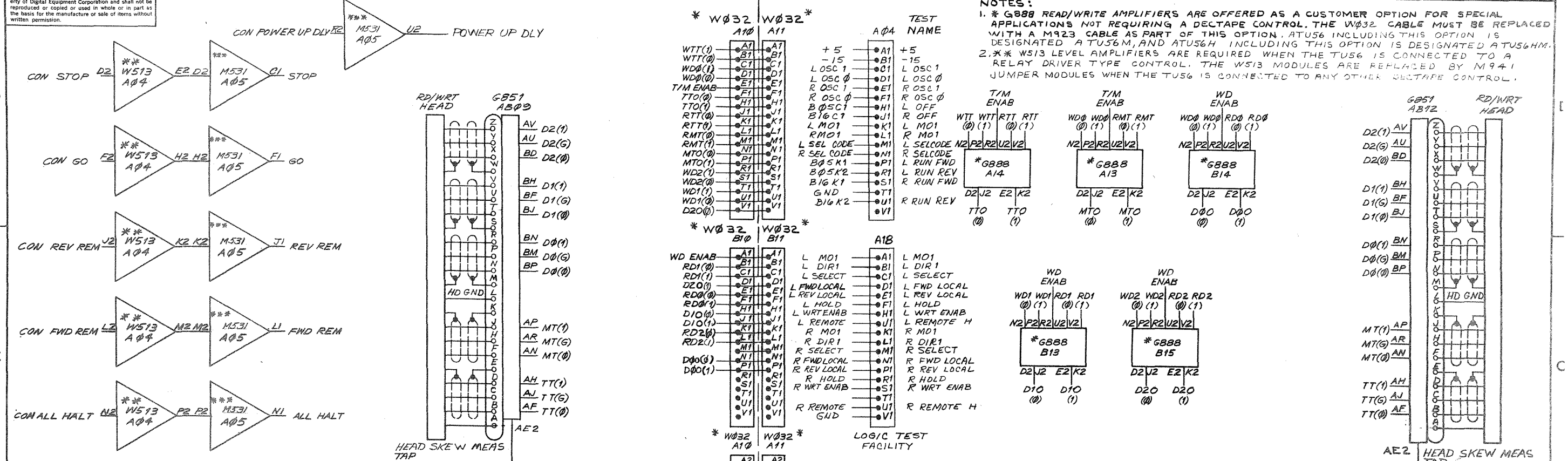
DIGITAL EQUIPMENT CORPORATION
TU56-0-1
REV. A

DRWG NO
K-WL-TU56-Ø-2

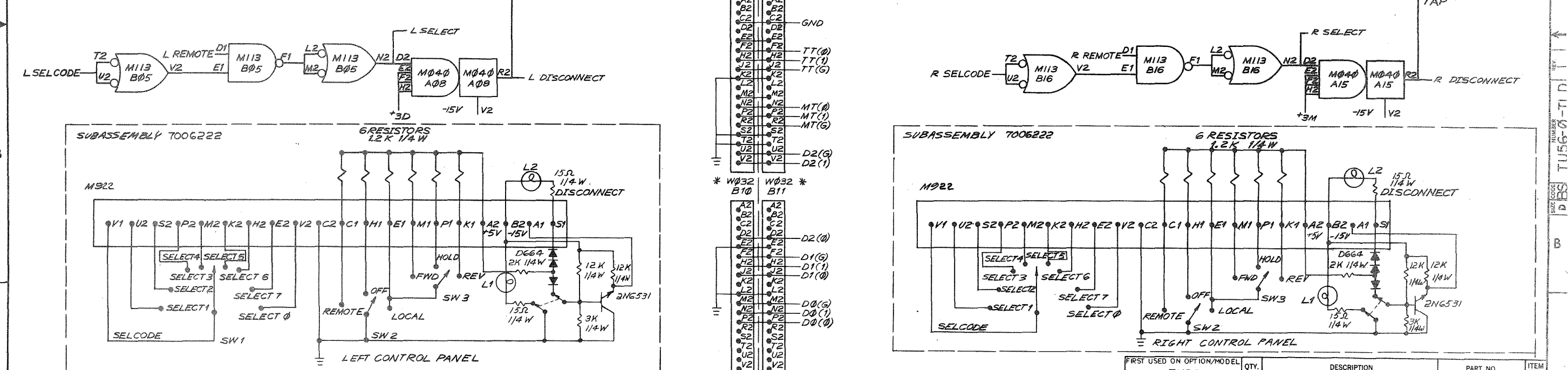
REVISIONS			
REV LTR	ECO NO	DATE	ENG
A	TU56-00005	12-8-69	E.F.
B	TU56-00009	1-30-70	E.F.
C	TU56-00021	4-13-70	E.F.
D	TU56-00026	5-21-70	E.F.

FIRST USED ON OPTION/MODEL TU56	DRAWN GULICK	DATE 7-8-69	 <p>digital EQUIPMENT CORPORATION MAYNARD, MASSACHUSETTS</p>	TITLE TU56 DEC TAPE
	CHECKED <i>D. Nadeau</i>	DATE 8-20-69		FOR TAPE # FILE *
	ENG <i>[Signature]</i>	DATE <i>[Signature]</i>		SIZE CODE DWG. NO. REV LTR
	PROJ ENG <i>[Signature]</i>	DATE		K WL TU56-Ø-2 D
	PROD <i>[Signature]</i>	DATE		SCALE NONE SHEET 1 OF 1 DIST.

Drawing and specifications herein are the property of Digital Equipment Corporation and shall not be reproduced or copied or used in whole or in part as the basis for the manufacture or sale of items without written permission.



NOTES:
 1. * G888 READ/WRITE AMPLIFIERS ARE OFFERED AS A CUSTOMER OPTION FOR SPECIAL APPLICATIONS NOT REQUIRING A DECTAPE CONTROL. THE W032 CABLE MUST BE REPLACED WITH A M923 CABLE AS PART OF THIS OPTION. ATU56 INCLUDING THIS OPTION IS DESIGNATED A TU56M, AND ATU56H INCLUDING THIS OPTION IS DESIGNATED ATU56HM.
 2. ** W513 LEVEL AMPLIFIERS ARE REQUIRED WHEN THE TU56 IS CONNECTED TO A RELAY DRIVER TYPE CONTROL. THE W513 MODULES ARE REPLACED BY M941 JUMPER MODULES WHEN THE TU56 IS CONNECTED TO ANY OTHER DECTAPE CONTROL.



REV.	CHG.	NO.	DATE

LEFT HAND TRANSPORT RIGHT HAND TRANSPORT
 CONT.
 3. *** G742 JUMPER CARD REPLACES M531 WHEN TU56 IS USED WITH POS OUTPUT LOGIC CONT.

FIRST USED ON OPTION/MODEL TU56	QTY.	DESCRIPTION	PART NO.	ITEM NO.
PARTS LIST				
UNLESS OTHERWISE SPECIFIED	DRN	R. Ryther	DATE	7-9-61
UNLESS OTHERWISE SPECIFIED	CHKD.	W. Abal	DATE	8-9-61
DIMENSION IN INCHES	ENG.	J. F. ...	DATE	8-2-61
TOLERANCES	PROJ. ENG.	S. ...	DATE	8-2-61
DECIMALS FRACTIONS ANGLES	PROD.	...	DATE	8-2-61
= .005 ± 1/64 ± 0°30'	NEXT HIGHER ASSY			
REMOVE BURRS AND BREAK SHARP CORNERS	A-ML-TU56-0			
MATERIAL	SCALE			
FINISH	SHEET 2 OF 2			
SIZE CODE		NUMBER		REV
D BS		TU56-0-TLD		L
DIST.				

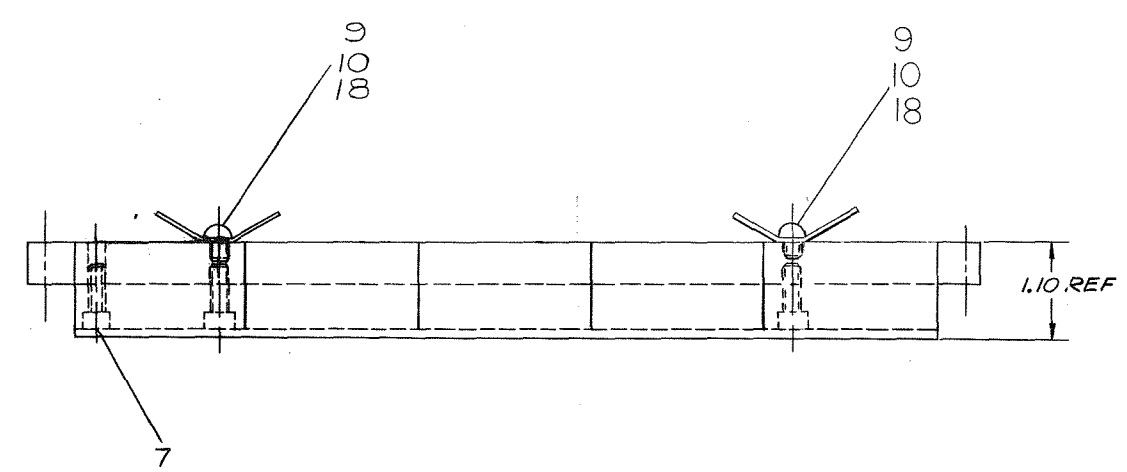
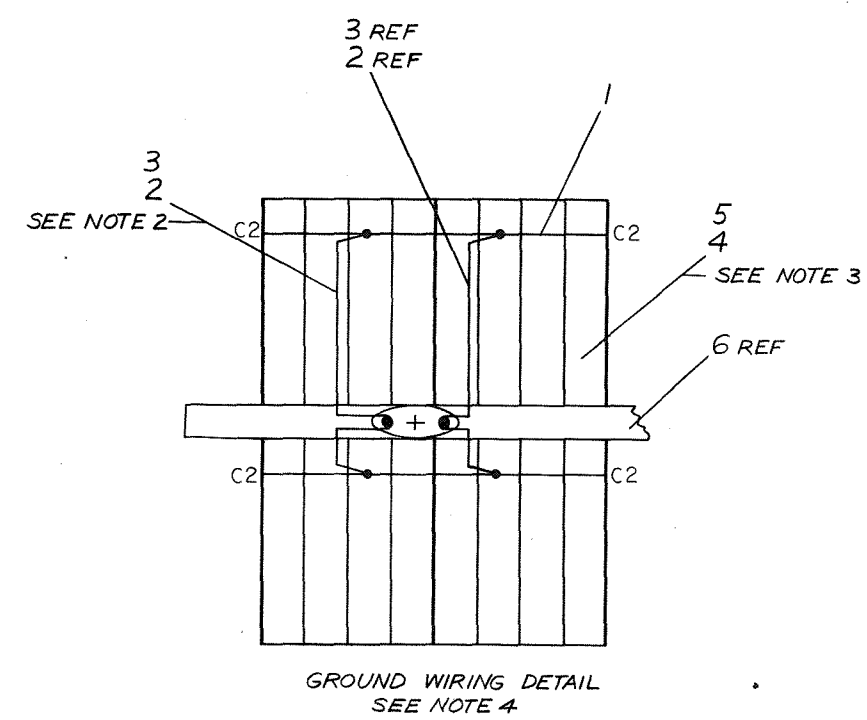
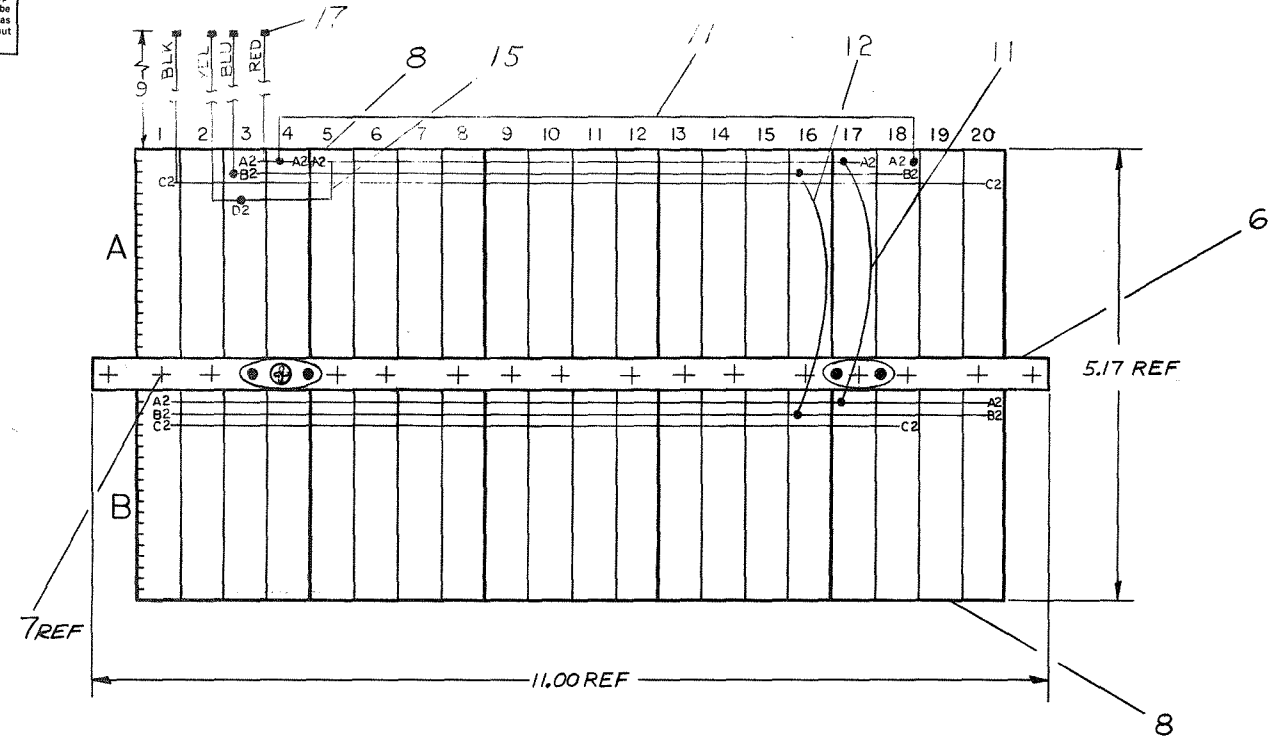
NUMBER
 REV
 TU56-0-TLD
 D BS
 A

This drawing and specifications, herein, are the property of Digital Equipment Corporation and shall not be reproduced or copied or used in whole or in part as the basis for the manufacture or sale of items without written permission.

0-0-7289002
DAD 2

ITEM NO.	COMP	POL	FROM	TO	POL
13	RESISTOR	X	A08S2	A06P1	X
13	RESISTOR	X	A08V2	A07P1	X
14	CAPACITOR	-	B08F1	A08L2	+
14	CAPACITOR	-	B08R1	B08S2	+

- NOTES:
1. CONNECTIONS ON ITEMS #1 & #2 TO BE SOLDERED AND LOCATED AT MINIMUM PRACTICAL HEIGHT ABOVE BLOCK
 2. CONN LUG TO BE GROUNDED TO GND LUG AS SHOWN
 3. USE YELLOW WIRE (ITEM #3) FOR MACHINE WRAPPED & BLUE WIRE (ITEM #4) FOR HAND WRAPPED WIRING
 4. JUMPER GROUND BUSSING AS SHOWN 1 PLACE



REV	CHG	NO	DATE	BY	DESCRIPTION
A					
B					
C					
D					
E					
F					

FIRST USED ON OPTION/MODEL	DO NOT SCALE DRAWING
TU56	UNLESS OTHERWISE SPECIFIED
TOLERANCES	DIMENSION IN INCHES
DECIMALS	TOLERANCES
.XXX = ± .005	DECIMALS FRACTIONS ANGLES
.XX = ± .02	3/16 3/32 1/8 1/4 3/8 1/2 3/4 1
.X = ± .1	REMOVE BURRS AND BREAK SHARP CORNERS

QTY.	DESCRIPTION	PART NO.	ITEM NO.
	PARTS LIST		
	digital EQUIPMENT CORPORATION MAYNARD, MASSACHUSETTS		
	TITLE WIRED ASSY TU56		
	NEXT HIGHER ASSY E-UA-TU56-0-0		
	SCALE 1/1	NUMBER 7006321-0-0	REV F
	SHEET 1 OF 1	DIST.	

DIGITAL EQUIPMENT CORPORATION
MAYNARD, MASSACHUSETTS
PARTS LIST

QUANTITY/VARIATION

MADE BY KEN GULICK	CHECKED D. HEALY	SECTION
DATE 6/19/69	DATE 7/23/69	1
ENG <i>E. Letting</i>	PROD <i>C. Templeton</i>	ISSUED SECT.
DATE 8/26/69	DATE 8/26/69	1

ITEM NO.	DWG NO. / PART NO.	DESCRIPTION
1	1205541	BUS STRIP
2	9107560-01	22 AWG BUS WIRE
3	9107265-09	#22 TUBING, TEFLON, WHITE
4	9105740-44	30 AWG SOLID TEF INS. WIRE, YELLOW
5	9105740-66	30 AWG SOLID TEF INS. WIRE, BLUE
6	6-IA-7407393-0-0	MTG BAR (5 BLOCKS) TU56
7	9006120	SCR. PHL HD SELF-TAPPING 8-32 x 5/8
8	1205348	288 PIN CONN BLOCK
9	9006775	TERMINAL #2116-08-00 SHAKEPROOF
10	9008143	SCR. PHL HD SELF-TAPPING 8-32 x 1/2
11	9107350-22	22 AWG STRD TEF INS WIRE, RED
12	9107530-66	22 AWG STRD TEF INS WIRE, BLU
13	7408015	RESISTOR 100 OHMS 1/4 W 5% CCW/TERMI PTS
14	7408016	CAPACITOR 22 MFD 35V S. TANT W/TERMI PTS
REF	K-WL-TU56-0-2	WIRE LIST
15	9107350-44	22 AWG STRD TEF INS WIRE, YEL
16	9107350-00	22 AWG STRD TEF INS WIRE, BLK
17	9007917	CONN. SOLDERLESS #50902 ARKLES
18	9006634	WASHER INT #8

7006321-0																			
	A/R																		
	A/R																		
	A/R																		
	A/R																		
	A/R																		
	1																		
	10																		
	5																		
	2																		
	2																		
	A/R																		
	A/R																		
	2																		
	2																		
	X																		
	A/R																		
	A/R																		
	4																		
2																			

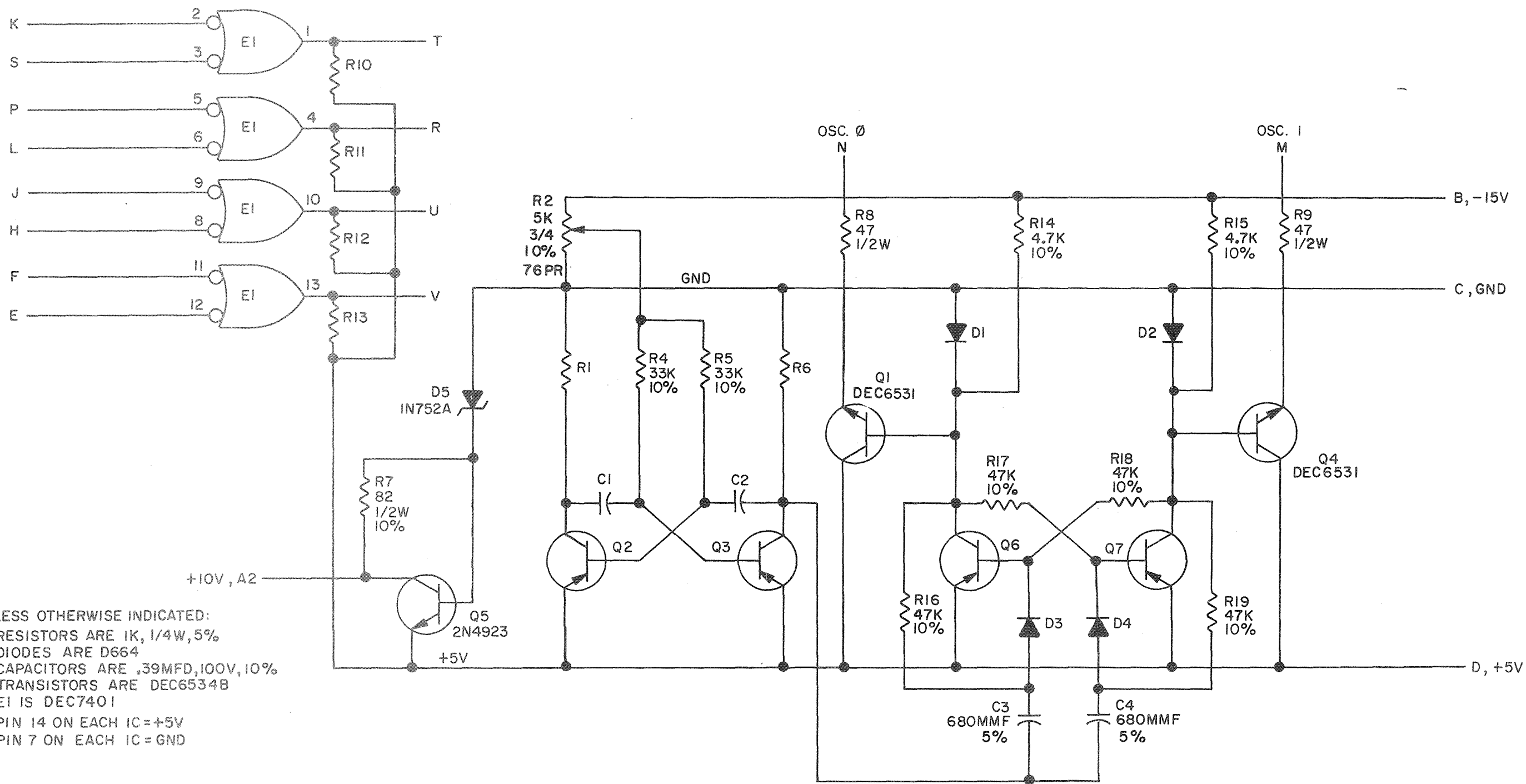
TITLE	ASSY NO.	SIZE	CODE	NUMBER	REV.	ECO NO.
WIRED ASSY TU56	D-AD-7006321-0-0	A	PL	7006321-0-0	E	7006321-0000L
	SHEET 1 OF 1	DIST.				

DEC FORM NO. DRA 110

DIGITAL EQUIPMENT CORPORATION MAYNARD, MASSACHUSETTS				LEGEND		QUANTITY / VARIATION									
MADE BY J. INGLEDUE DATE 5-31-72		CHECKED 7-7-72 DATE FOR J. INGLEDUE H. DRAB		SECTION 1											
ENG H. DRAB DATE 7-7-72		PROD DATE		ISSUED SECT. 2											
ACCESSORY LIST				D DOCUMENT DN DOCUMENT CHANGE NOTICE PA PAPER TAPE ASCII PB PAPER TAPE BINARY PM PAPER TAPE READ-IN-MODE		TU56	TU56-H	TU56-M	TU56-MH	TU56-C	TU56-HC	KIT CHECK	BY DATE	INSTALLATION CHECK	BY DATE
ITEM NO.	DWG NO. / PART NO.	DESCRIPTION				TU56	TU56-H	TU56-M	TU56-MH	TU56-C	TU56-HC	KIT CHECK	BY DATE	INSTALLATION CHECK	BY DATE
1.	TUC-Ø1	Head Cleaning Kit				1	1	1	1	Ø	Ø				
2.	1209331	Take Up Reel				2	1	2	1	2	1				
3.	7405996	Certified Dec Tape 12 Bit Format **				2	1	2	1	Ø	Ø				
4.	7405996-1	Certified Dec Tape 18 Bit Format ***				2	1	Ø	Ø	Ø	Ø				
5.	A-ML-TU56-0	Print Set (When not included in control printset)				1	1	1	1	1	1				
6.	Dec-ØØ-HRTB-D	Maintenance Manual				1	1	1	1	Ø	Ø				
7.	BCØ2X-Ø3	Select Cable *				1	1	Ø	Ø	Ø	Ø				
8.	7405152-1	Head Cable *				1	1	Ø	Ø	Ø	Ø				
9.	7408321	Mounting Bracket *				1	1	1	1	1	1				
10.	7408322	Spacer Block *				2	2	2	2	2	2				
Note: For Positive Logic Interface G742 Jumper Module Replaces M531.															
***Supply with units for use on PDP1,4,6,7,9,10,11,15															
** Supply with units for use on PDP5,12,8															
* Loose Piece when shipped as add-on, stand alone															
TITLE TU56 ACCESSORY LIST				ASSY. NO.		SIZE CODE A AL		NUMBER TU56-0-5			REV. F		ECO NO TU56-0003		
SHEET 1 OF 2						DIST.									

DIGITAL EQUIPMENT CORPORATION MAYNARD, MASSACHUSETTS				LEGEND		QUANTITY / VARIATION									
MADE BY J. INGLEDUE DATE 5-31-72		CHECKED 7-7-72 DATE H. DRAB		SECTION 2											
ENG H. DRAB DATE 7-7-72		PROD DATE		ISSUED SECT. 2											
ACCESSORY LIST				D DOCUMENT DN DOCUMENT CHANGE NOTICE PA PAPER TAPE ASCII PB PAPER TAPE BINARY PM PAPER TAPE READ-IN-MODE		TU56-MR	TU56-MJ	TU56-MC	TU56-MD			KIT CHECK	BY DATE	INSTALLATION CHECK	BY DATE
ITEM NO.	DWG NO. / PART NO.	DESCRIPTION				TU56-MR	TU56-MJ	TU56-MC	TU56-MD			KIT CHECK	BY DATE	INSTALLATION CHECK	BY DATE
1.	TUC-Ø1	Head Cleaning Kit				1	1	Ø	Ø						
2.	1209331	Take Up Reel				2	1	2	1						
3.	7405996	Certified Dec Tape 12 Bit Format **				2	1	Ø	Ø						
4.	7405996-1	Certified Dec Tape 18 Bit Format ***				Ø	Ø	Ø	Ø						
5.	A-ML-TU56-Ø	Print Set (When not included in Control Print Set)				1	1	1	1						
6.	DEC-00-HRTB-D	Maintenance Manual				1	1	Ø	Ø						
7.	BCØ2X-Ø3	Select Cable *				Ø	Ø	Ø	Ø						
8.	7405152-1	Head Cable *				Ø	Ø	Ø	Ø						
9.	7408321	Mounting Bracket *				Ø	Ø	Ø	Ø						
10.	7408322	Spacer Block *				Ø	Ø	Ø	Ø						
TITLE T ACCESSORY LIST															
ASSY. NO.						SIZE CODE A AL		NUMBER TU56-0-5			REV. F		ECO NO TU56-0003		
SHEET 1 OF 2						DIST.									

THIS SCHEMATIC IS FURNISHED ONLY FOR TEST AND MAINTENANCE PURPOSES. THE CIRCUITS ARE PROPRIETARY IN NATURE AND SHOULD BE TREATED ACCORDINGLY. COPYRIGHT 1969 BY DIGITAL EQUIPMENT CORPORATION



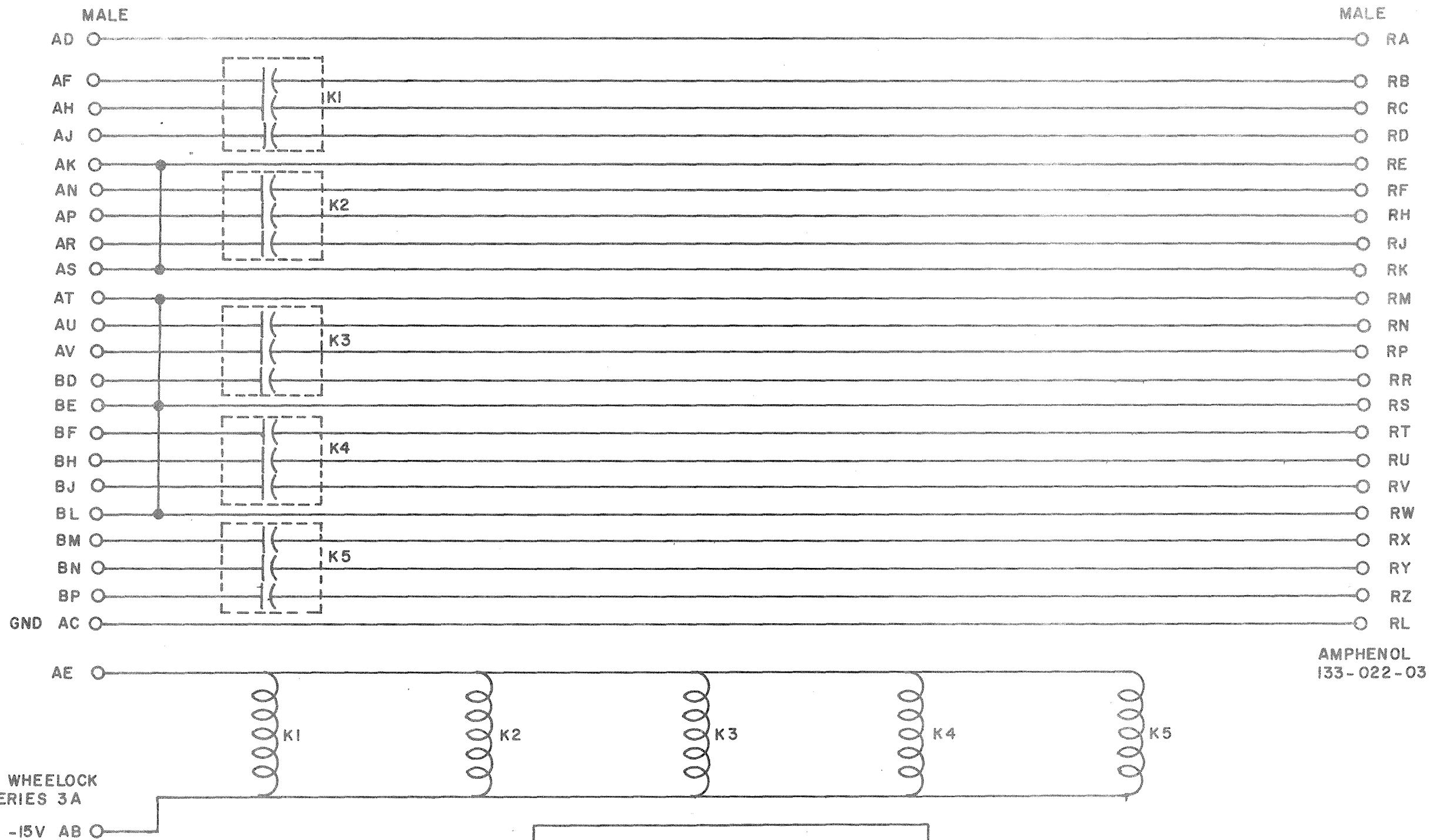
UNLESS OTHERWISE INDICATED:
 RESISTORS ARE 1K, 1/4W, 5%
 DIODES ARE D664
 CAPACITORS ARE .39MFD, 100V, 10%
 TRANSISTORS ARE DEC6534B
 EI IS DEC7401
 PIN 14 ON EACH IC = +5V
 PIN 7 ON EACH IC = GND

<table border="1"> <tr> <th>REVISIONS</th> <th>CHK</th> <th>CHG NO</th> <th>REV</th> </tr> <tr> <td></td> <td></td> <td>00001</td> <td>A</td> </tr> <tr> <td></td> <td></td> <td>00002</td> <td>B</td> </tr> <tr> <td></td> <td></td> <td>00003</td> <td>C</td> </tr> </table>				REVISIONS	CHK	CHG NO	REV			00001	A			00002	B			00003	C	DRN. BUTLER DATE 11-13-69 CHK'D <i>V. Smith</i> DATE 11-17-69 ENG. <i>E. Lutting</i> DATE 1/24/69 PROD. DATE		TRANSISTOR & DIODE CONVERSION CHART <table border="1"> <tr> <th>DEC</th> <th>EIA</th> <th>DEC</th> <th>EIA</th> </tr> <tr> <td>D664</td> <td>IN3606</td> <td></td> <td></td> </tr> <tr> <td>DEC6534B</td> <td>MPS6534B</td> <td></td> <td></td> </tr> <tr> <td>DEC6531</td> <td>MPS6531</td> <td></td> <td></td> </tr> <tr> <td>2N4923</td> <td>SAME</td> <td></td> <td></td> </tr> </table>				DEC	EIA	DEC	EIA	D664	IN3606			DEC6534B	MPS6534B			DEC6531	MPS6531			2N4923	SAME			digital EQUIPMENT CORPORATION MAYNARD, MASSACHUSETTS		TITLE CLOCK & REGULATOR G859	
REVISIONS	CHK	CHG NO	REV																																														
		00001	A																																														
		00002	B																																														
		00003	C																																														
DEC	EIA	DEC	EIA																																														
D664	IN3606																																																
DEC6534B	MPS6534B																																																
DEC6531	MPS6531																																																
2N4923	SAME																																																
SIZE B		CODE CS		NUMBER G859-0-1		REV. C																																											
PRINTED CIRCUIT REV. A																																																	



REV.	NUMBER	SIZE	CODE
B	G851-0-1	B	CS

THIS SCHEMATIC IS FURNISHED ONLY FOR TEST AND MAINTENANCE PURPOSES. THE CIRCUITS ARE PROPRIETARY IN NATURE AND SHOULD BE TREATED ACCORDINGLY. COPYRIGHT 1965 BY DIGITAL EQUIPMENT CORPORATION



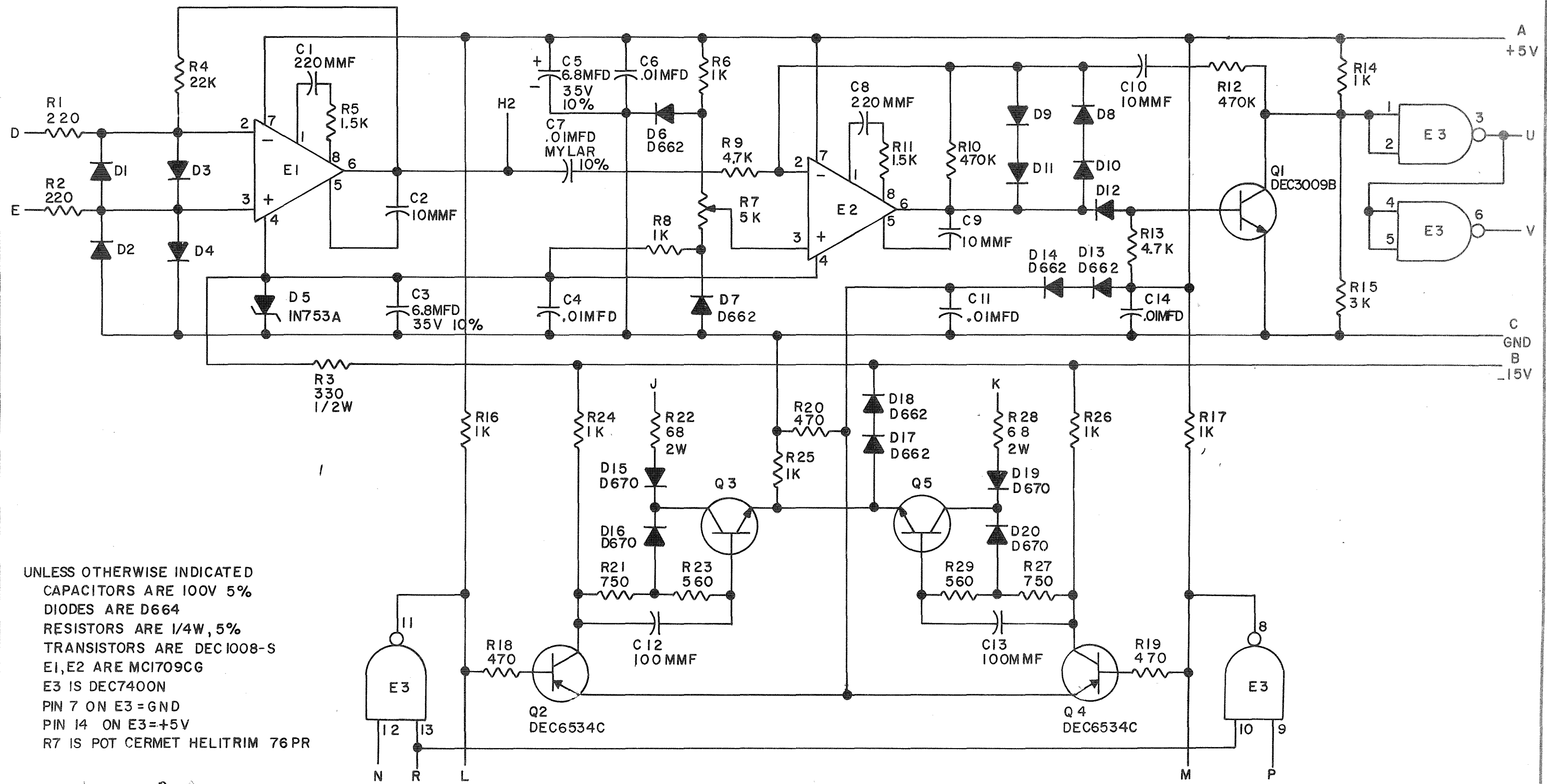
NOTE:
RELAYS ARE WHEELLOCK REED, 260 SERIES 3A
12V DC

< A B C D E F G H I J K L M N O P Q R S T U V W X Y Z >

REVISIONS	CHK NO.	REV.	DRN. H.W. PORTER	DATE	TRANSISTOR & DIODE CONVERSION CHART				TITLE RELAY G851				
	4613	I		1-13-65	DEC	EIA	DEC	EIA					
	REV & REDR.			1-25-65									
5196	B	ENG. D. WARDIMAN	DATE	digital				SIZE	CODE	NUMBER	REV.		
		PROD.	DATE	EQUIPMENT CORPORATION				B	CS	G851-0-1	B		
								MAYNARD, MASSACHUSETTS				PRINTED CIRCUIT REV.	B



THIS SCHEMATIC IS FURNISHED ONLY FOR TEST AND MAINTENANCE PURPOSES. THE CIRCUITS ARE PROPRIETARY IN NATURE AND SHOULD BE TREATED ACCORDINGLY. COPYRIGHT 1969 BY DIGITAL EQUIPMENT CORPORATION



UNLESS OTHERWISE INDICATED
 CAPACITORS ARE 100V 5%
 DIODES ARE D664
 RESISTORS ARE 1/4W, 5%
 TRANSISTORS ARE DEC1008-S
 E1, E2 ARE MC1709C6
 E3 IS DEC7400N
 PIN 7 ON E3 = GND
 PIN 14 ON E3 = +5V
 R7 IS POT CERMET HELITRIM 76 PR

REVISIONS	CHK	CHG NO.	REV.
		6888	A
		6889	B
		6890	C

H. DRAB
 8/16/72
 B
 10002
 G. Twister 11/16/73
 H. DRAB
 1/16/74

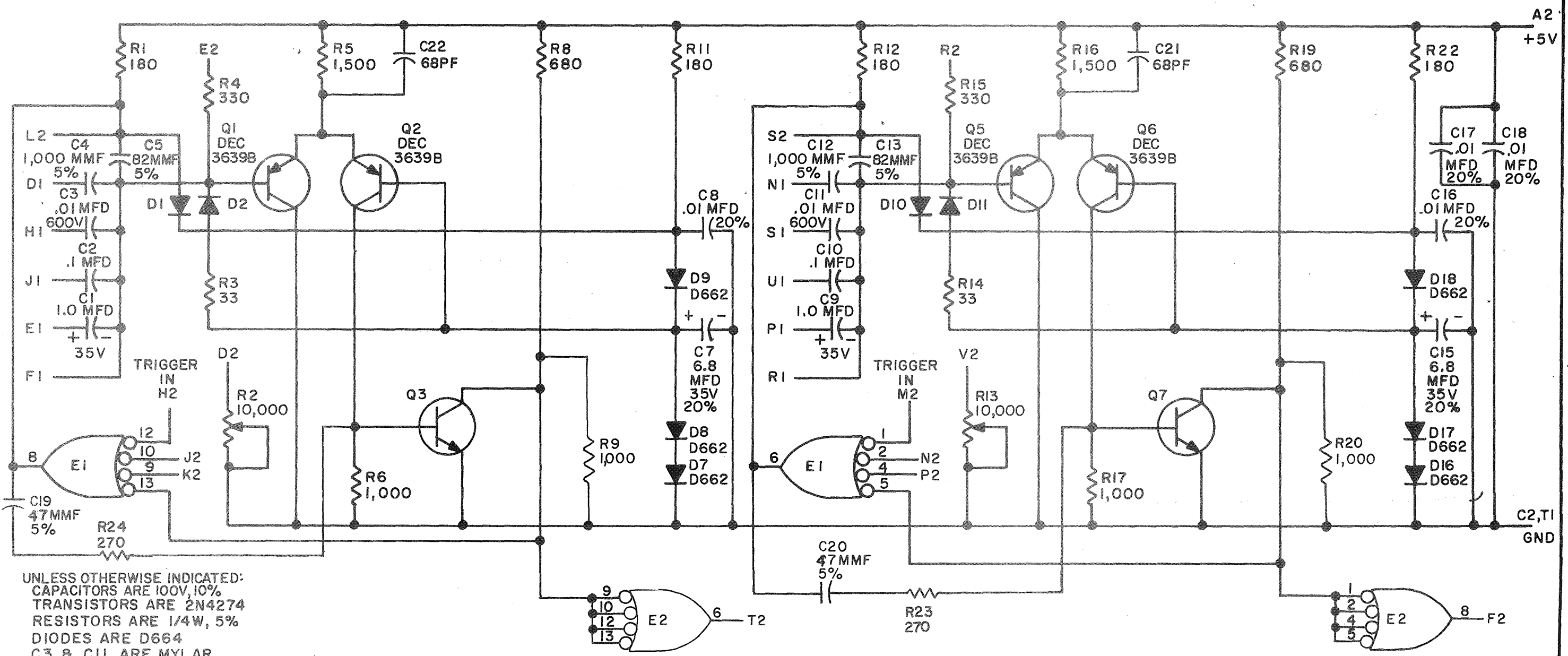
DRN.	DATE
A. Clemens	8-24-69
CHK'D V. A. Hallett	9/3/69
ENG. J. Colville	9/25/69
PROD.	DATE

TRANSISTOR & DIODE CONVERSION CHART			
DEC	EIA	DEC	EIA
D664	IN3606	DEC1008-S	MM1008
D662	IN645		
D670	SAME		
DEC3009B	2N3009B		
DEC6534C	MPS6534		

digital
 EQUIPMENT CORPORATION
 MAYNARD, MASSACHUSETTS

TITLE			
MANCHESTER READER/WRITER G888			
SIZE	CODE	NUMBER	REV.
B	CS	G888-0-1	B
PRINTED CIRCUIT REV.			A

THIS SCHEMATIC IS FURNISHED ONLY FOR TEST AND MAINTENANCE PURPOSES. THE CIRCUITS ARE PROPRIETARY IN NATURE AND SHOULD BE TREATED ACCORDINGLY. COPYRIGHT 1967 BY DIGITAL EQUIPMENT CORPORATION



UNLESS OTHERWISE INDICATED:
 CAPACITORS ARE 100V, 10%
 TRANSISTORS ARE 2N4274
 RESISTORS ARE 1/4W, 5%
 DIODES ARE D664
 C3 & C11 ARE MYLAR
 E1 IS DEC74H40N
 PIN 7 ONIC'S= GND
 PIN 14 ONIC'S= +5V
 R2 & R13 ARE HELITRIM POT #78PR
 1.0MFD CAPACITORS ARE TANTALUM
 E2 IS DEC7413N

PARTS LIST A-PL-M302-0-0

REV.	CHK	NO.	REV.	B	C	D	E	F	H	J	K	L
		5507										
		6719										
		6881										
		7077										
		00001										
		00002										
		00003										
		00004										

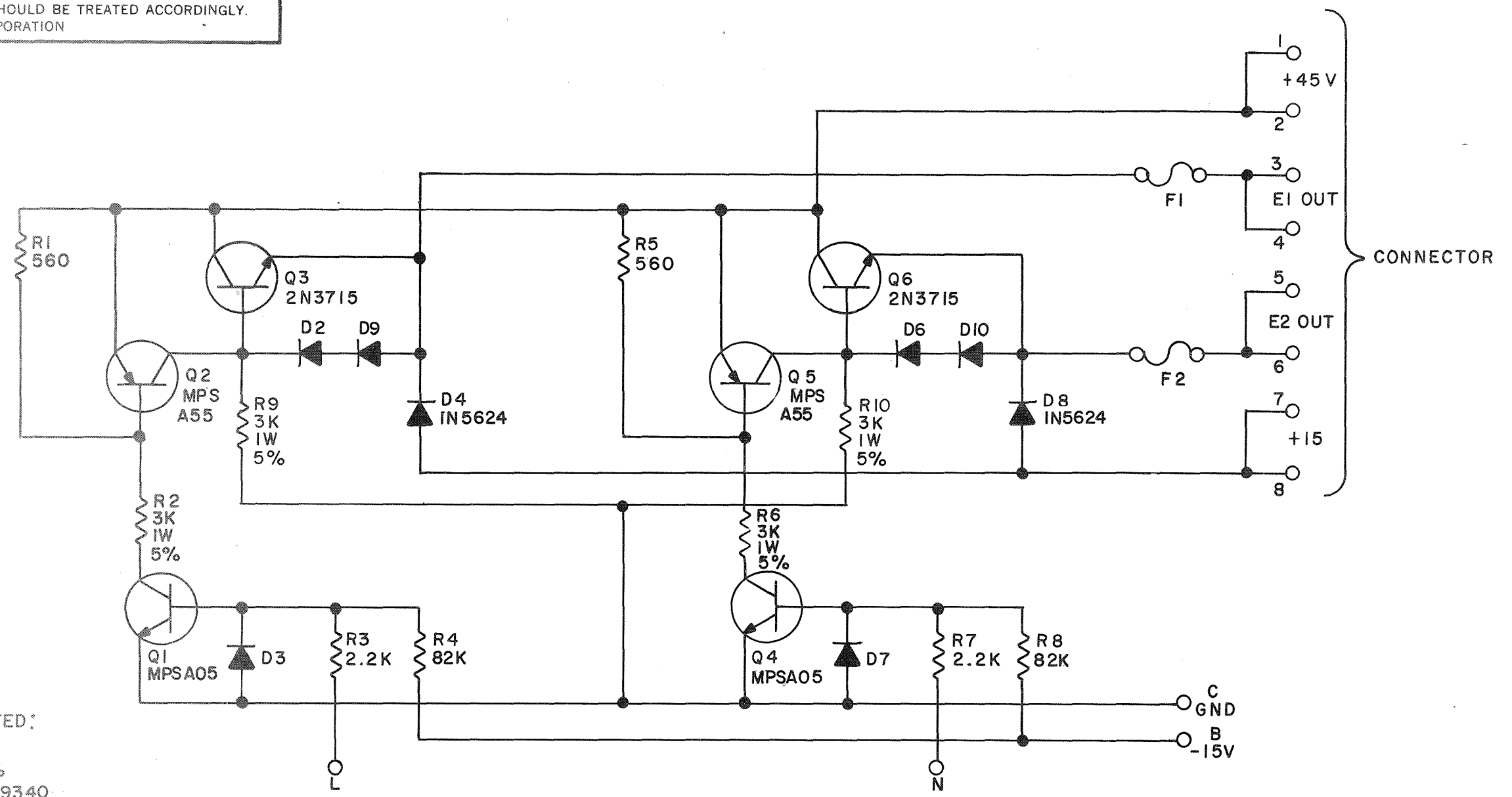
DRN. <i>M. Haller</i>	DATE 6-15-67
CHK'D <i>[Signature]</i>	DATE 6/21/67
ENG. <i>L. White</i>	DATE 6/21/67
PROD. I	DATE

TRANSISTOR & DIODE CONVERSION CHART			
DEC	EIA	DEC	EIA
2N4274	SAME		
DEC3639B	2N3639		
D662	IN645		
D664	IN3606		

digital
 EQUIPMENT CORPORATION
 MAYNARD, MASSACHUSETTS

TITLE ONE SHOT DELAY M302			
SIZE B	CODE CS	NUMBER M302-0-1	REV. L
PRINTED CIRCUIT REV.			L

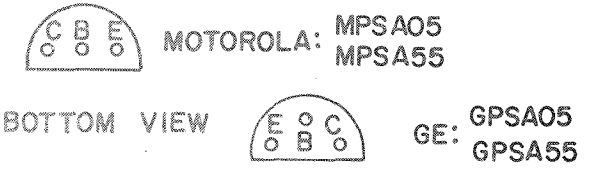
THIS SCHEMATIC IS FURNISHED ONLY FOR TEST AND MAINTENANCE PURPOSES. THE CIRCUITS ARE PROPRIETARY IN NATURE AND SHOULD BE TREATED ACCORDINGLY. COPYRIGHT 1969 BY DIGITAL EQUIPMENT CORPORATION



UNLESS OTHERWISE INDICATED:
 DIODES ARE D672
 RESISTORS ARE 1/4W, 10%
 CONNECTOR IS DEC #1209340
 CONNECTOR PINS ARE DEC #1209456
 F1, F2 ARE 5 AMP

NOTE: Q1, Q2, Q4, Q5 HAVE VARIED PACKAGES
 DEPENDING ON SOURCE.

SEE DIAGRAM:



REVISIONS	CHK	CHG NO	REV
		00002	A
		00003	B
		00004	C
		00005	D
		00006	E

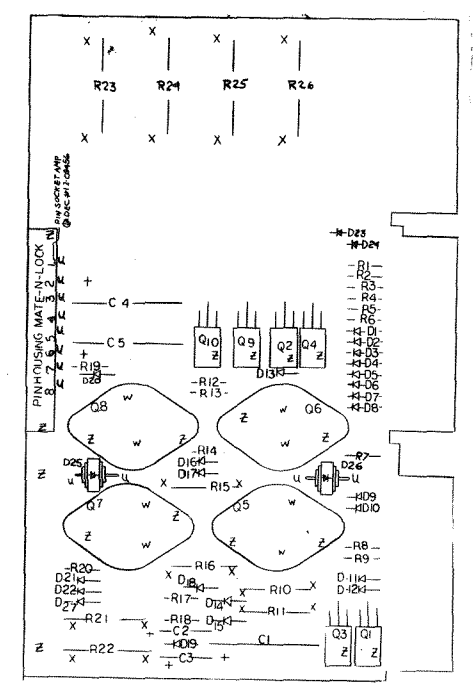
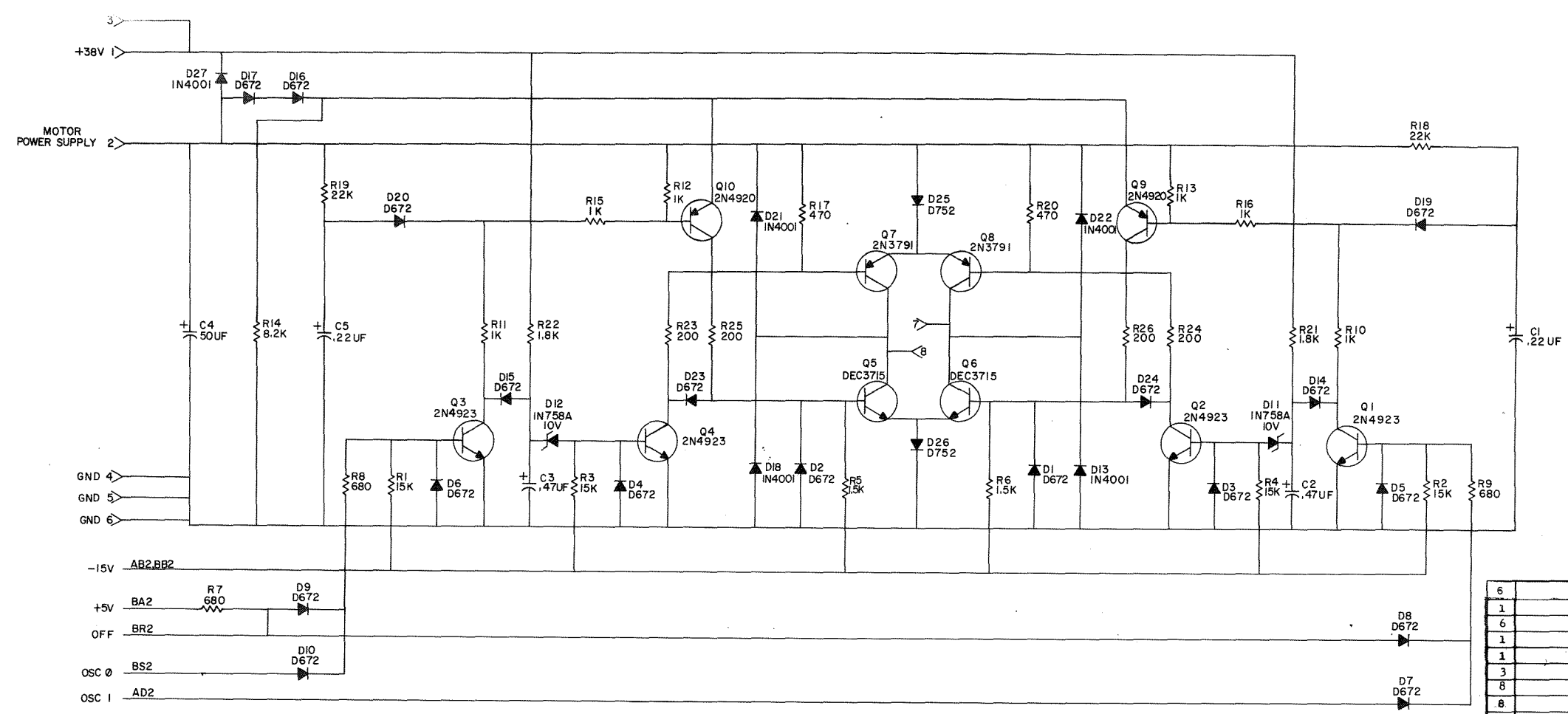
DRN. <i>G. Calmon</i>	DATE 9-4-69
CHK'D <i>J. H. Harte</i>	DATE 9/8/69
ENG. <i>E. Lutting</i>	DATE 2-17-70
PROD.	DATE

TRANSISTOR & DIODE CONVERSION CHART			
DEC	EIA	DEC	EIA
D672	IN3653		
MPSA05			
2N3715	NONE		
MPSA55			
IN5624	SAME		

digital
 EQUIPMENT CORPORATION
 MAYNARD, MASSACHUSETTS

TITLE DUAL MOTOR VOLTAGE CONTROL G847			
SIZE B	CODE CS	NUMBER G847-0-1	REV D
PRINTED CIRCUIT REV.			E

THIS SCHEMATIC IS FURNISHED ONLY FOR TEST AND MAINTENANCE PURPOSES. THE CIRCUITS ARE PROPRIETARY IN NATURE AND SHOULD BE TREATED ACCORDINGLY. COPYRIGHT 1971 BY DIGITAL EQUIPMENT CORPORATION.



QTY.	REP. DESIGNATION	DESCRIPTION	DEC PART NO.	QTY.
6		NYLON SCREW 4-40X3/8	9006401-4	36
1		FIBER SPACER 1/4 x 1/4 x #6	9007615	35
6		4-40 NYLON HEX NUT	9007992	36
1		NYLON HEXNUT #4	9007992	33
1		NYLON SCREW 4-40 x 1/2	9006402-4	32
3		HANDLE EYELET	9006732	31
8		4-40 KEFNUT	9006557	30
8		4-40 x 5/16" SCREW	9006010-4	29
1		HANDLE, FLIP CHIP - GREEN	9008337-01	28
2	Q9, 10	TRANSISTOR 2N4920	1509605	27
4	Q1, 2, 4, 3	TRANSISTOR 2N4923	1509601	26
2	Q7, 8	TRANSISTOR 2N3791	1509581	25
2	Q5, 6	TRANSISTOR DEC 3715	1503068	24
2	R18, 19	RES. 22K 1/4W 5%	1301808	23
4	R23, 24, 25, 26	RES. 200 5W 5%	1309639	22
4	R1, 2, 3, 4	RES. 15K 1/4W 5%	1300496	21
1	R14	RES. 8.2K 1/4W 5%	1303179	20
2	R21, 22	RES. 1.8K 2W 10%	1300402	19
2	R5, 6	RES. 1.5K 1/4W 5%	1300391	18
4	R10, 11, 15, 16	RES. 1K 1W 5%	1300368	17
2	R12, 13	RES. 1K 1/4W 5%	1300365	16
3	R7, 8, 9	RES. 680 1/4W 5%	1301424	15
2	R17, 20	RES. 470 1/4W 5%	1300316	14
8		PIN, SOCKET	1209456	13
1		PIN HOUSING	1209340	12
2	D11, 12	DIODE ZENER 1N758A 10V, 1/4W 5%	1100125	11
2	D25, 26	DIODE D752	1110615	10
18	D1-10, 14-17, 19, 20, 23, 24	DIODE D672	1105275	9
5	D13, 18, 21, 22, 27	DIODE 1N4001	1102942	8
2	C1, 5	CAP. 0.22UF 100V 10% MYLAR	1000037	7
2	C2, 3	CAP. 0.47UF 35V 10% S.TANT	1005965	6
1	C4	CAP. 50UF 50V -10+75% S.TANT	1000080	5
1		ETCHED CIRCUIT BOARD	5008522	4
		MODULE ECO HISTORY	B-MH-6848-0-6	3
		ETCH BOARD, MOTOR CCNT	EIA-S008522-0-0	2
		X-Y COORDINATE HOLE LOCATION	K-CO-6848-0-4	1

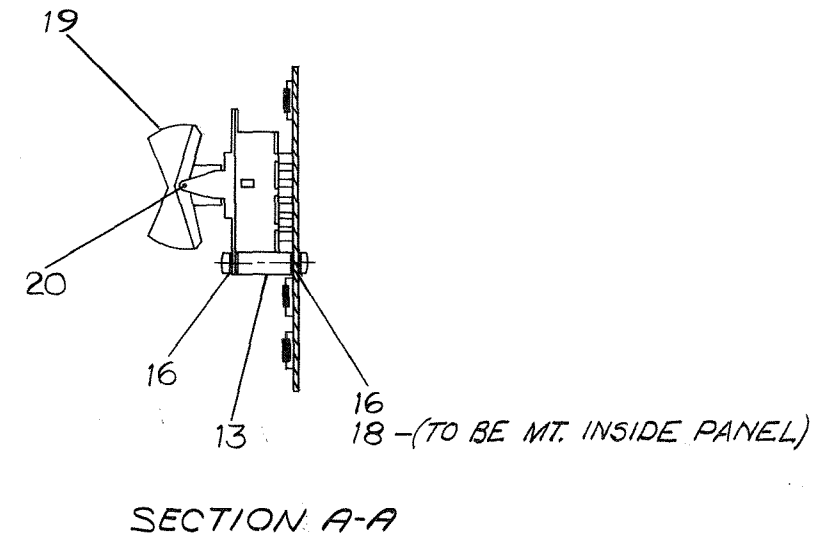
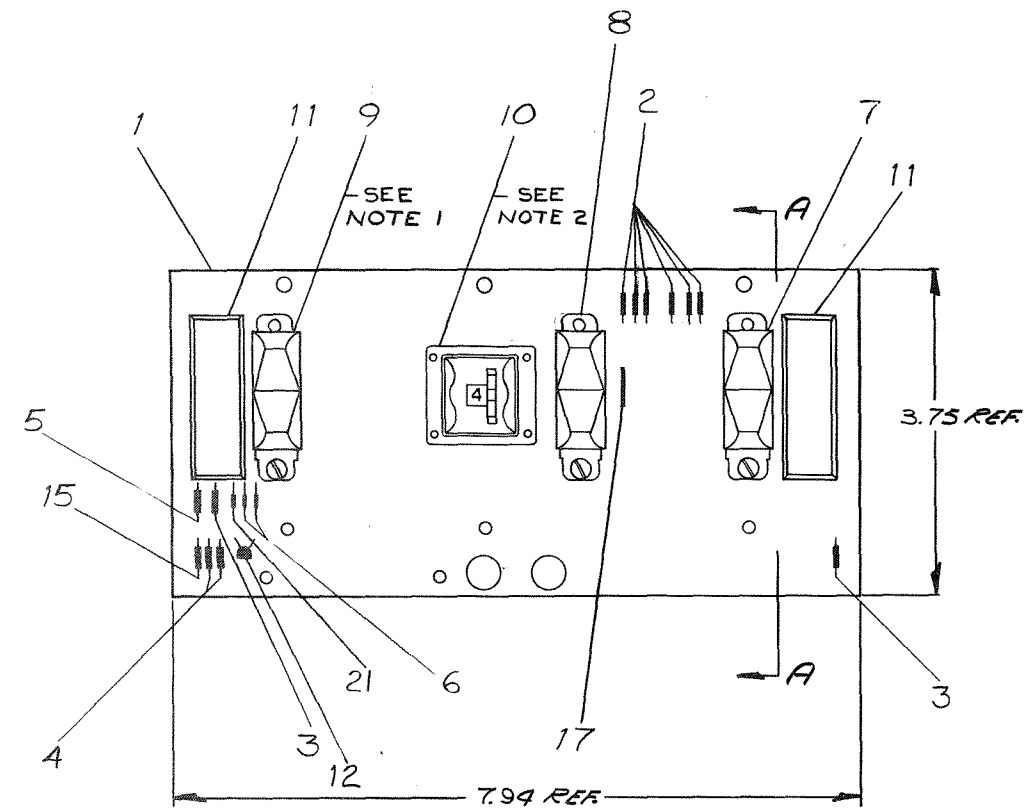
REV	DATE	BY	CHK	DESCRIPTION
1	12-2-69	A. RITCEY		TRANSISTOR & DIODE CONVERSION CHART
2	12-4-69	R. TREMBLAY		
3	4-3-70	E. LUTTIG		
4				

REV	DATE	BY	CHK	DESCRIPTION
1	12-2-69	A. RITCEY		TRANSISTOR & DIODE CONVERSION CHART
2	12-4-69	R. TREMBLAY		
3	4-3-70	E. LUTTIG		
4				

REV	DATE	BY	CHK	DESCRIPTION
1	12-2-69	A. RITCEY		TRANSISTOR & DIODE CONVERSION CHART
2	12-4-69	R. TREMBLAY		
3	4-3-70	E. LUTTIG		
4				

This drawing and specifications, herein, are the property of Digital Equipment Corporation and shall not be reproduced or copied or used in whole or in part as the basis for the manufacture or sale of items without written permission.

- NOTES:
1. HAND DEGREASE ONLY-DO NOT VAPOR DEGREASE AS IT WILL CAUSE MALFUNCTION IN SWITCHES
 2. IN SOLDERING OPERATIONS DO NOT ALLOW FLUX OR CLEANING AGENT TO ENTER SWITCH



REV.	CHG. NO.	DATE	BY
B	TU56-00020	4/3/70	DRAB
C		4/3/70	DRAB
D		4/3/70	DRAB

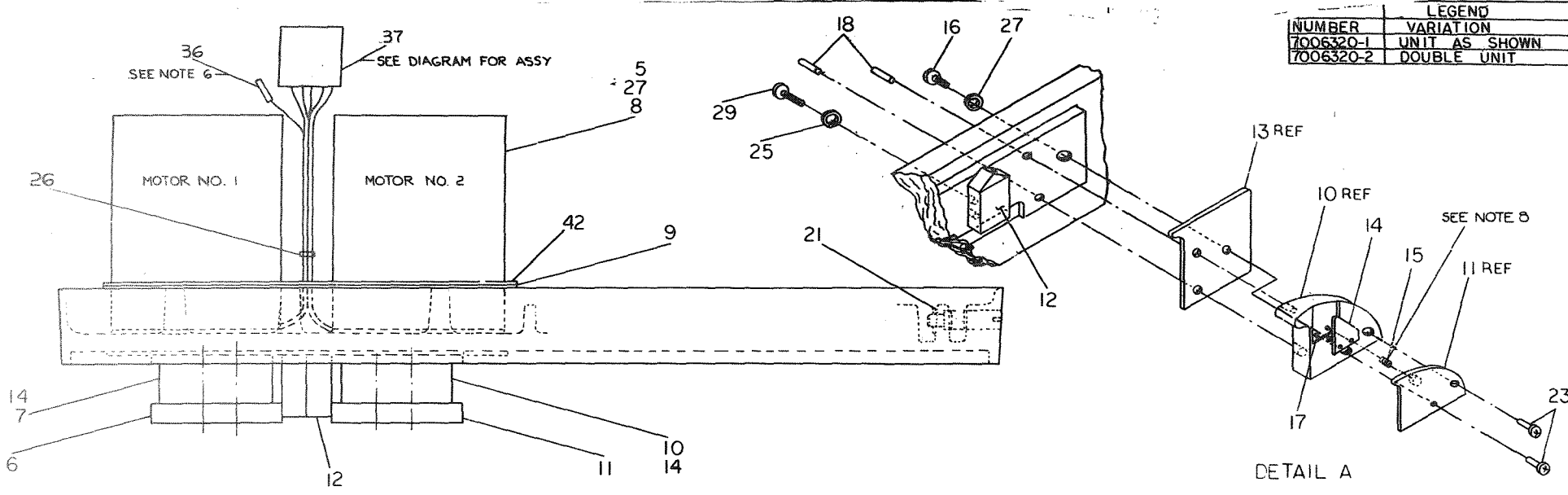
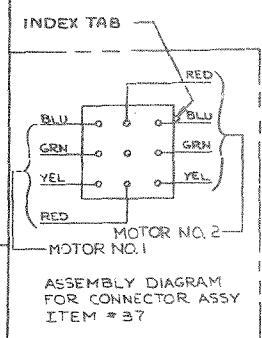
FIRST USED ON OPTION / MODEL
TU56

TOLERANCES
DECIMALS
.XXX = ±.005
.XX = ±.02
.X = ±.1

DO NOT SCALE DRAWING	DRN: <i>Robert D</i>	DATE: 8-11-69
UNLESS OTHERWISE SPECIFIED DIMENSION IN INCHES	CHKD: <i>Alan</i>	DATE: 8/19/69
TOLERANCES	ENG: <i>Alan</i>	DATE: 8/3/70
DECIMALS: ±.005	PROJ. ENG: <i>Alan</i>	DATE: 8/3/70
FRACTIONS: ±.005	PROD: <i>Alan</i>	DATE: 8/3/70
ANGLES: = 0°30'	NEXT HIGHER ASSY: D-7A-7006222-0-0	
FINAL SURFACE QUALITY: REMOVE BURRS AND BREAK SHARP CORNERS	SCALE: 1 OF 1	
MATERIAL: ---	SHEET: 1 OF 1	
FINISH: ---		

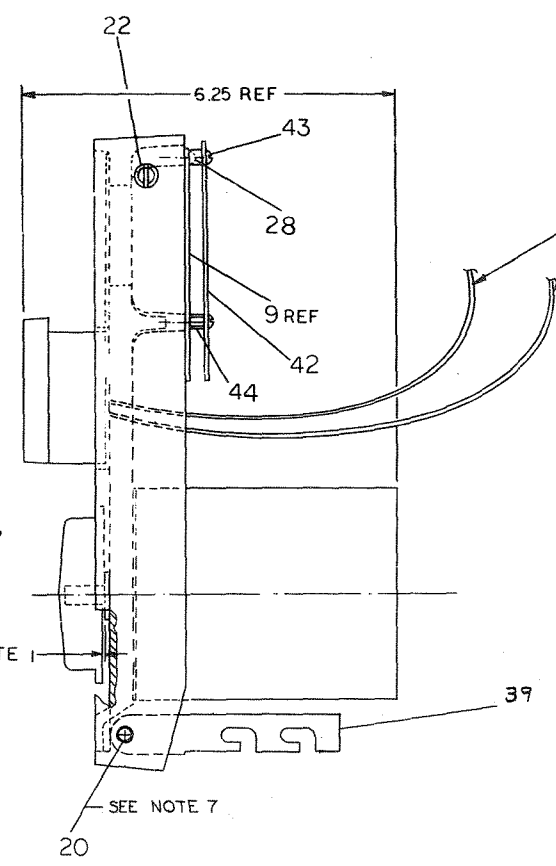
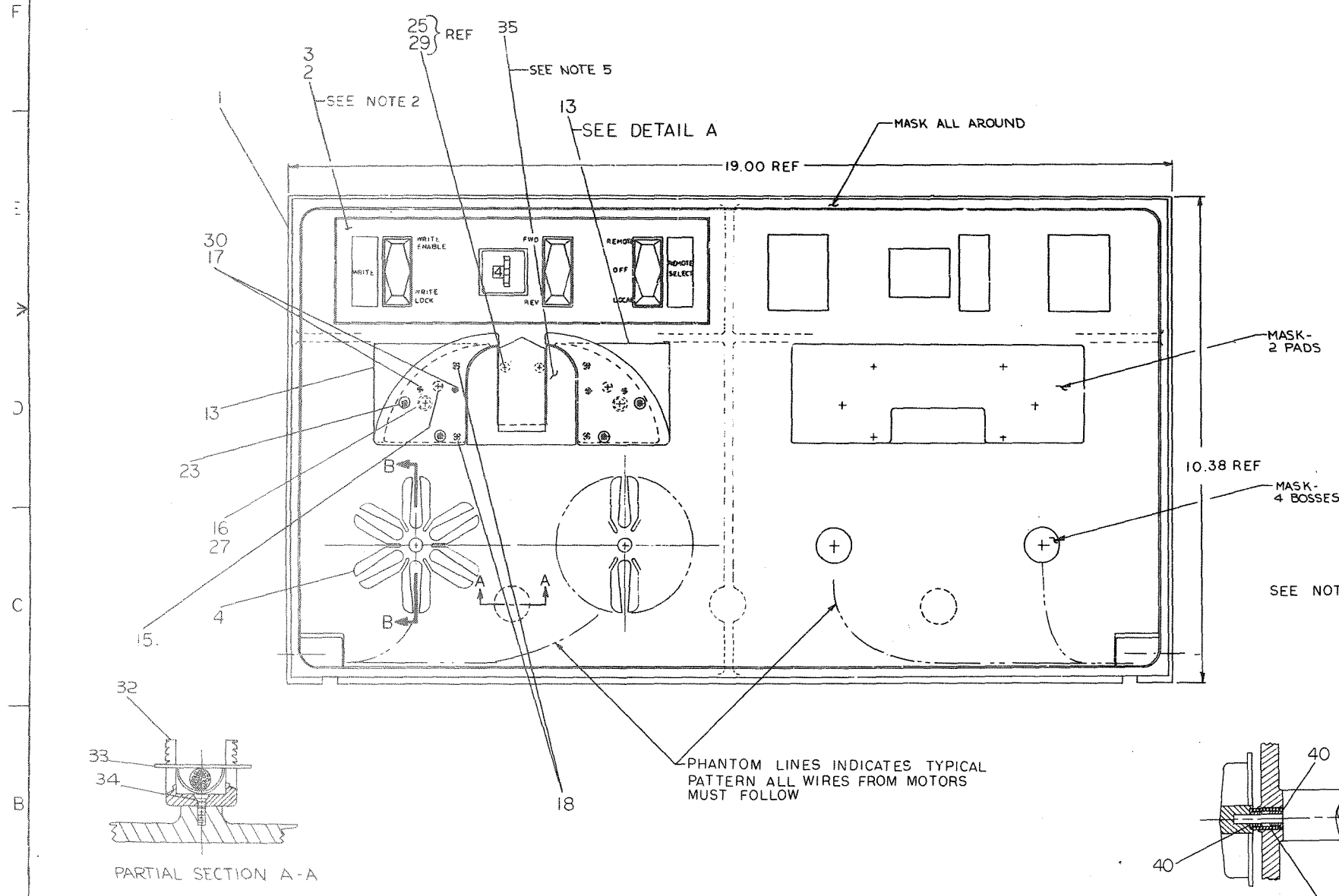
QTY.	DESCRIPTION	PART NO.	ITEM NO.
	PARTS LIST		
	digital EQUIPMENT CORPORATION MAYNARD, MASSACHUSETTS		
	TITLE: SWITCH CONTROL PANEL (TU56)		
	SIZE CODE: DAD	NUMBER: 5408500-0-0	REV: D
	DIST: G		

REV. D
NUMBER 5408500-0-0
SIZE CODE DAD



NUMBER	VARIATION
7006320-1	UNIT AS SHOWN
7006320-2	DOUBLE UNIT

- NOTES
1. POSITION OF ITEM NO. 4 (HUB) MUST BE .017" OUT FROM BOSS ON CASTING. MEASURE WITH GAUGE PART NO. 38.
 2. ASSEMBLE ITEM NO. 2 (OVERLAY) USING ITEM NO. 3 (ADHESIVE)
 3. COAT BOTH SURFACES (REAR SURFACE OF OVERLAY & FRONT SURFACE OF PANEL MTG) & ALLOW A MIN. OF ONE (1) MINUTE DRY TIME BEFORE ASSY. MASK SURFACES AS INDICATED BEFORE APPLYING ADHESIVE TO MTG. PANEL.
 4. ~~BOWEL PINS MUST BE INSERTED WITH TAPERED END FIRST~~
 5. ASSEMBLE ITEM 35 TO FRONT PANEL USING ITEM 2 (APPLY TO REAR SURFACE OF ITEM 35 ONLY)
 6. CRIMP ITEM 36 TO MOTOR LEADS AS SHOWN. INSERT PINS INTO ITEM 37 (PINS MUST ENTER SIDE WITH SQUARE HOLES ONLY)
 7. DO NOT ASSEMBLE ITEM 20 TO FRONT PANEL UNTIL ITEM 39 IS INTO PLACE SO THAT ITEM 20 WILL GO THRU ITEM 39 AT ASSEMBLY.
 8. APPLY CONTACT CEMENT TO BOTTOM TURN OF ITEM 15 BEFORE INSERTING ITEM 15 INTO ITEM 11



CAUTION
CHANGE COULD AFFECT U.L. LISTING

TOLERANCES	DECIMALS
.XXX	± .005
.XX	± .02
.X	± .1

REV	DATE	BY	CHKD	DESCRIPTION
1	11/15/70	J. L. HARRIS	J. L. HARRIS	INITIAL DESIGN
2	11/15/70	J. L. HARRIS	J. L. HARRIS	REVISED TO SHOW MOTOR LEADS
3	11/15/70	J. L. HARRIS	J. L. HARRIS	REVISED TO SHOW MOTOR LEADS
4	11/15/70	J. L. HARRIS	J. L. HARRIS	REVISED TO SHOW MOTOR LEADS
5	11/15/70	J. L. HARRIS	J. L. HARRIS	REVISED TO SHOW MOTOR LEADS
6	11/15/70	J. L. HARRIS	J. L. HARRIS	REVISED TO SHOW MOTOR LEADS
7	11/15/70	J. L. HARRIS	J. L. HARRIS	REVISED TO SHOW MOTOR LEADS
8	11/15/70	J. L. HARRIS	J. L. HARRIS	REVISED TO SHOW MOTOR LEADS
9	11/15/70	J. L. HARRIS	J. L. HARRIS	REVISED TO SHOW MOTOR LEADS
10	11/15/70	J. L. HARRIS	J. L. HARRIS	REVISED TO SHOW MOTOR LEADS
11	11/15/70	J. L. HARRIS	J. L. HARRIS	REVISED TO SHOW MOTOR LEADS
12	11/15/70	J. L. HARRIS	J. L. HARRIS	REVISED TO SHOW MOTOR LEADS
13	11/15/70	J. L. HARRIS	J. L. HARRIS	REVISED TO SHOW MOTOR LEADS
14	11/15/70	J. L. HARRIS	J. L. HARRIS	REVISED TO SHOW MOTOR LEADS
15	11/15/70	J. L. HARRIS	J. L. HARRIS	REVISED TO SHOW MOTOR LEADS
16	11/15/70	J. L. HARRIS	J. L. HARRIS	REVISED TO SHOW MOTOR LEADS
17	11/15/70	J. L. HARRIS	J. L. HARRIS	REVISED TO SHOW MOTOR LEADS
18	11/15/70	J. L. HARRIS	J. L. HARRIS	REVISED TO SHOW MOTOR LEADS
19	11/15/70	J. L. HARRIS	J. L. HARRIS	REVISED TO SHOW MOTOR LEADS
20	11/15/70	J. L. HARRIS	J. L. HARRIS	REVISED TO SHOW MOTOR LEADS
21	11/15/70	J. L. HARRIS	J. L. HARRIS	REVISED TO SHOW MOTOR LEADS
22	11/15/70	J. L. HARRIS	J. L. HARRIS	REVISED TO SHOW MOTOR LEADS
23	11/15/70	J. L. HARRIS	J. L. HARRIS	REVISED TO SHOW MOTOR LEADS
24	11/15/70	J. L. HARRIS	J. L. HARRIS	REVISED TO SHOW MOTOR LEADS
25	11/15/70	J. L. HARRIS	J. L. HARRIS	REVISED TO SHOW MOTOR LEADS
26	11/15/70	J. L. HARRIS	J. L. HARRIS	REVISED TO SHOW MOTOR LEADS
27	11/15/70	J. L. HARRIS	J. L. HARRIS	REVISED TO SHOW MOTOR LEADS
28	11/15/70	J. L. HARRIS	J. L. HARRIS	REVISED TO SHOW MOTOR LEADS
29	11/15/70	J. L. HARRIS	J. L. HARRIS	REVISED TO SHOW MOTOR LEADS
30	11/15/70	J. L. HARRIS	J. L. HARRIS	REVISED TO SHOW MOTOR LEADS
31	11/15/70	J. L. HARRIS	J. L. HARRIS	REVISED TO SHOW MOTOR LEADS
32	11/15/70	J. L. HARRIS	J. L. HARRIS	REVISED TO SHOW MOTOR LEADS
33	11/15/70	J. L. HARRIS	J. L. HARRIS	REVISED TO SHOW MOTOR LEADS
34	11/15/70	J. L. HARRIS	J. L. HARRIS	REVISED TO SHOW MOTOR LEADS
35	11/15/70	J. L. HARRIS	J. L. HARRIS	REVISED TO SHOW MOTOR LEADS
36	11/15/70	J. L. HARRIS	J. L. HARRIS	REVISED TO SHOW MOTOR LEADS
37	11/15/70	J. L. HARRIS	J. L. HARRIS	REVISED TO SHOW MOTOR LEADS
38	11/15/70	J. L. HARRIS	J. L. HARRIS	REVISED TO SHOW MOTOR LEADS
39	11/15/70	J. L. HARRIS	J. L. HARRIS	REVISED TO SHOW MOTOR LEADS
40	11/15/70	J. L. HARRIS	J. L. HARRIS	REVISED TO SHOW MOTOR LEADS
41	11/15/70	J. L. HARRIS	J. L. HARRIS	REVISED TO SHOW MOTOR LEADS
42	11/15/70	J. L. HARRIS	J. L. HARRIS	REVISED TO SHOW MOTOR LEADS
43	11/15/70	J. L. HARRIS	J. L. HARRIS	REVISED TO SHOW MOTOR LEADS
44	11/15/70	J. L. HARRIS	J. L. HARRIS	REVISED TO SHOW MOTOR LEADS

FIRST USED ON OPTION/MODEL	QTY.	DESCRIPTION	PART NO.	ITEM NO.
TU56		PANEL FRONT ASSEMBLY	E AD 7006320-0-0	

UNLESS OTHERWISE SPECIFIED
TOLERANCES DECIMALS
.XXX = ± .005
.XX = ± .02
.X = ± .1

SCALE 1/1

DATE 11/15/70

BY J. L. HARRIS

CHKD J. L. HARRIS

APPROVED J. L. HARRIS

REVISIONS

REV. DATE BY CHKD. APPROVED

1 11/15/70 J. L. HARRIS J. L. HARRIS

2 11/15/70 J. L. HARRIS J. L. HARRIS

3 11/15/70 J. L. HARRIS J. L. HARRIS

4 11/15/70 J. L. HARRIS J. L. HARRIS

5 11/15/70 J. L. HARRIS J. L. HARRIS

6 11/15/70 J. L. HARRIS J. L. HARRIS

7 11/15/70 J. L. HARRIS J. L. HARRIS

8 11/15/70 J. L. HARRIS J. L. HARRIS

9 11/15/70 J. L. HARRIS J. L. HARRIS

10 11/15/70 J. L. HARRIS J. L. HARRIS

11 11/15/70 J. L. HARRIS J. L. HARRIS

12 11/15/70 J. L. HARRIS J. L. HARRIS

13 11/15/70 J. L. HARRIS J. L. HARRIS

14 11/15/70 J. L. HARRIS J. L. HARRIS

15 11/15/70 J. L. HARRIS J. L. HARRIS

16 11/15/70 J. L. HARRIS J. L. HARRIS

17 11/15/70 J. L. HARRIS J. L. HARRIS

18 11/15/70 J. L. HARRIS J. L. HARRIS

19 11/15/70 J. L. HARRIS J. L. HARRIS

20 11/15/70 J. L. HARRIS J. L. HARRIS

21 11/15/70 J. L. HARRIS J. L. HARRIS

22 11/15/70 J. L. HARRIS J. L. HARRIS

23 11/15/70 J. L. HARRIS J. L. HARRIS

24 11/15/70 J. L. HARRIS J. L. HARRIS

25 11/15/70 J. L. HARRIS J. L. HARRIS

26 11/15/70 J. L. HARRIS J. L. HARRIS

27 11/15/70 J. L. HARRIS J. L. HARRIS

28 11/15/70 J. L. HARRIS J. L. HARRIS

29 11/15/70 J. L. HARRIS J. L. HARRIS

30 11/15/70 J. L. HARRIS J. L. HARRIS

31 11/15/70 J. L. HARRIS J. L. HARRIS

32 11/15/70 J. L. HARRIS J. L. HARRIS

33 11/15/70 J. L. HARRIS J. L. HARRIS

34 11/15/70 J. L. HARRIS J. L. HARRIS

35 11/15/70 J. L. HARRIS J. L. HARRIS

36 11/15/70 J. L. HARRIS J. L. HARRIS

37 11/15/70 J. L. HARRIS J. L. HARRIS

38 11/15/70 J. L. HARRIS J. L. HARRIS

39 11/15/70 J. L. HARRIS J. L. HARRIS

40 11/15/70 J. L. HARRIS J. L. HARRIS

41 11/15/70 J. L. HARRIS J. L. HARRIS

42 11/15/70 J. L. HARRIS J. L. HARRIS

43 11/15/70 J. L. HARRIS J. L. HARRIS

44 11/15/70 J. L. HARRIS J. L. HARRIS

DIGITAL EQUIPMENT CORPORATION MAYNARD, MASSACHUSETTS PARTS LIST				QUANTITY/VARIATION																
MADE BY KEN GULICK		CHECKED D. HEALY		SECTION		7006320-1	7006320-2													
DATE 6/5/69		DATE 7/23/69		1																
ENG <i>Challant</i>		PROD <i>C.R. Thompson</i>		ISSUED SECT.																
DATE 8-26-69		DATE 8-26-69		1																
ITEM NO.	DWG NO. / PART NO.	DESCRIPTION																		
1	E-MD-7407395-0-0	PANEL MTG (TU56)		1	1															
2	D-IA-7410968-0-0	PANEL OVERLAY		1	1															
3		ADHESIVE SCOTCH GRIP SPRAY #77		A	RA	R														
4	C-IA-7407390-0-0	HUB ASSY (6 PT CONTACT)		2	4															
5	9006341-08	SCR SOC HD CAP 10 24 X 1/2 BLK PASS.		8	16															
6	C-MD-7407282-2-0	COVER PLATE (L.H.)		1	2															
7	C-IA-7407283-2-0	TAPE GUIDE (L.H.)		1	2															
8	1209602	MOTOR, TORQUE		2	4															
9	D-IA-7006222-0-0	SWITCH CONTROL PANEL ASS'Y		1	2															
10	C-IA-7407283-1-0	TAPE GUIDE (R.H.)		1	2															
11	C-MD-7407282-1-0	COVER PLATE (R.H.)		1	2															
12	1209691	HEAD ASSY		1	2															
13	C-MD-7405136-0-0	REAR CHECK TAPE GUIDE		2	4															
14	B-MD-7405114-0-0	WEAR PLATE		2	4															
15	1211821	SPR #711-22-X INST SPEC. CO.		2	4															
16	9006345-08	SCR SOC HD CAP #10-32 X 3/8 SST		2	4															
17	9008132	DOWEL PIN 3/32 DIA X 7/16 LG		4	8															
18	9008131	DOWEL PIN 1/8 DIA X 7/8 LG		4	8															
19	B-MD-7405114-2-0	WEAR PLATE (L.H.)		1	2															
20	9008130	DOWEL PIN 1/4 DIA X 1 1/4		2	2															
21	90-07785	GRIP. EXT SER #5555-37 WALDES 3/8" SHAFT		2	2															
22	B-MD-7407400-0-0	PIN, LOCK		2	2															
TITLE PANEL FRONT, ASSEMBLY				ASSY NO. E-AD-7006320-0-0		SIZE CODE A PL		NUMBER 7006320-0-0				REV. P		ECO NO. TU56-00084						
SHEET 1 OF 2				DIST. C																

DEC FORM NO.

DIGITAL EQUIPMENT CORPORATION MAYNARD, MASSACHUSETTS PARTS LIST				QUANTITY/VARIATION																
MADE BY KEN GULICK		CHECKED D. HEALY		SECTION		7006320-1	7006320-2													
DATE 6/5/69		DATE 7/25/69		1																
ENG <i>Challant</i>		PROD <i>C.R. Thompson</i>		ISSUED SECT.																
DATE 8-26-69		DATE 8-26-69		1																
ITEM NO.	DWG NO. / PART NO.	DESCRIPTION																		
23	9006331-08	SCR SOC HD CAP 6-32 X 5/8 LG BLK PASS.		4	8															
24	C-MD-7405136-1-0	REAR CHECK TAPE GUIDE L.H.		2	4															
25	9006632	WASH INT TOOTH #4		2	4															
26	9007032	TIE WRAP #SST-2-B PANDUIT		A	RA	R														
27	9007651	WASH EXT TOOTH #10 HOLE		10	20															
28	9006022-1	SCR, PH HD PAN #6-32 X 3/8 SST		4	8															
29	9006014-1	SCR PH HD PAN #4-40 X 5/8 LG SST		2	4															
30	9008136	GRIP RING EXT SERIES G 5555-95		4	8															
31	9006311	HEX SOC SET SCR #10-32 X 1/4 SST		4	8															
32	90 07772-9	CLAMP, CABLE BASE		1	2															
33	90 07772-10	CLAMP, CABLE TOP		1	2															
34	90-06037-2	SCREW FLAT HEAD #8-32 x 3/8 Lg SST		1	2															
35	C-IA-7408008-0-0	FILLER PLATE		1	2															
36	1209378	PIN, CONNECTOR		8	16															
37	1209354-09	HOUSING, CONNECTOR		1	2															
38	C-IA-7408010-0-0	GAUGE, HUB		A	RA	R														
39	C-MD-1209830	ARM, PANEL SUPPORT		2	2															
40	1209926	BUSHING, OIL IMPREGNATED BRONZE		4	8															
41	1209917	SPRING, COMPRESSION		2	4															
42	C-MD-7408287-0-0	GUARD PLATE		1	2															
43	90-06024-1	SCR, PH HD PAN #6-32 x 1/2 SST		2	4															
44	90-06793	SPACER 3/16AF X 3/16LG #6 HOLE AL		2	4															
TITLE PANEL FRONT ASSEMBLY				ASSY NO. E-AD-7006320-0-0		SIZE CODE A PL		NUMBER 7006320-0-0				REV. P		ECO NO.						
SHEET 2 OF 2				DIST. G																

DEC FORM NO.
DRA 1